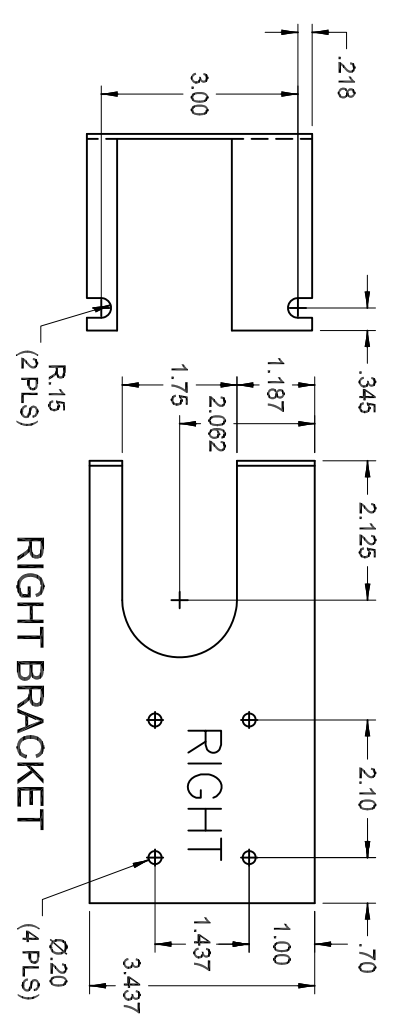
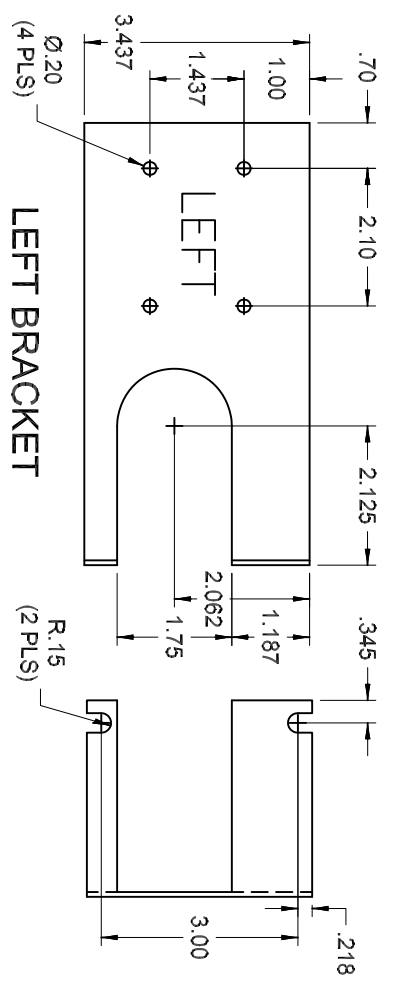


REVISION HISTORY			
REV/SHT	DESCRIPTION	DATE	ECN/CHECKED
A / ALL	RELEASE NEW	3/11/98	NEW / R89



NOTES: UNLESS OTHERWISE SPECIFIED,
 1. PART NUMBER COMES WITH 1 SET EACH OF LEFT & RIGHT BRACKETS.

THIRD ANGLE PROJECTION	MATERIAL: 14 GA CRS	FINISH: POWDER COAT. BLACK	PER SMP SPEC# 100025
CRITICAL DIMENSION CODE	UNLESS OTHERWISE SPECIFIED DIMENSIONS ARE IN INCHES. TOLERANCES: FRACTIONS ±1/32" ANGLES ±1/2° 3 PLACE DECIMALS ±.01" 2 PLACE DECIMALS ±.01"	PROPERTY OF OPTICAL CABLE CORPORATION AND MAY NOT BE USED AS THE BASIS FOR MANUFACTURE OR SALE WITHOUT SPECIFIC WRITTEN PERMISSION OF OPTICAL CABLE CORPORATION.	DRAWN: E.WETTL
OCCT	DATE: 3/11/96	CHECKED: R.B.SMITH	DATE: 3/11/96
OCCT	DATE: 3/11/96	ENGINEER: R.B.SMITH	DATE: 3/11/96
OCCT	DATE: 3/11/96	APPROVED: J.HOWE	DATE: 3/11/96
OCCT	DATE: 3/11/96	PREVIOUS DWG	DATE: 3/11/96
OCCT	DATE: 3/11/96	NEXT DWG	DATE: 3/11/96
OCCT	DATE: 3/11/96	FILENAME: C101488A.DFT	DATE: 3/11/96
OCCT	DATE: 3/11/96	SCALE: NONE	DATE: 3/11/96
OCCT	DATE: 3/11/96	SHEET: 1 OF 1	DATE: 3/11/96

UNCONTROLLED COPY

BKTR23/1836B
 BKTR23/1836A

BRACKET, FLUSH MOUNT, RTC18/36, 23", BLACK
 BRACKET, FLUSH MOUNT, RTC18/36, 23", ALMOND

OCCT
 OPTICAL CABLE CORPORATION
 5290 Concourse Drive
 Roanoke, VA 24019
 Phone: 800-622-7711
 Fax: 540-265-0724
 www.occtfiber.com

BRACKET, FLUSH MOUNT,
 RTC18/36, 23" MOUNTING