

SPECIFICATIONS

FEATURES/MATERIALS:

- LOCKING CUSTOM COLOR/ICON BEZELS PROVIDE DISTINCTIVE JACK IDENTIFICATION.
- CUSTOM BEZELS ARE AVAILABLE IN A WIDE VARIETY OF COLORS AND ICONS.
- BEZELS ARE CONSTRUCTED OF HIGH IMPACT SELF EXTINGUISHING, RATED 94V-0.

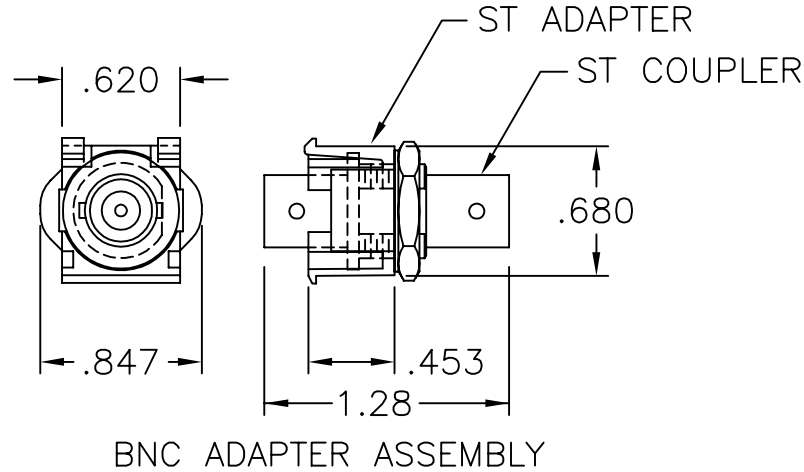
OPTIONAL COLOR BEZELS CAN BE ORDERED BY REPLACING "XX" WITH COLOR CODE.
EXAMPLE: AABNC02 = BLACK

BEZEL COLOR CHART

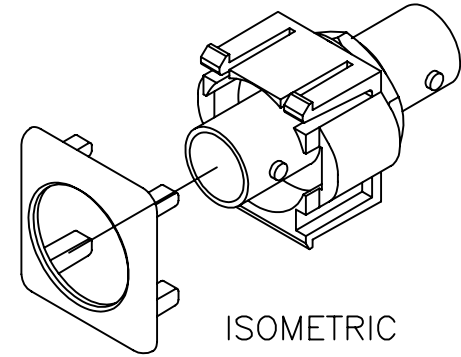
00 ELECTRICAL IVORY	06 DATA GRAY
01 OFFICE WHITE	07 WHITE
02 BLACK	08 ORANGE
03 RED	09 YELLOW
04 GREEN	10 PURPLE
05 BLUE	11 BROWN

PROPOSED EIA/TIA 606 COLOR CODED IDENTIFICATION SYSTEM

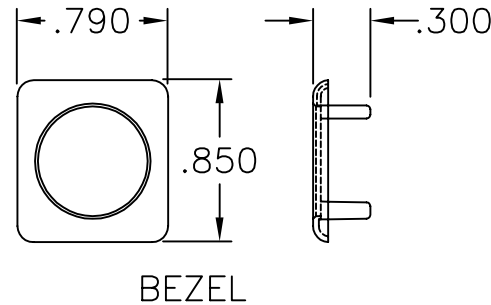
TERMINATION TYPE	COLOR	SUPERIOR COLOR CODE
DEMARCATON POINT	ORANGE	08
NETWORK COMMUNICATIONS	GREEN	04
COMMON EQUIPMENT	PURPLE	10
FIRST LEVEL BACKBONE	WHITE	07
SECOND LEVEL BACKBONE	GRAY	06
STATION	BLUE	05
INTERBUILDING BACKBONE	BROWN	11
MISCELLANEOUS	YELLOW	09
KEY TELEPHONE SYSTEMS	RED	03



BNC ADAPTER ASSEMBLY



ISOMETRIC



BEZEL

AABNC11	AXCESS ADAPTER, BNC, BROWN
AABNC10	AXCESS ADAPTER, BNC, PURPLE
AABNC09	AXCESS ADAPTER, BNC, YELLOW
AABNC08	AXCESS ADAPTER, BNC, ORANGE
AABNC07	AXCESS ADAPTER, BNC, WHITE
AABNC06	AXCESS ADAPTER, BNC, GRAY
AABNC05	AXCESS ADAPTER, BNC, BLUE
AABNC04	AXCESS ADAPTER, BNC, GREEN
AABNC03	AXCESS ADAPTER, BNC, RED
AABNC02	AXCESS ADAPTER, BNC, BLACK
AABNC01	AXCESS ADAPTER, BNC, OFF. WHITE
AABNC00	AXCESS ADAPTER, BNC, ELEC. IVORY
OCC PART NO.	DESCRIPTION

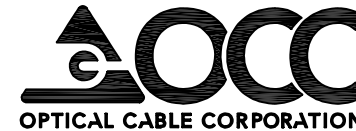


Made in the USA

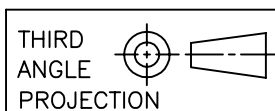
UNCONTROLLED COPY

UNLESS OTHERWISE SPECIFIED
DIMENSIONS ARE IN INCHES
TOLERANCES:
FRACTIONS $\pm 1/32$ "
ANGLES $\pm 1/2$ "
3 PLACE DECIMALS $\pm .005$ "
2 PLACE DECIMALS $\pm .01$ "

THIS DRAWING AND THE DESIGN SHOWN ARE THE
PROPERTY OF OPTICAL CABLE CORPORATION
AND MAY NOT BE USED AS THE BASIS FOR MANU-
FACTURE OR SALE WITHOUT SPECIFIC WRITTEN
PERMISSION OF OPTICAL CABLE CORPORATION.



5290 Concourse Drive
Roanoke, VA 24019
Phone: 800-622-7711
Fax: 540-265-0724
www.occfiber.com



THIRD
ANGLE
PROJECTION

MATERIAL
CATEGORY: THERMOPLASTIC
COLOR SPECIFICATION
OCC DRAWING# 100004

DRAWN BY	D.A.HOLBERT	DATE	7/30/01
CHECKED BY	R.B.SMITH	DATE	12/30/01
ENGINEER	J.YANIK	DATE	7/30/01
APPROVED	H.JOHNSON	DATE	2/22/10
PREVIOUS DWG			
NEXT DWG			

DWG TITLE

BEZEL KIT, BNC SNAP-IN
ADAPTER & BEZEL

CRITICAL DIMENSION CODE
ⓕ = FUNCTION
Ⓜ = MATING
Ⓐ = AUDIT

FINISH
MOLD TECH 11020 ETCH
FACE REMAINDER AS
MACHINED

SIZE
A

DWG NO.

C101564

REV
A

SCALE NONE

SHEET 1 OF 1

FILENAME C101564A.DWG