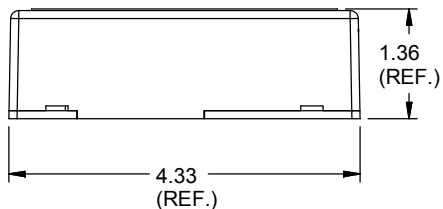
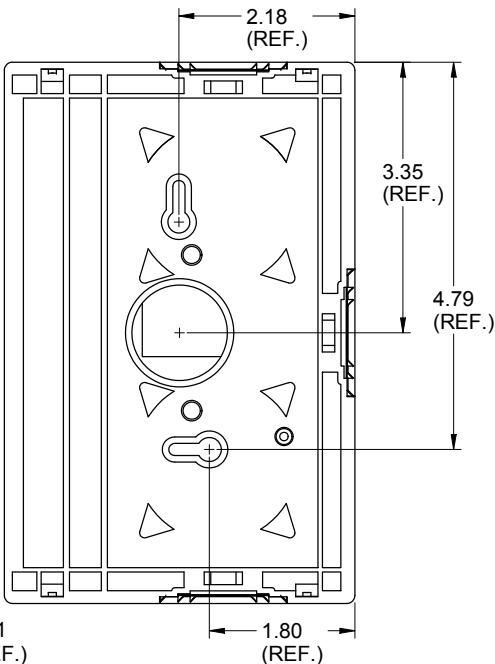


TOP VIEW

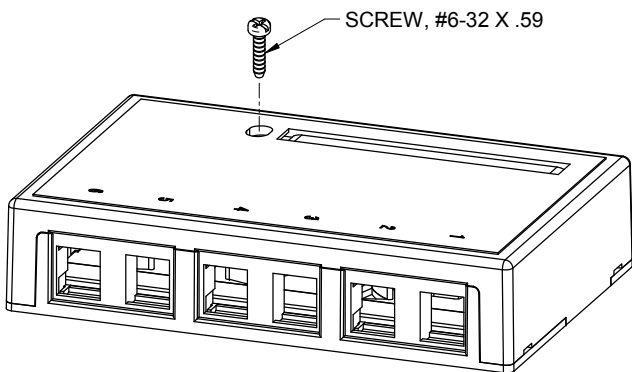


.576 (REF.)

FRONT VIEW



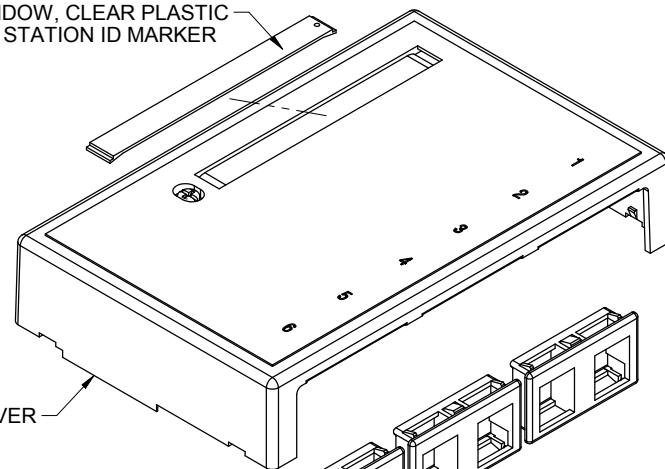
BOTTOM VIEW



ISOMETRIC VIEW

"OPTICAL CABLE CORPORATION (OCC)
RESERVES THE RIGHT TO REVISE ANY
AND ALL DESIGN SPECIFICATIONS."
UNCONTROLLED COPY

WINDOW, CLEAR PLASTIC
with STATION ID MARKER



ADAPTER/KMJ PLATE
STANDARD KMJ MOUNT

BASE

EXPLODED VIEW

SPECIFICATIONS

MATERIALS:

- HIGH-IMPACT RIGID PVC RATED 94V-0

FEATURES:

- SUPPORTS (6) KMJ STYLE JACKS OR INSERTS.
- ACCOMMODATES UP TO .350" CABLE O.D.
- SUPPLIED HARDWARE KIT INCLUDES:
 - (2) SCREWS, #6-32 X 3/4", COMBO PH, PHILLIPS
 - (1) SCREW, #6-32 X .59", COMBO PH, PHILLIPS
 - (3) CABLE TIE WRAPS, 6"
 - (1) CLEAR PLASTIC WINDOW
 - (1) ID LABEL, WHITE
 - (2) ADHESIVE DBL-SIDED TAPES, 2 1/4 X 3/4"

CODE & COMPLIANCE:

- UL LISTED
- RoHS COMPLIANT

SMEK612	SURFACE MOUNT ENCL, 6 PORT, KMJ MTG, BRIGHT WHITE
SMEK601	SURFACE MOUNT ENCL, 6 PORT, KMJ MTG, OFFICE WHITE
SMEK600	SURFACE MOUNT ENCL, 6 PORT, KMJ MTG, ELEC. IVORY

OCC PART NO.	DESCRIPTION
<small>UNLESS OTHERWISE SPECIFIED DIMENSIONS ARE IN INCHES. TOLERANCES: FRACTIONS ±1/32 ANGLES ±1/2° 3 PLACE DECIMALS ±.005" 2 PLACE DECIMALS ±.01"</small>	
<small>THIS DRAWING AND THE DESIGN SHOWN ARE THE PROPERTY OF OPTICAL CABLE CORPORATION AND MAY NOT BE USED AS THE BASIS FOR MANUFACTURE OR SALE WITHOUT SPECIFIC WRITTEN PERMISSION OF OPTICAL CABLE CORPORATION.</small>	
<small>MATERIAL SEE BILL OF MATERIAL</small>	<small>DRAWN D.A.HOLBERT DATE 2/4/05</small>
<small>CHECKED R.B.SMITH DATE 2/7/05</small>	<small>ENGINEER J.YANIK DATE 2/4/05</small>
<small>APPROVED J.CALLOWAY DATE 8/12/20</small>	<small>PREVIOUS DWG</small>
<small>FILENAME C107174D.dft</small>	<small>SCALE: NONE SHEET 1 OF 1</small>



33 Superior Way
Swannanoa, NC 28778
Phone: 828-298-2260
Fax: 828-298-2487
www.occfiber.com

DWG TITLE
**SURFACE MOUNT ENCLOSURE,
6 PORT, KMJ MOUNTING**

SIZE C DWG NO. **C107174** REV D

THIRD ANGLE PROJECTION

CRITICAL DIMENSION CODE

(F) = FUNCTION
(M) = MATING
(A) = AUDIT

PROPRIETARY AND CONFIDENTIAL