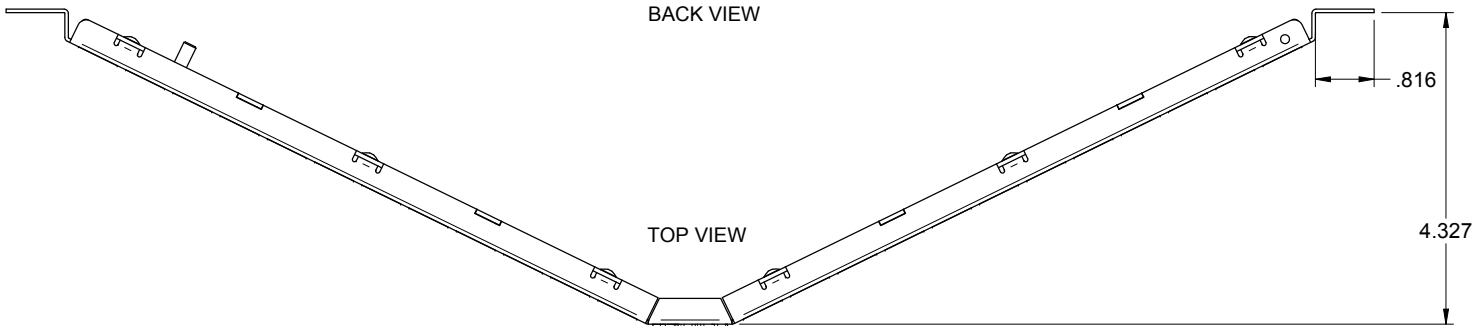
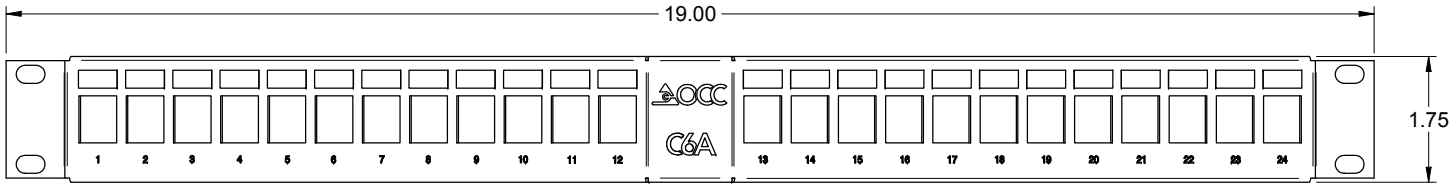
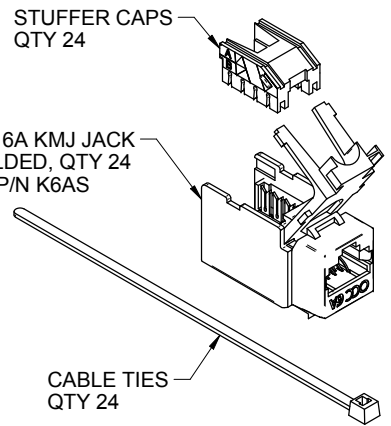


BACK VIEW

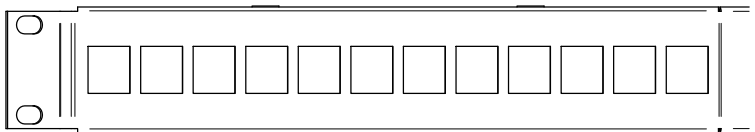


TOP VIEW

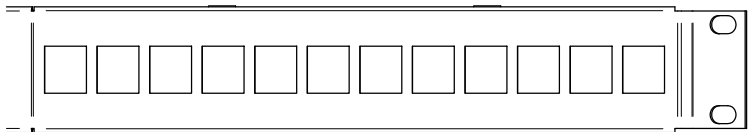
"OPTICAL CABLE CORPORATION (OCC) RESERVES THE RIGHT TO REVISE ANY AND ALL DESIGN SPECIFICATIONS."



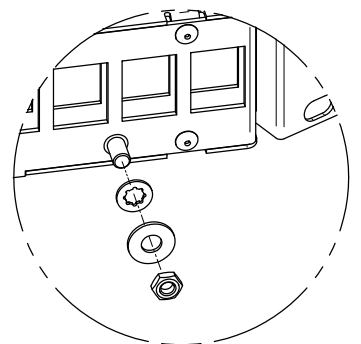
FRONT VIEW



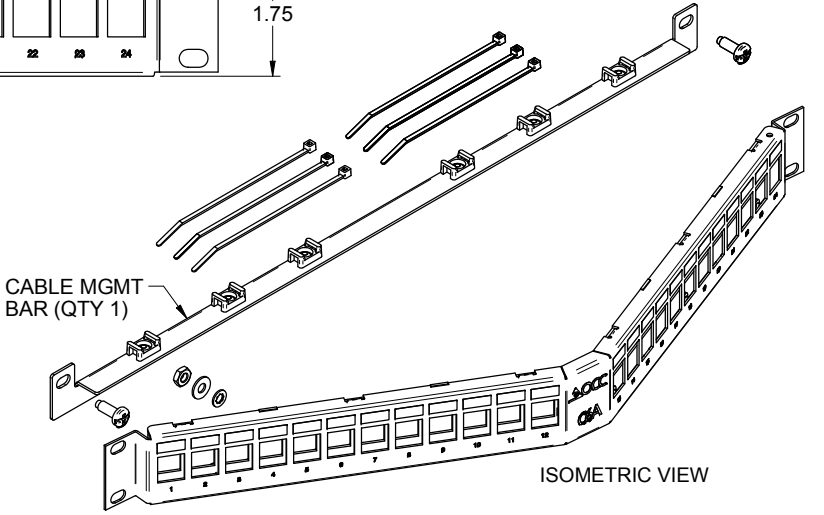
LEFT PANEL FRONT



RIGHT PANEL FRONT



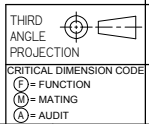
GROUND LUG with HARDWARE



ISOMETRIC VIEW

NOTES: UNLESS OTHERWISE SPECIFIED.  
 1. PRODUCT APPROVAL REQUIRES CERTIFICATION OF COMPLIANCE TO E.U. RoHS DIRECTIVE 2002/95/EC.

**UNCONTROLLED COPY**



ACC2488/1106A-S		PATCH PANEL, ANGLED, C6A, 24P, KMJ MTG, STP, OCC	
OCC PART NO.		DESCRIPTION	
UNLESS OTHERWISE SPECIFIED, DIMENSIONS ARE IN INCHES. TOLERANCES: FRACTIONS ±1/32" ANGLES ±1/2° 3 PLACE DECIMALS ±.005" 2 PLACE DECIMALS ±.01"		THIS DRAWING AND THE DESIGN SHOWN ARE THE PROPERTY OF OPTICAL CABLE CORPORATION AND MAY NOT BE USED AS THE BASIS FOR MANUFACTURE OR SALE WITHOUT SPECIFIC WRITTEN PERMISSION OF OPTICAL CABLE CORPORATION.	
MATERIAL CRS, 16 GA. .0598" THK.	FINISH BLACKPOWDER COAT PER OCC SPEC 100025	DRAWN D.A.HOLBERT	DATE 4/15/11
CHECKED R.B.SMITH	DATE 4/17/11	ENGINEER J.YANIK	DATE 4/15/11
APPROVED J.CALLOWAY	DATE 3/6/15	PREVIOUS DWG	FILENAME C110718C.dft
NEXT DWG		SCALE NONE	SHEET 1 OF 1
DWG TITLE ASSEMBLY, PATCH PANEL, ANGLED, ACC2488/1106A-S		SIZE C	DWG NO. <b>C110718</b>
		REV C	

