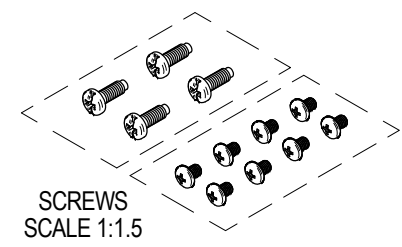
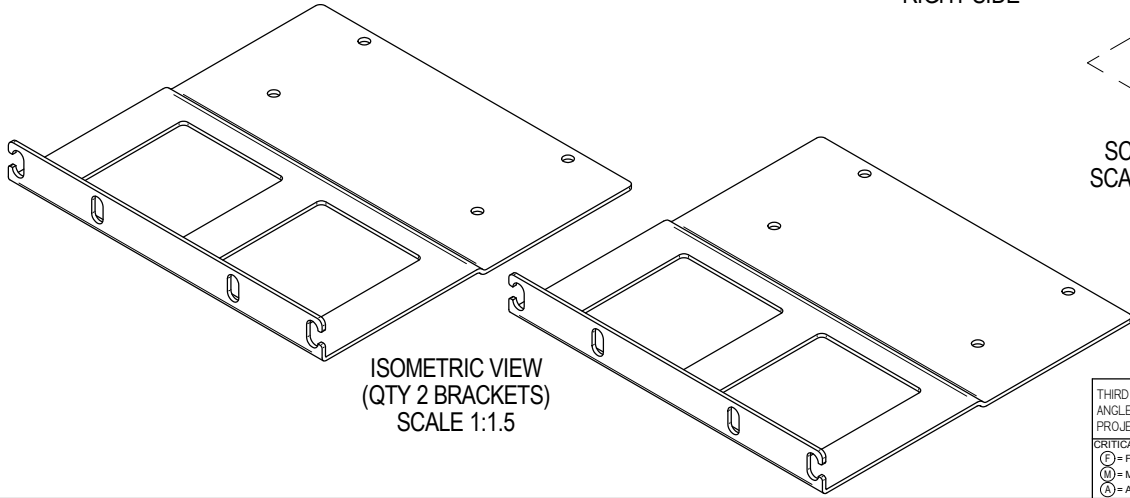
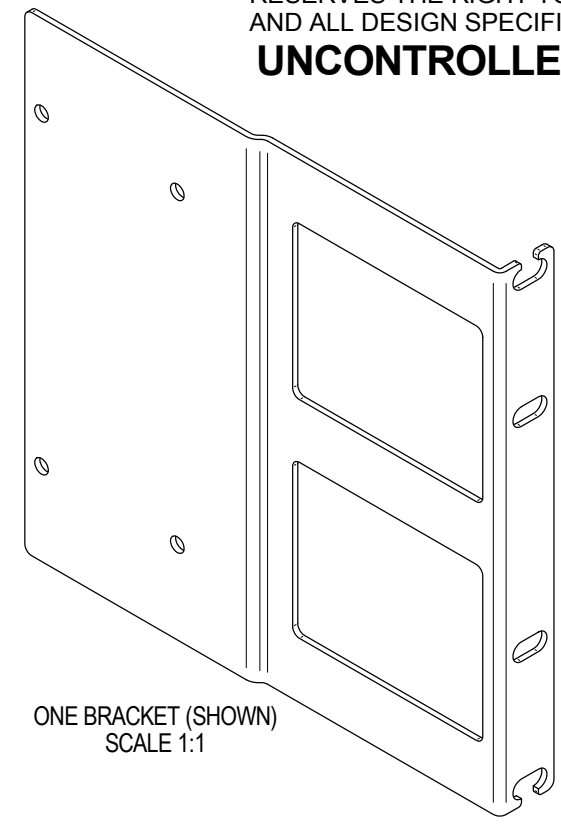


"OPTICAL CABLE CORPORATION (OCC)
 RESERVES THE RIGHT TO REVISE ANY
 AND ALL DESIGN SPECIFICATIONS."
UNCONTROLLED COPY



NOTES: UNLESS OTHERWISE SPECIFIED.

1. MTG BRACKET KIT INCLUDES:
- (QTY 2) 19" FLUSH RTC/RTS 4U BRACKETS
 - RACK MOUNTING SCREWS
 (QTY 4) #12-24 X 5 / 8", PH, COMBO, BLACK
 - BRACKET MOUNTING SCREWS
 (QTY 8) #10-32 X 1 / 4", PH, PHILLIPS, BLACK

BKTR4UB	MTG BRACKET KIT, 19" FLUSH RTC/RTS, 4U, BLACK
OCC PART NO.	DESCRIPTION

UNLESS OTHERWISE SPECIFIED DIMENSIONS ARE IN INCHES. TOLERANCES: FRACTIONS ±1/32" ANGLES ±1/2° 3 PLACE DECIMALS ±.005" 2 PLACE DECIMALS ±.01"		THIS DRAWING AND THE DESIGN SHOWN ARE THE PROPERTY OF OPTICAL CABLE CORPORATION AND MAY NOT BE USED AS THE BASIS FOR MANUFACTURE OR SALE WITHOUT SPECIFIC WRITTEN PERMISSION OF OPTICAL CABLE CORPORATION.	
MATERIAL 14 GAGE CRS	FINISH BLACK POWDER COAT	CHECKED J.HOWE	DATE 8/11/14
THIRD ANGLE PROJECTION	ENGINEER J.YANIK	DATE 6/4/14	DATE 9/11/20
CRITICAL DIMENSION CODE	APPROVED J.CALLOWAY	PREVIOUS DWG	NEXT DWG
⊕ = FUNCTION	⊖ = MATING	⊙ = AUDIT	

 OPTICAL CABLE CORPORATION		33 Superior Way Swainsona, NC 28778 Phone: 828-298-2260 Fax: 828-298-2487 www.occfiber.com	
DWG TITLE MTG BRACKET KIT, 19" FLUSH, RTC/RTS, 4UNIT			
SIZE C	DWG NO. C111912	REV B	
FILENAME C111912B.dft	SCALE 1:1	SHEET 1 OF 1	

PROPRIETARY AND CONFIDENTIAL