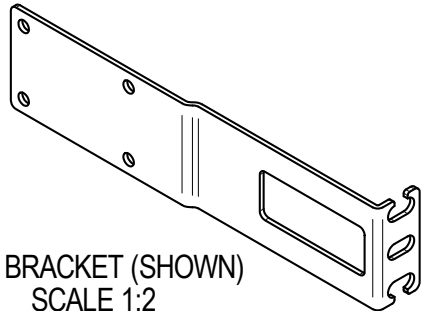
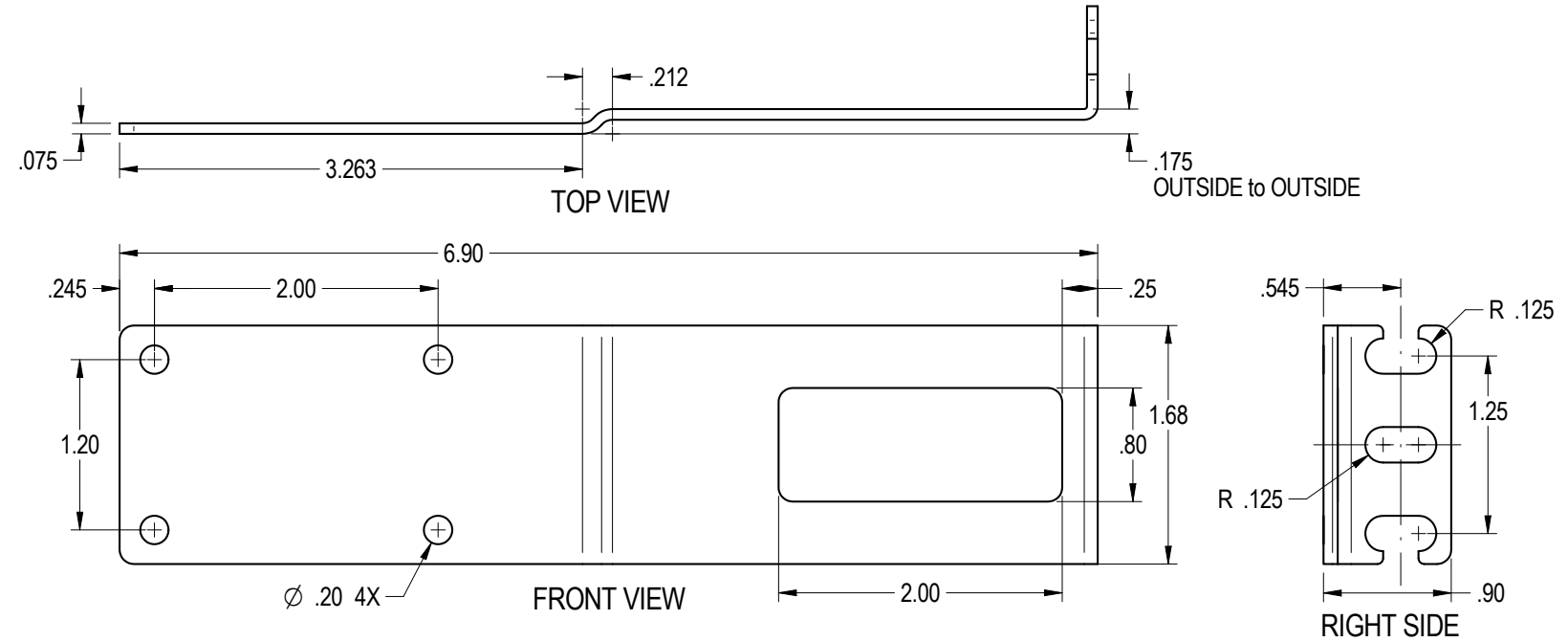


"OPTICAL CABLE CORPORATION (OCC)
RESERVES THE RIGHT TO REVISE ANY
AND ALL DESIGN SPECIFICATIONS."

UNCONTROLLED COPY



ONE BRACKET (SHOWN)
SCALE 1:2

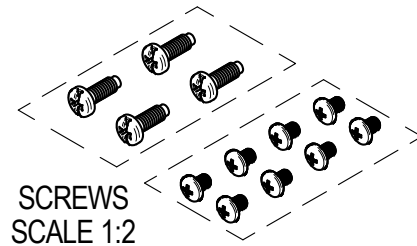
NOTES: UNLESS OTHERWISE SPECIFIED.

1. MTG BRACKET KIT INCLUDES:

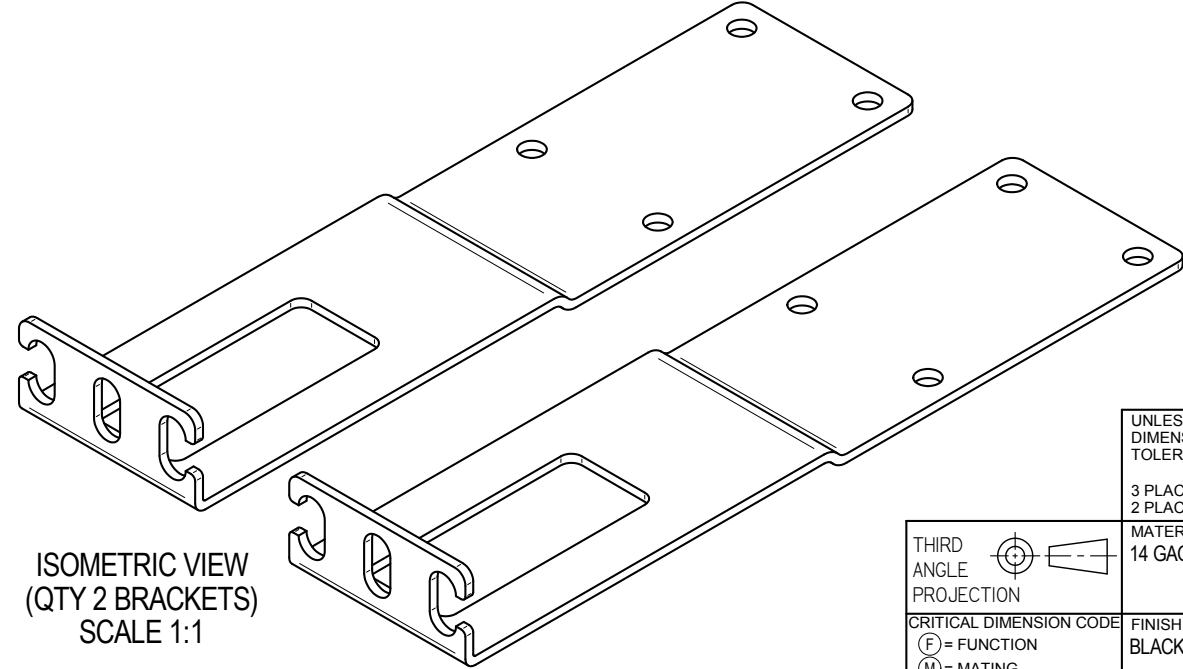
(QTY 2) 19" FLUSH RTC/RTS 1U BRACKETS

RACK MOUNTING SCREWS
(QTY 4) #12-24 X 5/8", PH, COMBO, BLACK

BRACKET MOUNTING SCREWS
(QTY 8) #10-32 X 1/4", PH, PHILLIPS, BLACK



SCREWS
SCALE 1:2



ISOMETRIC VIEW
(QTY 2 BRACKETS)
SCALE 1:1

BKTR1UB	MTG BRACKET KIT, 19" FLUSH RTC/RTS, 1U, BLACK
OCC PART NO.	DESCRIPTION

UNLESS OTHERWISE SPECIFIED DIMENSIONS ARE IN INCHES. TOLERANCES: FRACTIONS ±1/32" ANGLES ±1/2° 3 PLACE DECIMALS ±.005" 2 PLACE DECIMALS ±.01"	MATERIAL	14 GAGE CRS	FINISH	BLACK POWDER COAT
	THIRD ANGLE PROJECTION		CHECKED	J.HOWE
			ENGINEER	J.YANIK
			APPROVED	J.CALLOWAY
		PREVIOUS DWG		
		NEXT DWG		



33 Superior Way
Swannanoa, NC 28778
Phone: 828-298-2260
Fax: 828-298-2487
www.occfiber.com

DWG TITLE			MTG BRACKET KIT, 19" FLUSH, RTC/RTS, 1UNIT	
SIZE	DWG NO.	REV		
B	C111927	A		
SCALE:	1:1	SHEET	1 OF 1	

THIRD ANGLE PROJECTION	
CRITICAL DIMENSION CODE	
(F) = FUNCTION	
(M) = MATING	
(A) = AUDIT	

PROPRIETARY AND CONFIDENTIAL