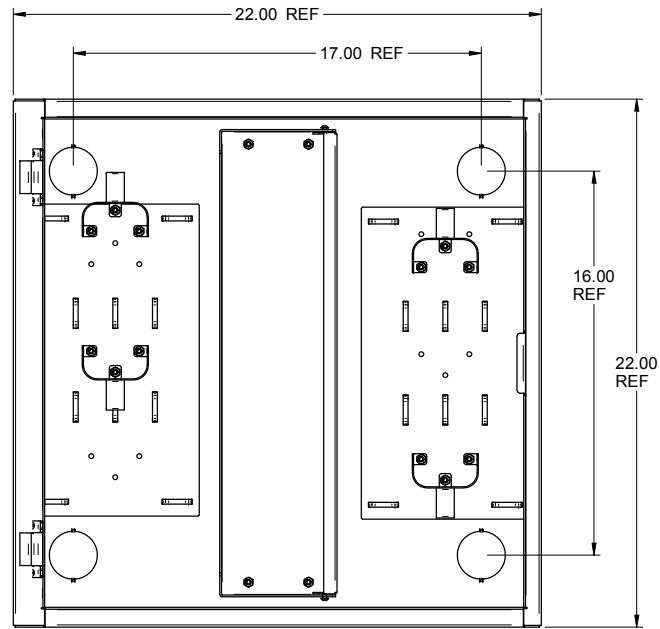
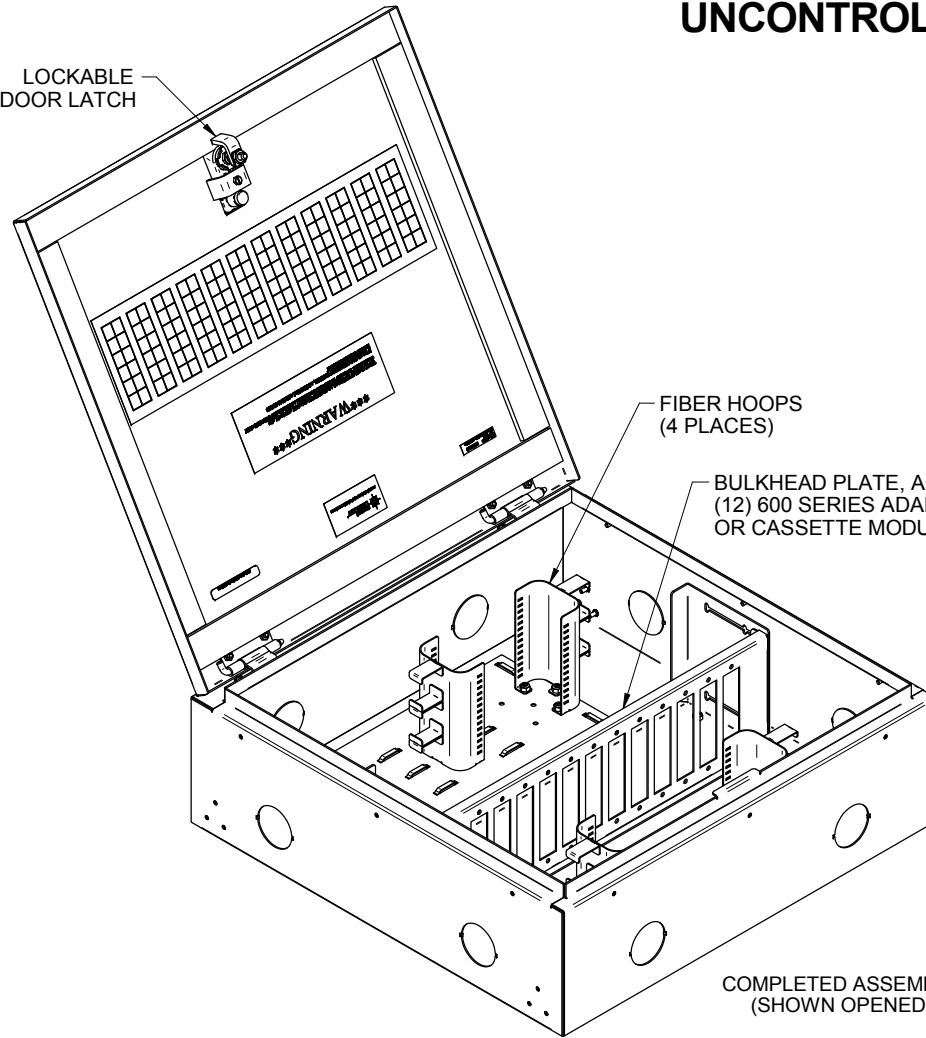


"OPTICAL CABLE CORPORATION (OCC)
RESERVES THE RIGHT TO REVISE ANY
AND ALL DESIGN SPECIFICATIONS."
UNCONTROLLED COPY

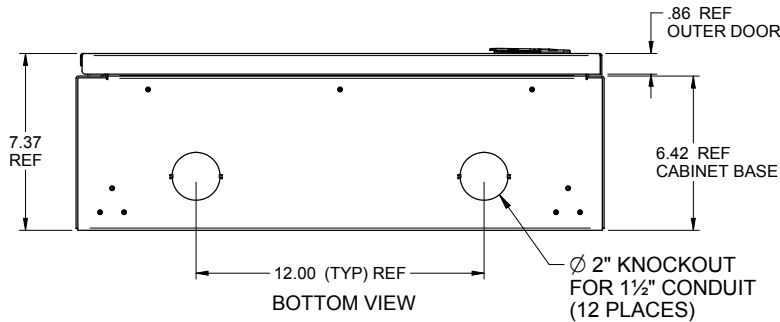


FRONT VIEW
(OUTER DOOR, NOT SHOWN)

LOCKABLE
DOOR LATCH



COMPLETED ASSEMBLY
(SHOWN OPENED)



BOTTOM VIEW

ACCESSORIES INCLUDED:

- MOUNTING BRACKETS (QTY 4)
- CABLE ENTRY/EXIT BUSHINGS (QTY 2)
- MOUNTING BRACKET SCREWS (QTY 12)

UL 1863 TELECOMMUNICATIONS CIRCUIT ACCESSORY
UL 2043 CERTIFIED FOR ACCESSORIES INSTALLED IN AIR-HANDLING SPACES

ZED12AP		ZONE ENCLOSURE, DEEP, 12 ADAPTER PLATE PORTS	
OCC PART NUMBER	DESCRIPTION		
UNLESS OTHERWISE SPECIFIED DIMENSIONS ARE IN INCHES. TOLERANCES: FRACTIONS ±1/32 ANGLES ±1/2° 3 PLACE DECIMALS ±.015" 2 PLACE DECIMALS ±.03"		THIS DRAWING AND THE DESIGN SHOWN ARE THE PROPERTY OF OPTICAL CABLE CORPORATION AND MAY NOT BE USED AS THE BASIS FOR MANUFACTURE OR SALE WITHOUT SPECIFIC WRITTEN PERMISSION OF OPTICAL CABLE CORPORATION.	
MATERIAL 16 GA. CRS	FINISH WHITE POWDERCOAT	DRAWN D.A.HOLBERT	DATE 7/23/14
CHECKED J.HOWE	DATE 9/4/14	DWG TITLE ZONE ENCLOSURE, DEEP CABINET ASSEMBLY	
ENGINEER J.YANIK	DATE 7/23/14	SIZE C	DWG NO. C111937
APPROVED J.CALLOWAY	DATE 2/6/18	SCALE NONE	REV C
PREVIOUS DWG	FILENAME C111937C.dft	SHEET 1 OF 1	
NEXT DWG			

