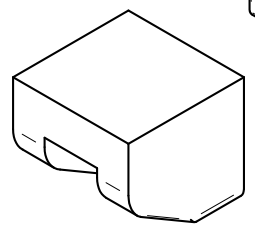
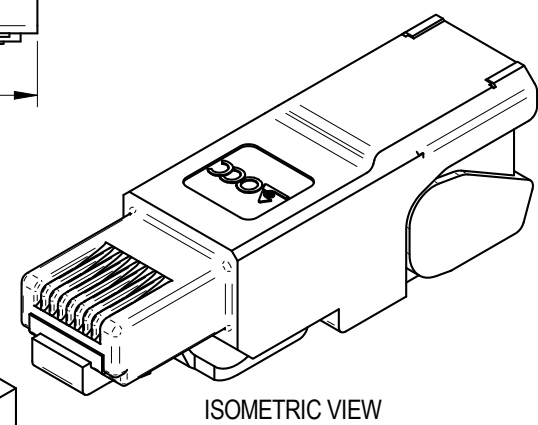
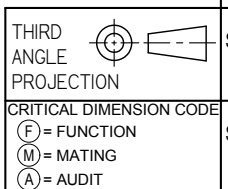


"OPTICAL CABLE CORPORATION (OCC)
RESERVES THE RIGHT TO REVISE ANY
AND ALL DESIGN SPECIFICATIONS."
UNCONTROLLED COPY



NOTES: UNLESS OTHERWISE SPECIFIED.

- PRODUCT APPROVAL REQUIRES CERTIFICATION OF COMPLIANCE TO E.U. RoHS DIRECTIVE 2002/95/EC
- PERFORMANCE CHARACTERISTICS:**
 - CATEGORY 6A: ISO/IEC 11801:2010 COMPLIANT
 - CATEGORY 6A: ANSI/TIA-568-C.2
 - PLUG: IEC 60603-7-41
 - LIFE: ≥ 750 MATING CYCLES
 - CONTACT FINISH MATERIAL: HARD Au OVER Ni
 - SHIELDING HOUSING MATERIAL: DIE-CAST NICKEL-PLATED ZINC
 - COPPER CONDUCTOR GAUGE: SOLID: 24 - 22 AWG
STRANDED: 22/7 - 27/7 AWG
 - COPPER CONDUCTOR INSULATION DIAMETER: .0039" - .063"
 - OVERALL CABLE JACKET DIAMETER: .196" - .354"
 - IDC LIFE: £ 4 CYCLES
 - TEMPERATURE RANGE: -40°C - 85°C
 - POWER OVER ETHERNET PLUS (PoE+) IN ACCORDANCE WITH IEEE 802.3at
 - UL 1863 COMMUNICATIONS-CIRCUIT ACCESSORIES
 - UL 2043 CERTIFICATION FOR USE IN AIR HANDLING SPACES



UNLESS OTHERWISE SPECIFIED DIMENSIONS ARE IN INCHES.
TOLERANCES: FRACTIONS ±1/32"
ANGLES ±1/2°
3 PLACE DECIMALS ±.005"
2 PLACE DECIMALS ±.01"

MATERIAL: SEE NOTES
FINISH: SEE NOTES

OCCSFP6A		PLUG, CAT6A, T568B, STP, FIELD TERMINABLE	
OCC PART NO.		DESCRIPTION	
THIS DRAWING AND THE DESIGN SHOWN ARE THE PROPERTY OF OPTICAL CABLE CORPORATION AND MAY NOT BE USED AS THE BASIS FOR MANUFACTURE OR SALE WITHOUT SPECIFIC WRITTEN PERMISSION OF OPTICAL CABLE CORPORATION.			
DRAWN	D.A.HOLBERT	DATE	7/14/14
CHECKED	S.PORACH	DATE	7/24/14
ENGINEER	J.YANIK	DATE	7/14/14
APPROVED	J.CALLOWAY	DATE	8/31/18
PREVIOUS DWG			
NEXT DWG			
DWG TITLE		SIZE	REV
PLUG, CAT 6A, T568B, STP, FIELD TERMINABLE, OCC		B	A
DWG NO.		SCALE:	SHEET
C111940		NONE	1 OF 1
FILENAME C111940A.dft		www.occfiber.com	



33 Superior Way
Swannanoa, NC 28778
Phone: 828-298-2260
Fax: 828-298-2487