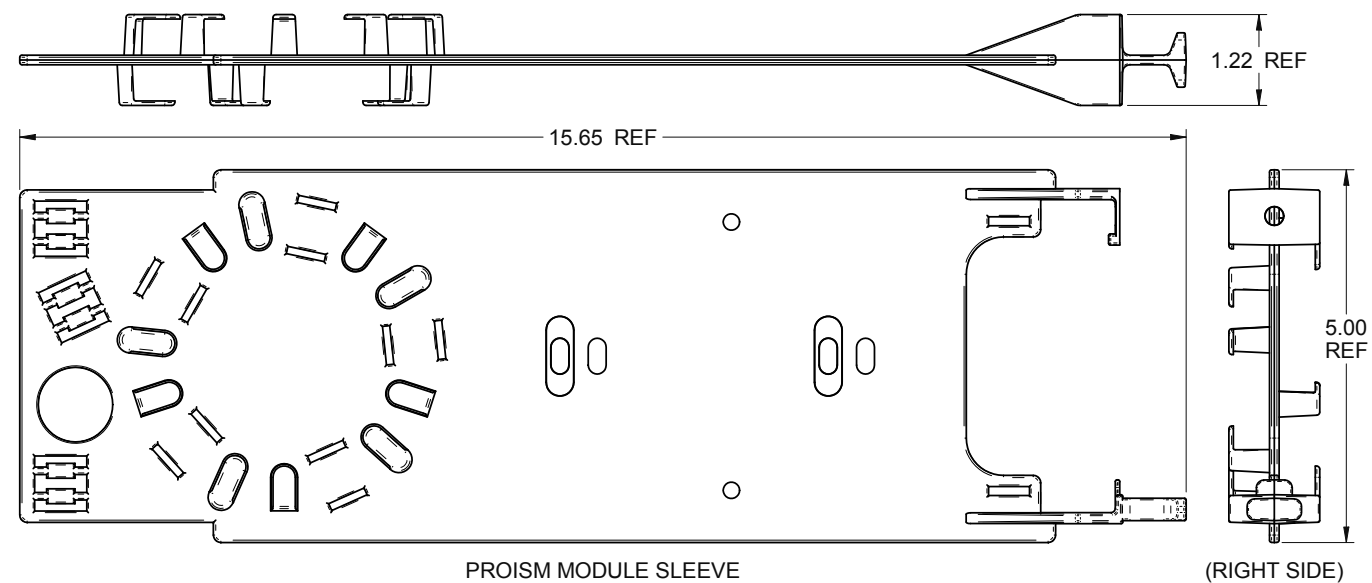
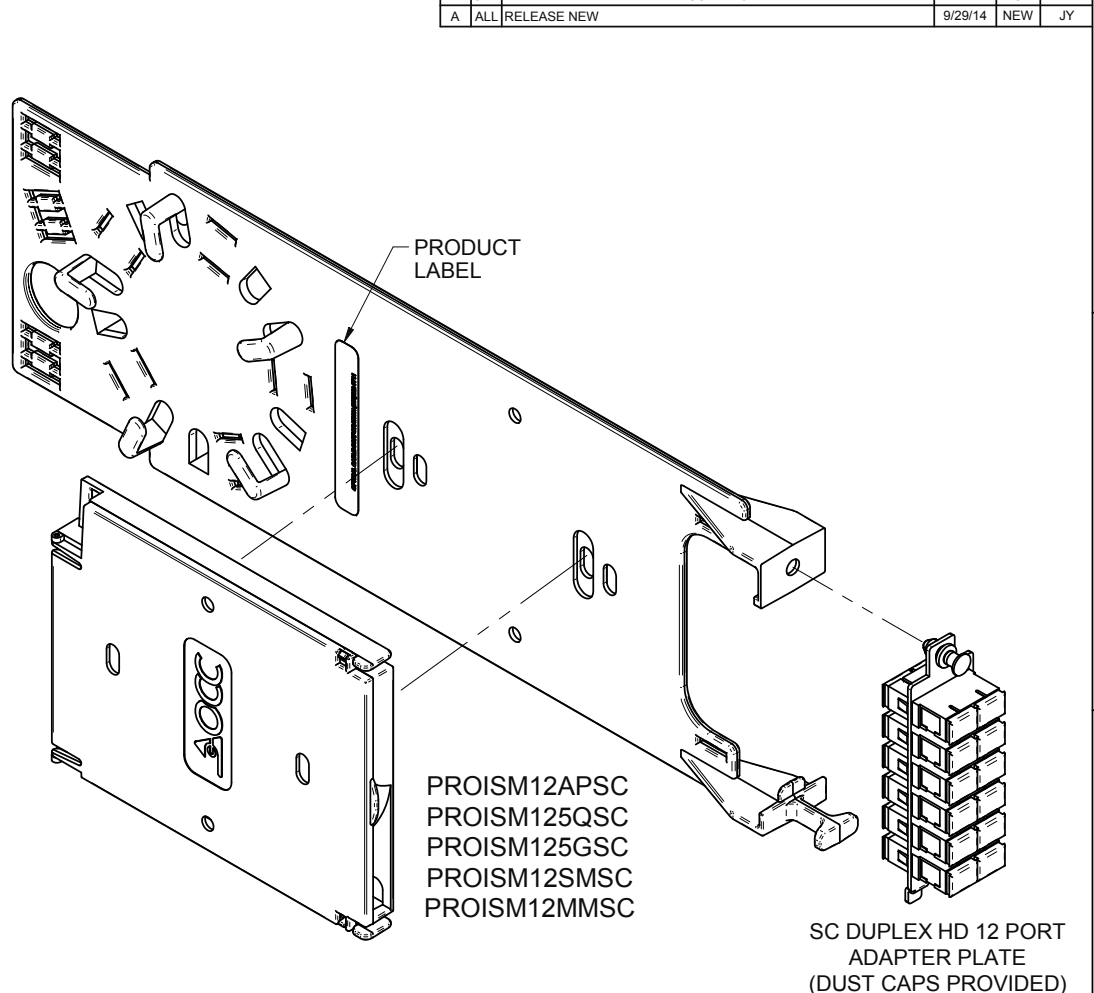
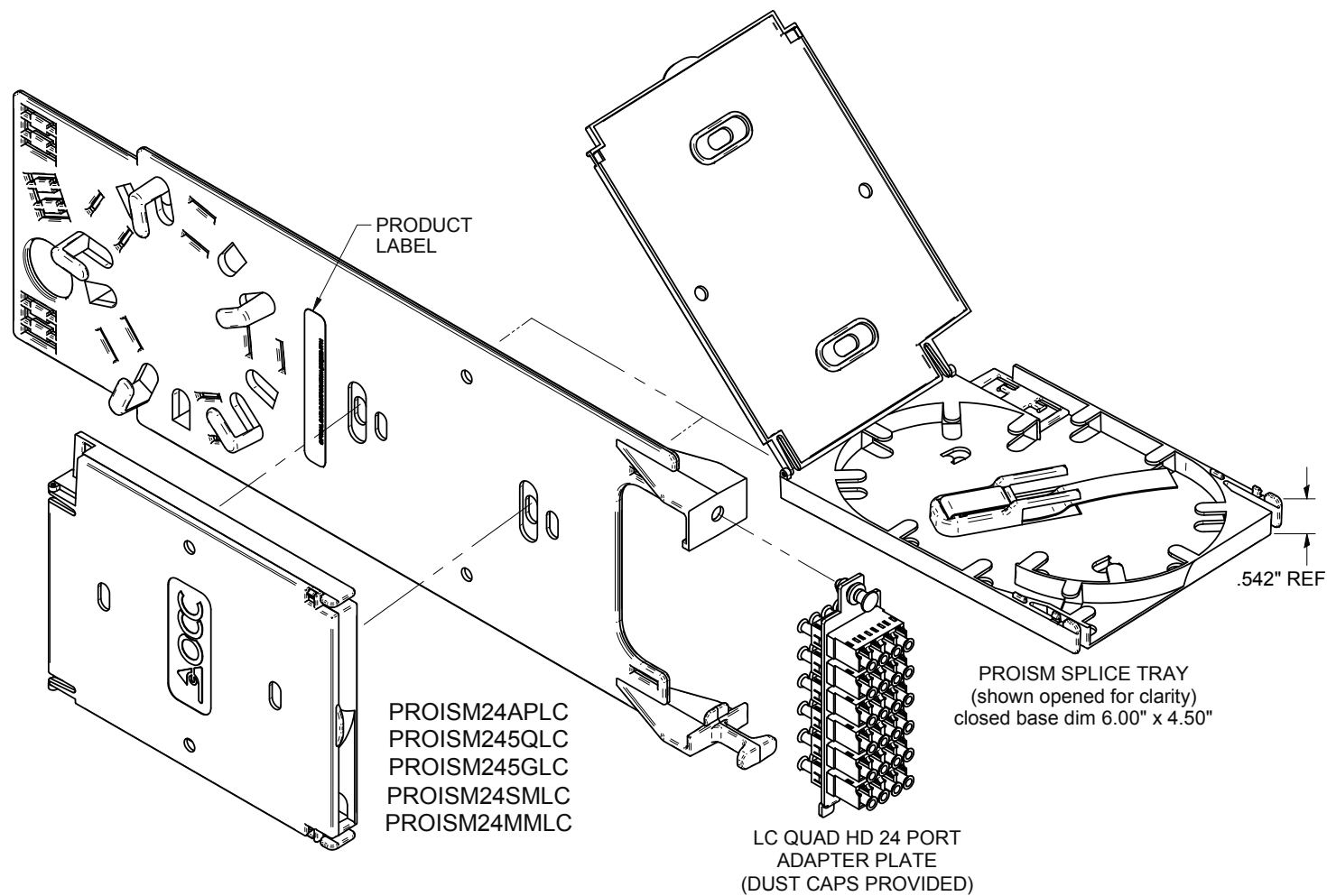



REVISION HISTORY				
REV	SHT	DESCRIPTION	DATE	CHECKED
A	ALL	RELEASE NEW	9/29/14	NEW JY



OCC PART NO.	DESCRIPTION
PROISM12APSC	BREAKOUT MODULE, 12P, SC, SM/APC with 6112SMDSCAPCHD
PROISM125QSC	BREAKOUT MODULE, 12P, SC, 50µmOM4 with 6112DSC50QHD
PROISM125GSC	BREAKOUT MODULE, 12P, SC, 50µmOM3 with 6112DSC50GHD
PROISM12SMSC	BREAKOUT MODULE, 12P, SC, Singlemode with 6112SMDSCHD
PROISM12MMLC	BREAKOUT MODULE, 12P, SC, Multimode with 6112MMDSCHD
PROISM24APLC	BREAKOUT MODULE, 24P, LC, SM/APC with 6124QLCAPCHD
PROISM245QLC	BREAKOUT MODULE, 24P, LC, 50µmOM4 with 6124QLC50QHD
PROISM245GLC	BREAKOUT MODULE, 24P, LC, 50µmOM3 with 6124QLC50GHD
PROISM24SMLC	BREAKOUT MODULE, 24P, LC, Singlemode with 6124SMQLCHD
PROISM24MMLC	BREAKOUT MODULE, 24P, LC, Multimode with 6124MMQLCHD

- NOTES: UNLESS OTHERWISE SPECIFIED.
- INCLUDES SUPPLIED HARDWARE:
 - (8) CABLE TIE, 3.6" MINI, NYLON
 - (2) FELT STRIP, BUFFER TUBE
 - (3) VELCRO STRAP, 1/2" W X 8" L

"OPTICAL CABLE CORPORATION (OCC) RESERVES THE RIGHT TO REVISE ANY AND ALL DESIGN SPECIFICATIONS."
UNCONTROLLED COPY

THIRD ANGLE PROJECTION CRITICAL DIMENSION CODE (F) = FUNCTION (M) = MATING (A) = AUDIT	UNLESS OTHERWISE SPECIFIED DIMENSIONS ARE IN INCHES. TOLERANCES: FRACTIONS ±1/32" ANGLES ±1/2" 3 PLACE DECIMALS ±.005" 2 PLACE DECIMALS ±.01"	THIS DRAWING AND THE DESIGN SHOWN ARE THE PROPERTY OF OPTICAL CABLE CORPORATION AND MAY NOT BE USED AS THE BASIS FOR MANUFACTURE OR SALE WITHOUT SPECIFIC WRITTEN PERMISSION OF OPTICAL CABLE CORPORATION.	 33 Superior Way Swannanoa, NC 28778 Phone: 828-298-2260 Fax: 828-298-2487 www.occfiber.com
	MATERIAL: SEE BILL OF MATERIAL	DWG TITLE: KIT, ADAPTER BREAKOUT, PROISM MODULE, PROCYON	
FINISH: SEE NOTES	DRAWN: D.A.HOLBERT DATE: 9/29/14 CHECKED: S.PORACH DATE: 1/9/15 ENGINEER: J.YANIK DATE: 9/29/14 APPROVED: J.HOWE DATE: 3/20/15	SIZE: C DWG NO.: C112034 REV: A	FILENAME: C112034A.dft SCALE: NONE SHEET: 1 OF 1