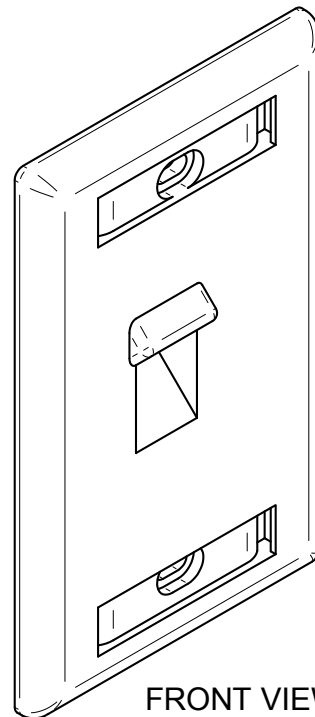
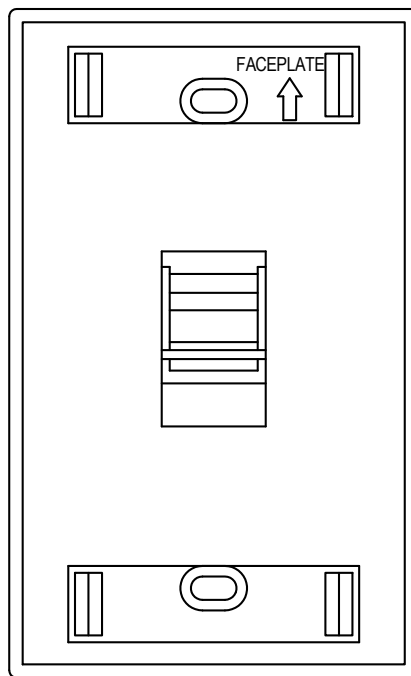
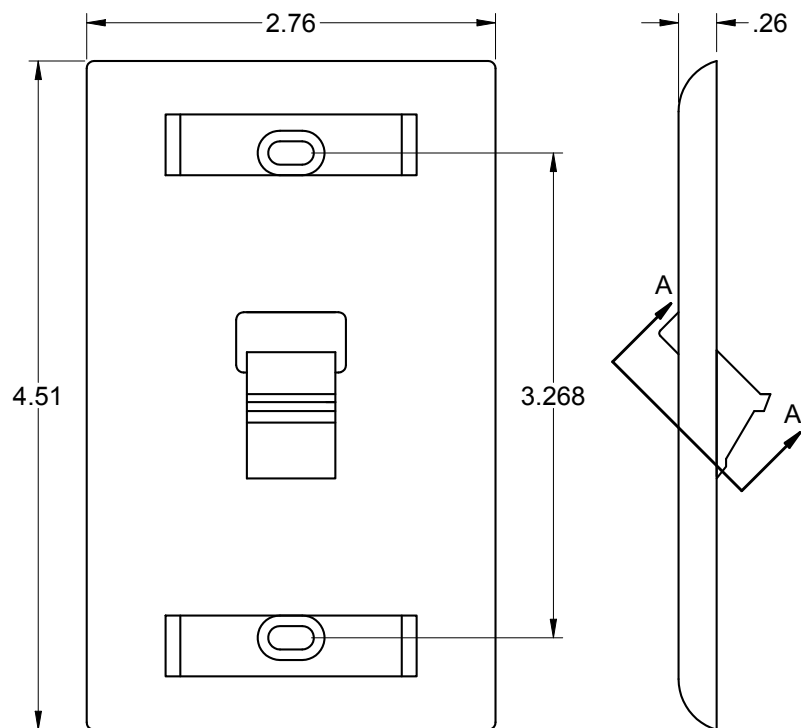
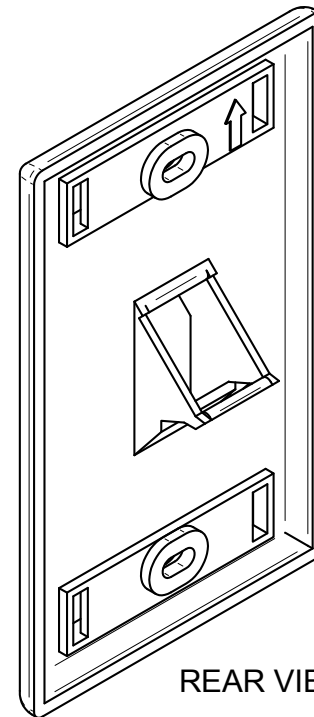


REVISION HISTORY				
REV	SHT	DESCRIPTION	DATE	CHECKED
A	ALL	RELEASE NEW	12/09/14	JH



FRONT VIEW

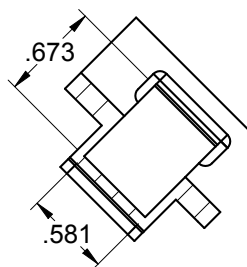


REAR VIEW

NOTES: UNLESS OTHERWISE SPECIFIED.

1. INCLUDES A HARDWARE KIT (2 ea. SCREWS) #6-32 X 7/8", PAINTED PER "COLOR".
2. "XX" IN PART NUMBER DESIGNATES "COLOR CODE".

SUFFIX	COLOR CODE
00	ELEC. IVORY
01	OFFICE WHITE
12	BRIGHT WHITE



SECTION A-A

CUSTOMER DRAWING

FPSK01AXX	FACEPLATE, SG, ANGLED, KMJ x 1 PORT, "COLOR", COMMERCIAL		
OCC PART NO.	DESCRIPTION		
UNCONTROLLED COPY			
UNLESS OTHERWISE SPECIFIED DIMENSIONS ARE IN INCHES. TOLERANCES: FRACTIONS ±1/32" ANGLES ±1/2" 3 PLACE DECIMALS ±.005" 2 PLACE DECIMALS ±.01"		THIS DRAWING AND THE DESIGN SHOWN ARE THE PROPERTY OF OPTICAL CABLE CORPORATION AND MAY NOT BE USED AS THE BASIS FOR MANUFACTURE OR SALE WITHOUT SPECIFIC WRITTEN PERMISSION OF OPTICAL CABLE CORPORATION.	
DRAWN	D.A.HOLBERT	DATE	12/09/14
CHECKED	S.PORACH	DATE	12/10/14
ENGINEER	J.YANIK	DATE	12/09/14
APPROVED	J.HOWE	DATE	12/10/14
PREVIOUS DWG			
NEXT DWG	FILENAME	C112096A.dft	SCALE: NONE SHEET 1 OF 1
 THIRD ANGLE PROJECTION		 OPTICAL CABLE CORPORATION	
		33 Superior Way Swannanoa, NC 28778 Phone: 828-298-2260 Fax: 828-298-2487 www.occfiber.com	
DWG TITLE FACEPLATE, SNG GNG, ANGLED, KMJ x 1 ID WINDOWS		SIZE B	DWG NO. C112096
		REV A	

"OPTICAL CABLE CORPORATION (OCC) RESERVES THE RIGHT TO REVISE ANY SPECIFICATIONS AT ANY TIME."

UNCONTROLLED COPY

THIRD ANGLE PROJECTION	
CRITICAL DIMENSION CODE	
(F) = FUNCTION	
(M) = MATING	
(A) = AUDIT	

MATERIAL
 FLAME RETARDANT THERMOPLASTIC
 UL LISTED RATING 94V-0
 FINISH
 SEE NOTES; FOR COLOR