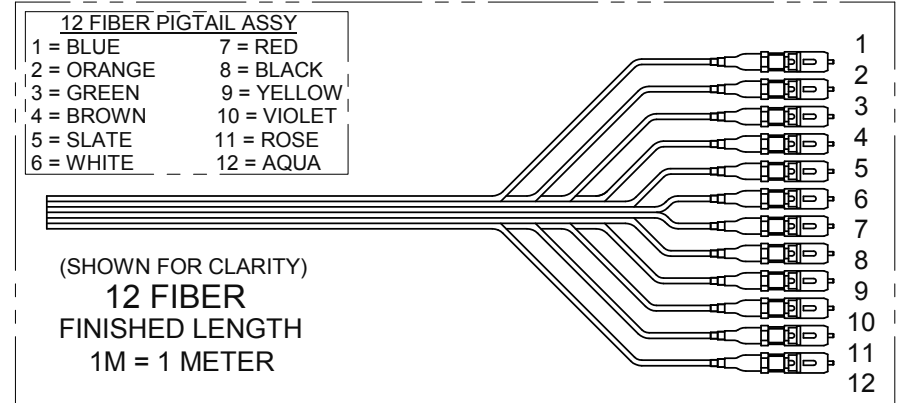
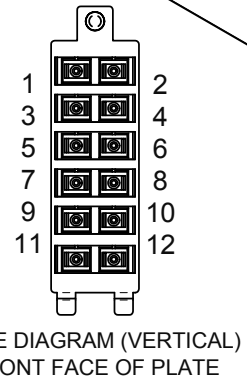
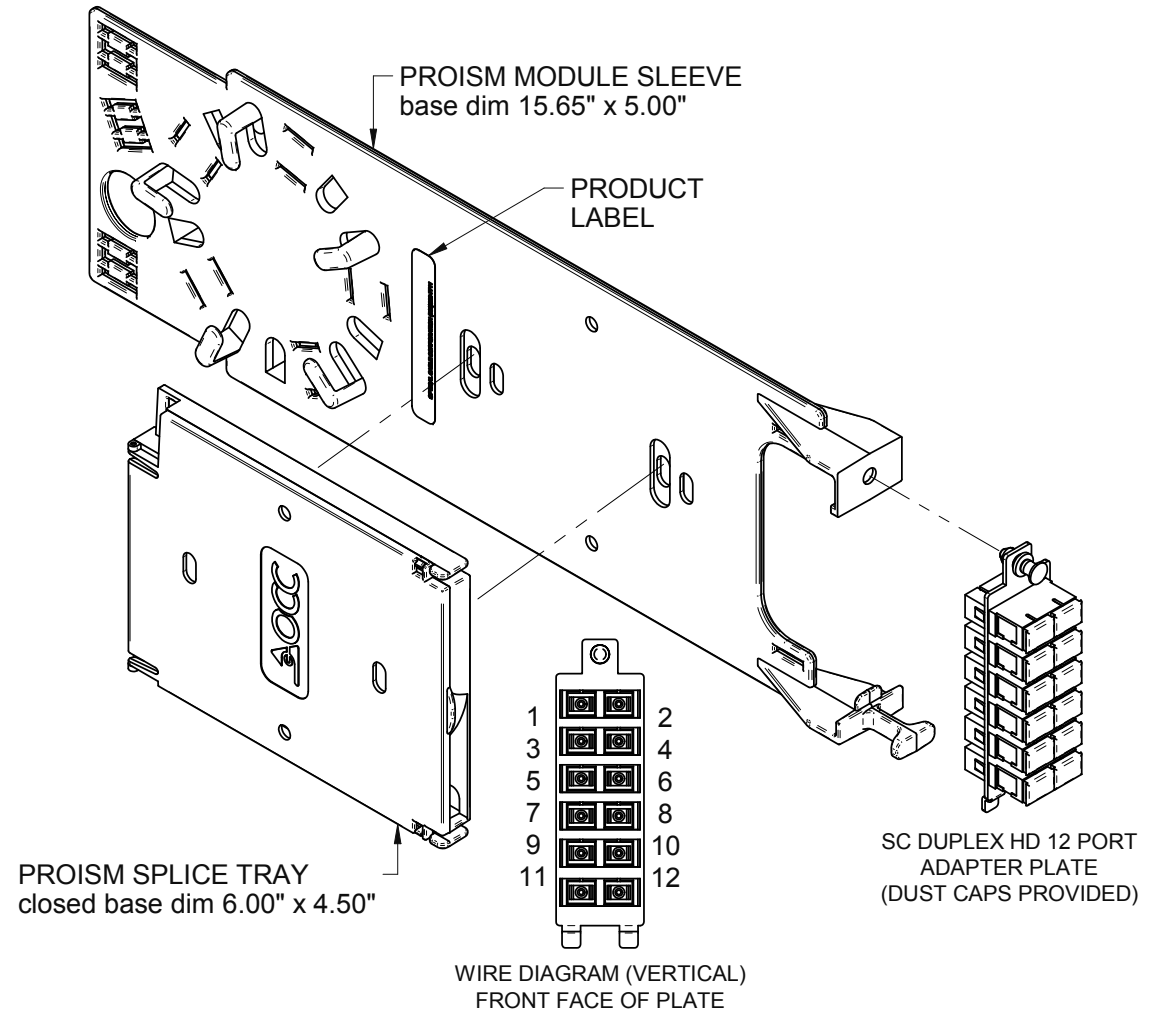
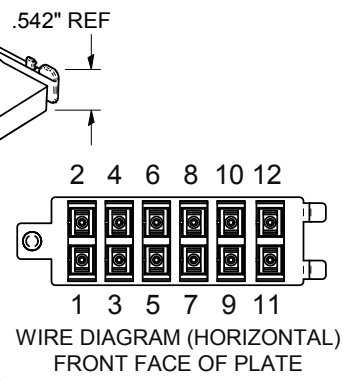
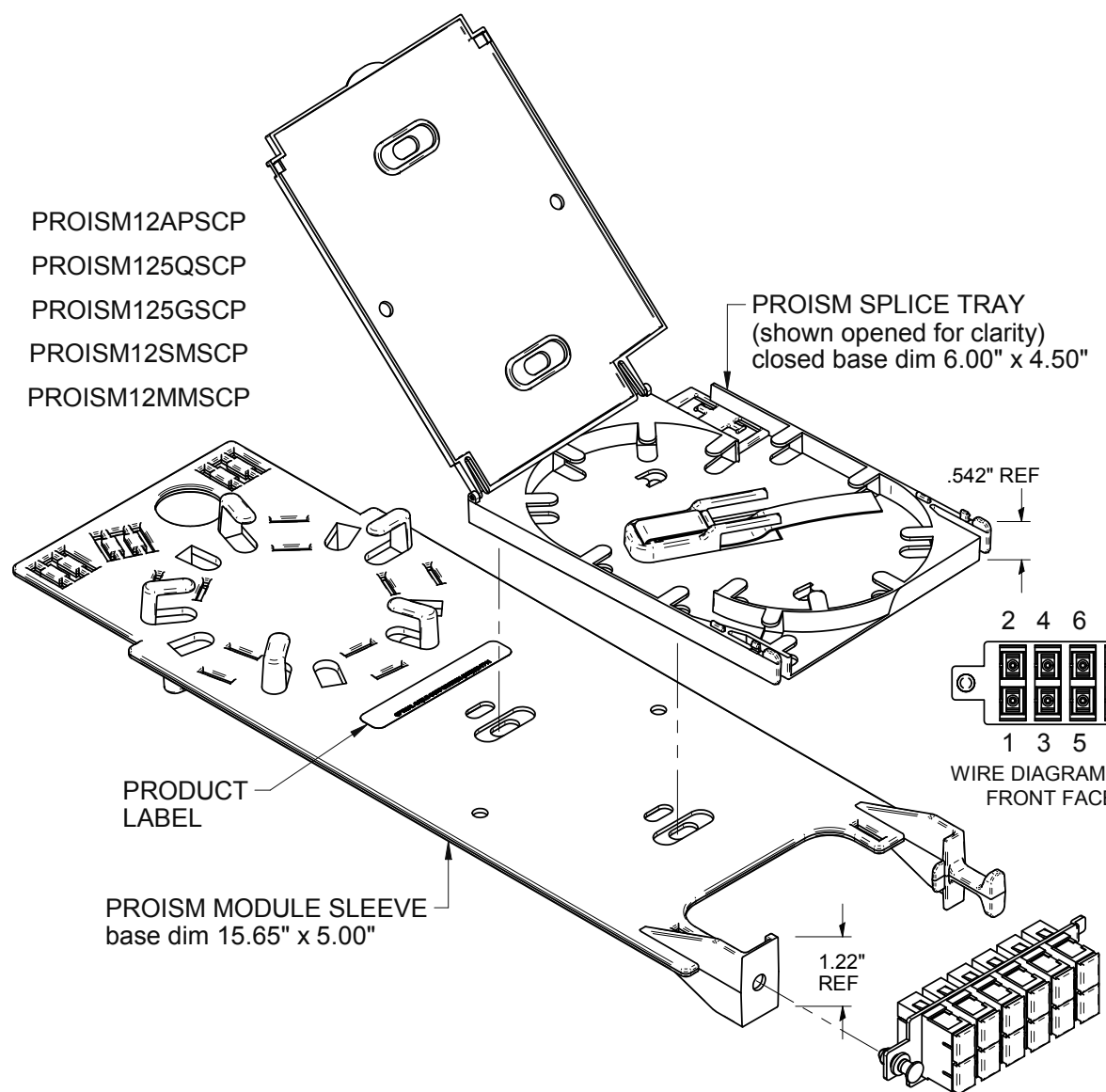


REVISION HISTORY				
REV	SHT	DESCRIPTION	DATE	CHECKED
A	ALL	RELEASE NEW	3/20/15	NEW JY

PROISM12APSCP
 PROISM125QSCP
 PROISM125GSCP
 PROISM12SMSCP
 PROISM12MMSCP



- NOTES: UNLESS OTHERWISE SPECIFIED.
- INCLUDES SUPPLIED HARDWARE:
 - (8) CABLE TIE, 3.6" MINI, NYLON
 - (2) FELT STRIP, BUFFER TUBE
 - (3) VELCRO STRAP, 1/2" W X 8" L

"OPTICAL CABLE CORPORATION (OCC)
 RESERVES THE RIGHT TO REVISE ANY
 AND ALL DESIGN SPECIFICATIONS."
UNCONTROLLED COPY

OCC PART NO.	DESCRIPTION
PROISM12APSCP	BREAKOUT MOD, 12P, SC, SM/APC, 6112SMDSCAPCHD, with 1 meter FIBER
PROISM125QSCP	BREAKOUT MOD, 12P, SC, 50µmOM4, 6112DSC50QHD, with 1 meter FIBER
PROISM125GSCP	BREAKOUT MOD, 12P, SC, 50µmOM3, 6112DSC50GHD, with 1 meter FIBER
PROISM12SMSCP	BREAKOUT MOD, 12P, SC, Singlemode, 6112SMDSCHD, with 1 meter FIBER
PROISM12MMSCP	BREAKOUT MOD, 12P, SC, 62.5µm, 6112MMDSCHD, with 1 meter FIBER

THIRD ANGLE PROJECTION 	UNLESS OTHERWISE SPECIFIED DIMENSIONS ARE IN INCHES. TOLERANCES: FRACTIONS ±1/32" ANGLES ±1/2° 3 PLACE DECIMALS ±.005" 2 PLACE DECIMALS ±.01"	THIS DRAWING AND THE DESIGN SHOWN ARE THE PROPERTY OF OPTICAL CABLE CORPORATION AND MAY NOT BE USED AS THE BASIS FOR MANUFACTURE OR SALE WITHOUT SPECIFIC WRITTEN PERMISSION OF OPTICAL CABLE CORPORATION.	33 Superior Way Swannanoa, NC 28778 Phone: 828-298-2260 Fax: 828-298-2487 www.occfiber.com
	MATERIAL: SEE BILL OF MATERIAL	DRAWN: D.A.HOLBERT DATE: 3/20/15 CHECKED: S.PORACH DATE: 3/23/15 ENGINEER: J.YANIK DATE: 3/20/15 APPROVED: J.HOWE DATE: 3/23/15	
CRITICAL DIMENSION CODE: (F) = FUNCTION (M) = MATING (A) = AUDIT	FINISH: SEE NOTES	NEXT DWG: FILENAME: C112170A.dft SCALE: NONE SHEET: 1 OF 1	