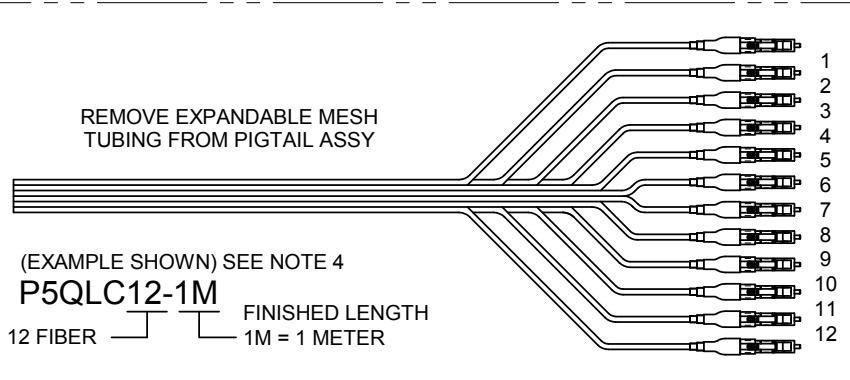


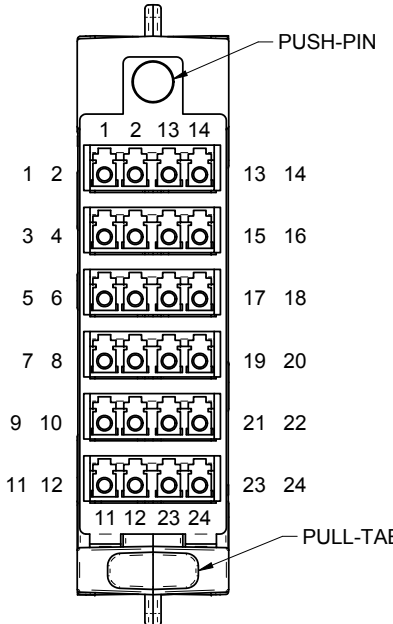
7 6 5 4 3 2 1

"OPTICAL CABLE CORPORATION (OCC)  
RESERVES THE RIGHT TO REVISE ANY  
AND ALL DESIGN SPECIFICATIONS."  
**UNCONTROLLED COPY**



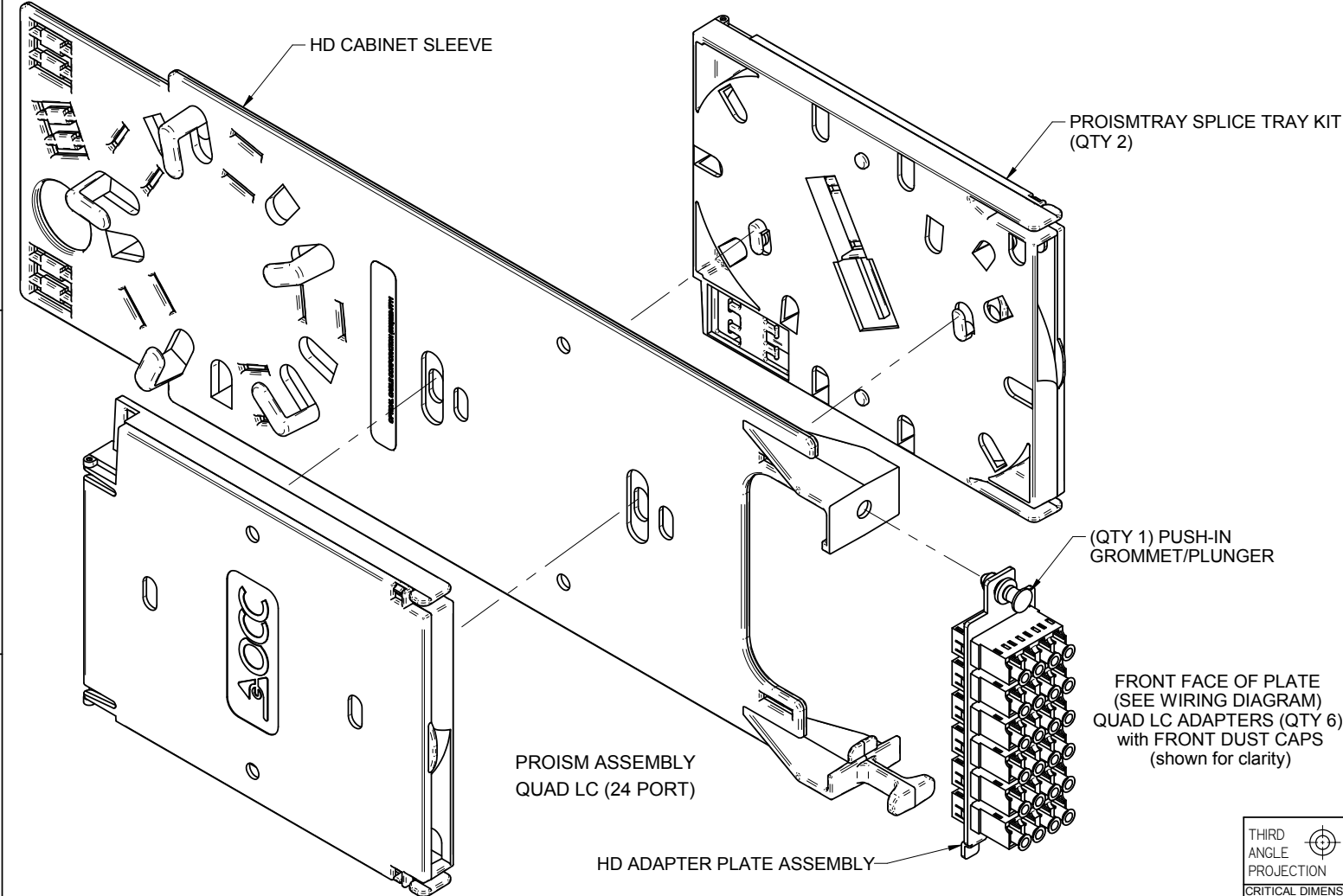
12 FIBER PIGTAIL ASSY

1 = BLUE	7 = RED
2 = ORANGE	8 = BLACK
3 = GREEN	9 = YELLOW
4 = BROWN	10 = VIOLET
5 = SLATE	11 = ROSE
6 = WHITE	12 = AQUA



QUAD LC WIRE DIAGRAM  
FRONT FACE OF PLATE

**METHOD A WIRED**



PROISM245VQLCP	BREAKOUT MODULE, 24P, QUAD LC, with 50umOM5 FIBER
PROISM245QQLCP	BREAKOUT MODULE, 24P, QUAD LC, with 50umOM4 FIBER
PROISM245GQLCP	BREAKOUT MODULE, 24P, QUAD LC with 50umOM3 FIBER
PROISM24MMQLCP	BREAKOUT MODULE, 24P, QUAD LC, with 62.5um FIBER
PROISM24SMQLCP	BREAKOUT MODULE, 24P, QUAD LC, with SingleMode FIBER
PROISM24APQLCP	BREAKOUT MODULE, 24P, QUAD LC/APC, with SingleMode/APC FIBER
PROISM24LCAPCP	BREAKOUT MODULE, 24P, QUAD LC/APC, with SingleMode/APC FIBER
PROISM24LCUPCP	BREAKOUT MODULE, 24P, QUAD LC, with SingleMode/UPC FIBER
OCC PART NUMBER	DESCRIPTION

UNLESS OTHERWISE SPECIFIED THIS DRAWING AND THE DESIGN SHOWN ARE THE  
DIMENSIONS ARE IN INCHES. PROPERTY OF OPTICAL CABLE CORPORATION AND  
TOLERANCES: FRACTIONS ±1/32" MAY NOT BE USED AS THE BASIS FOR MANUFACTURE  
OR SALE WITHOUT SPECIFIC WRITTEN PERMISSION  
ANGLES ±1/2" OF OPTICAL CABLE CORPORATION.  
3 PLACE DECIMALS ±.005"  
2 PLACE DECIMALS ±.01"

THIRD ANGLE PROJECTION  
CRITICAL DIMENSION CODE  
Ⓢ = FUNCTION  
Ⓜ = MATING  
Ⓐ = AUDIT

MATERIAL SEE BILL OF MATERIAL	FINISH SEE NOTES	DATE 3/20/15	DATE 8/29/16	DATE 3/20/15	DATE
DRAWN D.A.HOLBERT	CHECKED J. YANIK	ENGINEER J. YANIK	APPROVED	PREVIOUS DWG	NEXT DWG

DWG TITLE		SIZE	DWG NO.	REV
ASSY, KIT, PROISM, QLC, BREAKOUT MODULE, W/FIBER		C	C112171	C
SCALE: NONE	SHEET 1 OF 1	PROPRIETARY AND CONFIDENTIAL		

7 6 5 4 3 2 1