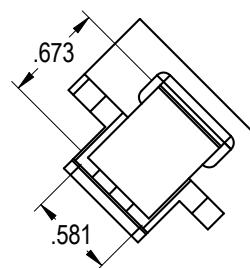
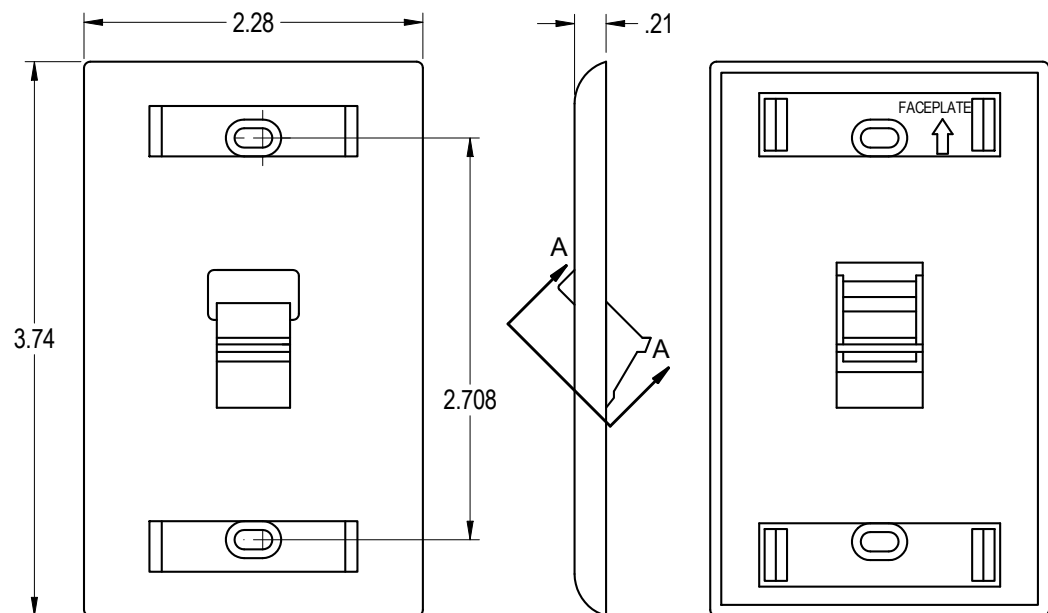
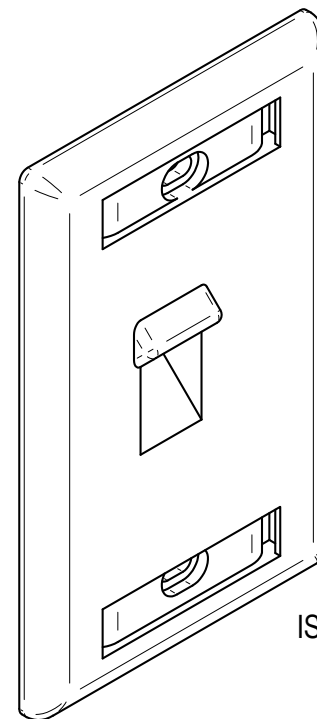
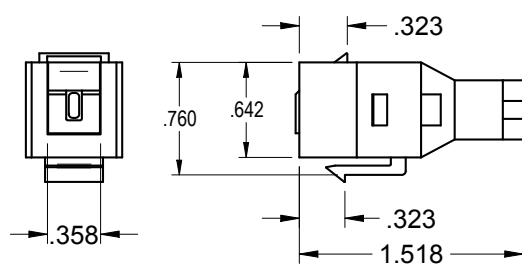
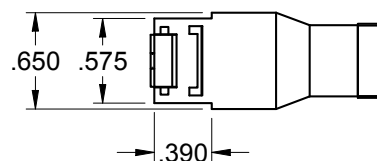


REVISION HISTORY				
REV	SHT	DESCRIPTION	DATE	CHECKED
A	ALL	RELEASE NEW	9/18/15	JH

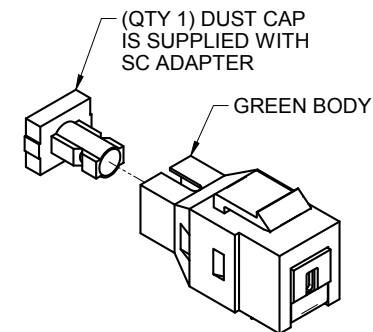
"OPTICAL CABLE CORPORATION (OCC) RESERVES THE RIGHT TO REVISE ANY AND ALL DRAWING SPECIFICATIONS."



SECTION A-A



ISOMETRIC (EXPLODED)



(QTY 1) DUST CAP IS SUPPLIED WITH SC ADAPTER

GREEN BODY

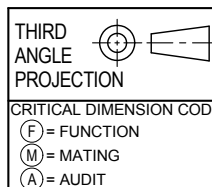
FPSK01ASCAS"CC"	KIT, FACEPLATE, SNGL GANG, KMJ X 1, ANGLED, "COLOR", WITH SHUTTERED SC ADAPTER
OCC PART NO.	DESCRIPTION

NOTES: UNLESS OTHERWISE SPECIFIED.

- INCLUDES A HARDWARE KIT (2 ea. SCREWS) #6-32 X 7/8", PAINTED PER "COLOR".
- "CC" IN PART# DESIGNATES FACEPLATE "COLOR".

SUFFIX	COLOR CODE
00	ELEC. IVORY
01	OFFICE WHITE
12	BRIGHT WHITE

**UNCONTROLLED COPY**



UNLESS OTHERWISE SPECIFIED DIMENSIONS ARE IN INCHES. TOLERANCES: FRACTIONS ±1/32" ANGLES ±1/2° 3 PLACE DECIMALS ±.005" 2 PLACE DECIMALS ±.01"		THIS DRAWING AND THE DESIGN SHOWN ARE THE PROPERTY OF OPTICAL CABLE CORPORATION AND MAY NOT BE USED AS THE BASIS FOR MANUFACTURE OR SALE WITHOUT SPECIFIC WRITTEN PERMISSION OF OPTICAL CABLE CORPORATION.	
MATERIAL	SEE BILL OF MATERIAL	DRAWN	D.A.HOLBERT
FINISH	SEE NOTES	CHECKED	S.PORACH
		ENGINEER	J.YANIK
		APPROVED	J.HOWE
		PREVIOUS DWG	
		NEXT DWG	

 <b>OPTICAL CABLE CORPORATION</b>	5290 Concourse Drive Roanoke, VA 24019 Phone: 800-622-7711 Fax: 540-265-0724 www.occfiber.com	
	DWG TITLE <b>CUSTOMER DRAWING, FACEPLATE KIT, 1PORT, ANGLED, WITH SHUTTERED SC INSERT</b>	
SIZE <b>B</b>	DWG NO. <b>C112328</b>	REV <b>A</b>
FILENAME C112328A.dft	SCALE: <b>NONE</b>	SHEET <b>1 OF 1</b>