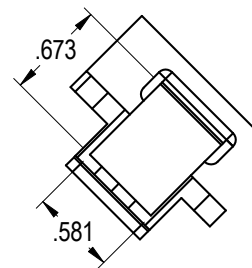
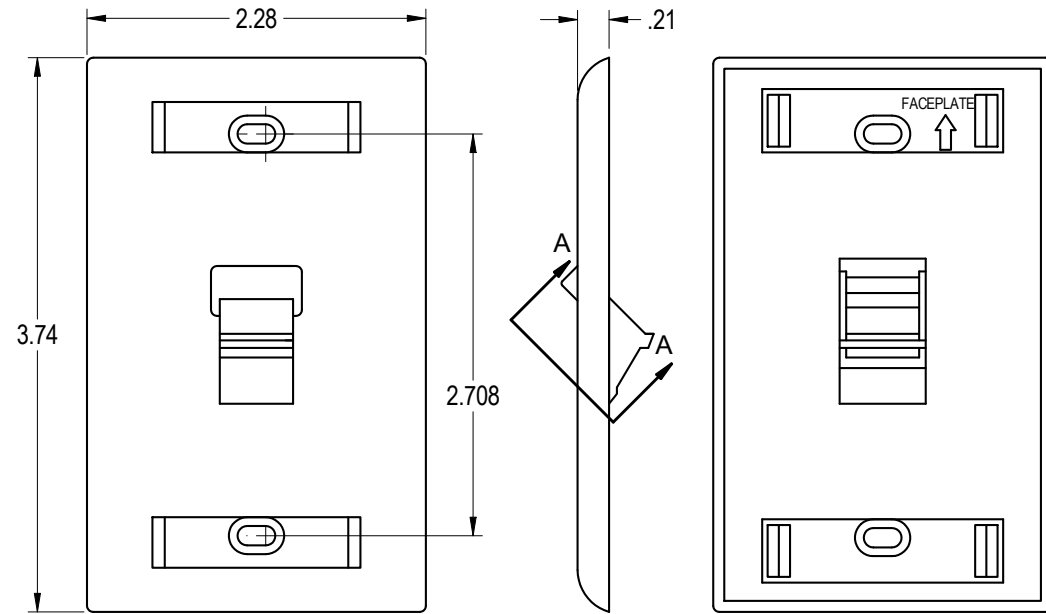
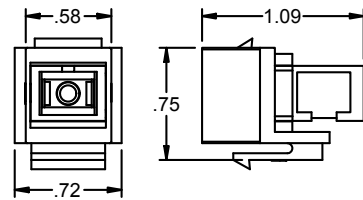


REVISION HISTORY				
REV	SHT	DESCRIPTION	DATE	CHECKED
A	ALL	RELEASE NEW	9/18/15	JH

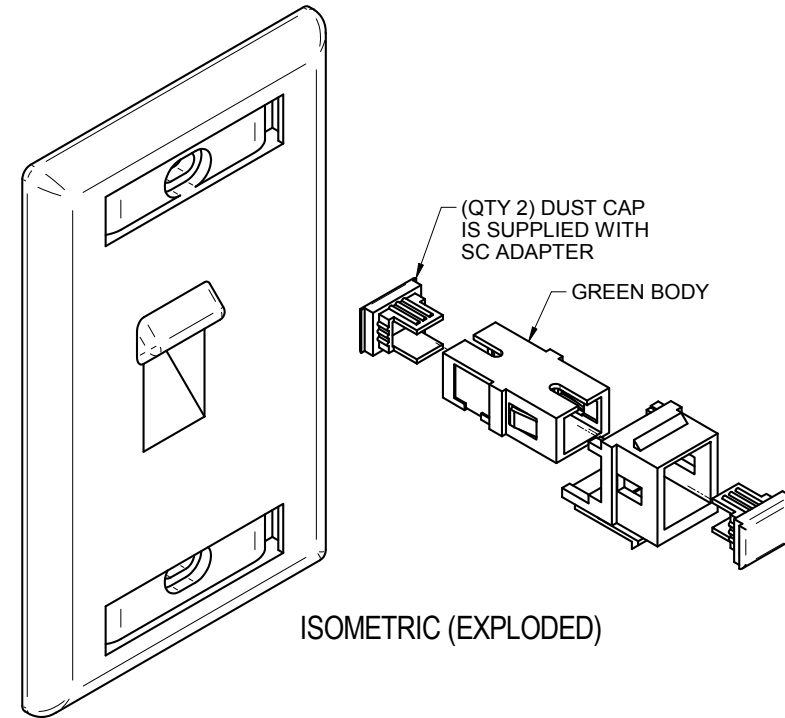
"OPTICAL CABLE CORPORATION (OCC) RESERVES THE RIGHT TO REVISE ANY AND ALL DRAWING SPECIFICATIONS."



SECTION A-A



ASSEMBLY VIEW



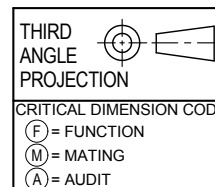
ISOMETRIC (EXPLODED)

NOTES: UNLESS OTHERWISE SPECIFIED.

- INCLUDES A HARDWARE KIT (2 ea. SCREWS)
#6-32 X 7/8", PAINTED PER "COLOR".
- "CC" IN PART# DESIGNATES FACEPLATE "COLOR".

SUFFIX	COLOR CODE
00	ELEC. IVORY
01	OFFICE WHITE
12	BRIGHT WHITE

UNCONTROLLED COPY



FPSK01ASCA"CC"	KIT, FACEPLATE, SNGL GANG, KMJ X 1, ANGLED, "COLOR", WITH SC ADAPTER
OCC PART NO.	DESCRIPTION

UNCONTROLLED COPY		OCC		OPTICAL CABLE CORPORATION	
UNLESS OTHERWISE SPECIFIED DIMENSIONS ARE IN INCHES. TOLERANCES: FRACTIONS ±1/32" ANGLES ±1/2° 3 PLACE DECIMALS ±.005" 2 PLACE DECIMALS ±.01"		THIS DRAWING AND THE DESIGN SHOWN ARE THE PROPERTY OF OPTICAL CABLE CORPORATION AND MAY NOT BE USED AS THE BASIS FOR MANUFACTURE OR SALE WITHOUT SPECIFIC WRITTEN PERMISSION OF OPTICAL CABLE CORPORATION.		5290 Concourse Drive Roanoke, VA 24019 Phone: 800-622-7711 Fax: 540-265-0724 www.occfiber.com	
DRAWN	D.A.HOLBERT	DATE	9/18/15	DWG TITLE	
CHECKED	S.PORACH	DATE	9/19/15	CUSTOMER DRAWING, FACEPLATE KIT, 1PORT, ANGLED, WITH SC INSERT	
ENGINEER	J.YANIK	DATE	9/18/15	SIZE	B
APPROVED	J.HOWE	DATE	9/19/15	DWG NO.	C112139
PREVIOUS DWG				REV	A
NEXT DWG		FILENAME	C112139A.dft	SCALE:	NONE
		SHEET	1 OF 1		