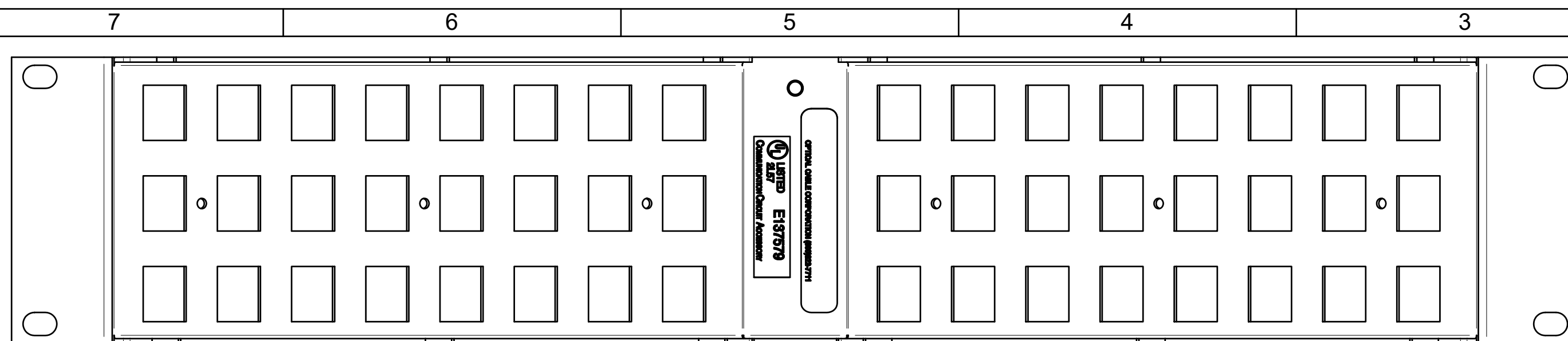
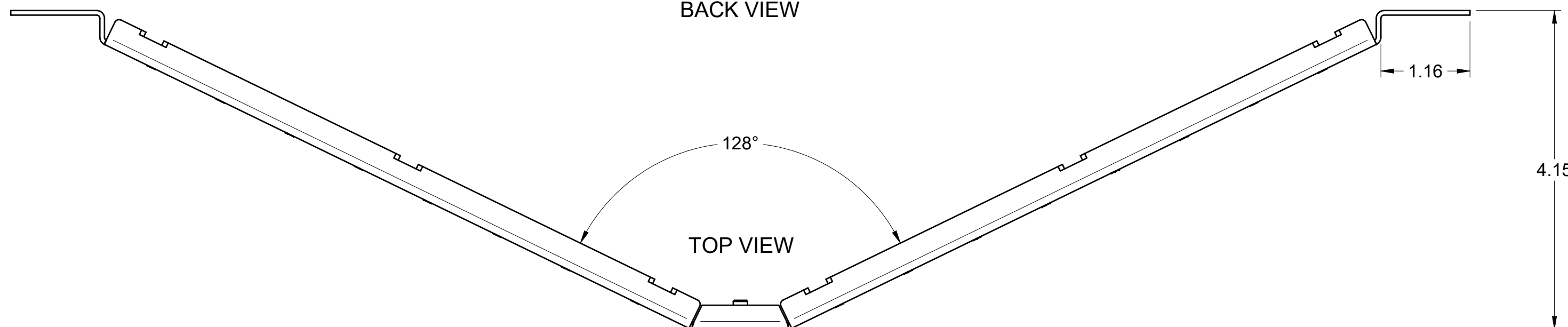


"OPTICAL CABLE CORPORATION (OCC)  
RESERVES THE RIGHT TO REVISE ANY  
AND ALL DESIGN SPECIFICATIONS."

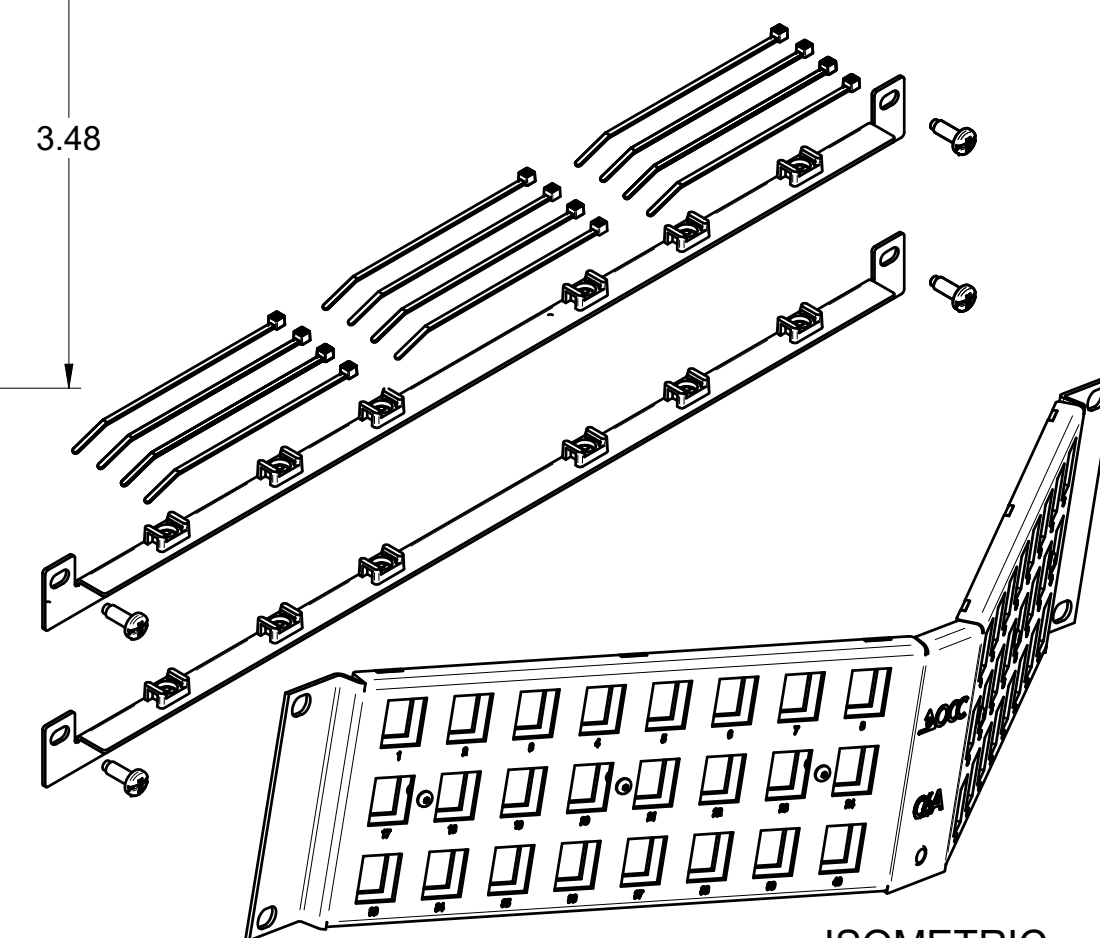
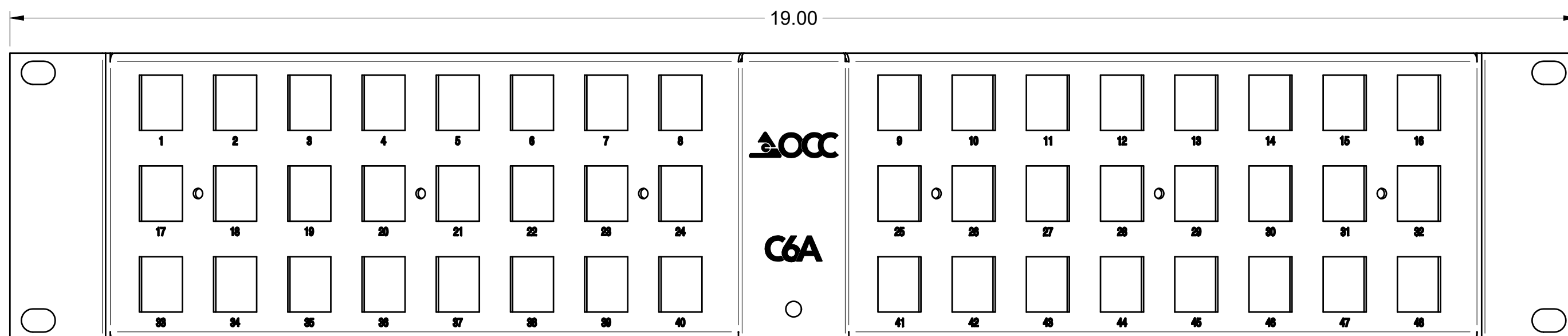
**UNCONTROLLED COPY**



BACK VIEW



TOP VIEW



ISOMETRIC

**APPLICATIONS:**

- ANALOG VOICE / VOIP
- VIDEO: IPTV / HDBaseT
- 10/100/1000/10GBASE-T ETHERNET
- IEEE 802.3 AF/AT/BT PoE

**SPECIFICATIONS:**

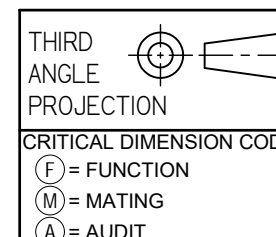
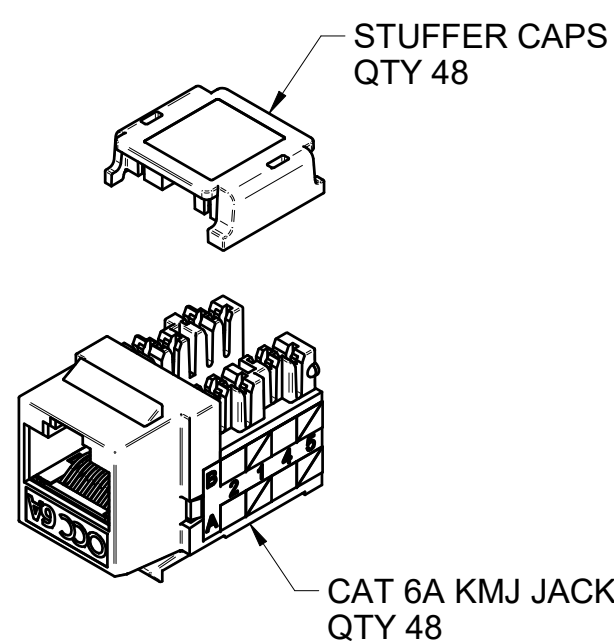
- ANSI / TIA-568-C.2 CATEGORY 6A
- ANSI / TIA-968-A
- IEC 60603-7

**MATERIALS:**

- ANGLED PATCH PANEL, BLACK POWDER COAT
- 16 GAUGE CRS (.060 THK)
- CABLE MANAGEMENT BARS, BLACK POWDER COAT, 16 GAUGE CRS (.060 THK)

**KIT INCLUDES THE FOLLOWING:**

- (48) CAT6A JACKS (K6A02) SHIPPED LOOSE
- (12) 3.6 " NYLON CABLE TIES
- (4) BLACK #12-24 PAN HEAD SCREWS
- (2) CABLE MANAGEMENT BARS



ACC4888/1106AN	PATCH PANEL, ANGLED, C6A, 48P, KMJ MTG, UTP, OCC		
OCC PART NO.	DESCRIPTION		
UNLESS OTHERWISE SPECIFIED DIMENSIONS ARE IN INCHES. TOLERANCES: FRACTIONS ±1/32" ANGLES ±1/2° 3 PLACE DECIMALS ±.005" 2 PLACE DECIMALS ±.01"	THIS DRAWING AND THE DESIGN SHOWN ARE THE PROPERTY OF OPTICAL CABLE CORPORATION AND MAY NOT BE USED AS THE BASIS FOR MANUFACTURE OR SALE WITHOUT SPECIFIC WRITTEN PERMISSION OF OPTICAL CABLE CORPORATION.		
DRAWN	D.A.HOLBERT	DATE	08/16/18
CHECKED	R.B.SMITH	DATE	08/16/18
ENGINEER	J.YANIK	DATE	08/16/18
APPROVED	J.CALLOWAY	DATE	08/16/18
PREVIOUS DWG			
NEXT DWG		FILENAME	C113143A.dft
DWG TITLE		SIZE	DWG NO.
PATCH PANEL, 48 PORT, ANGLED, UTP, NON-STAGGERED		C	C113143
REV		SCALE:	SHEET
A		NONE	1 OF 1