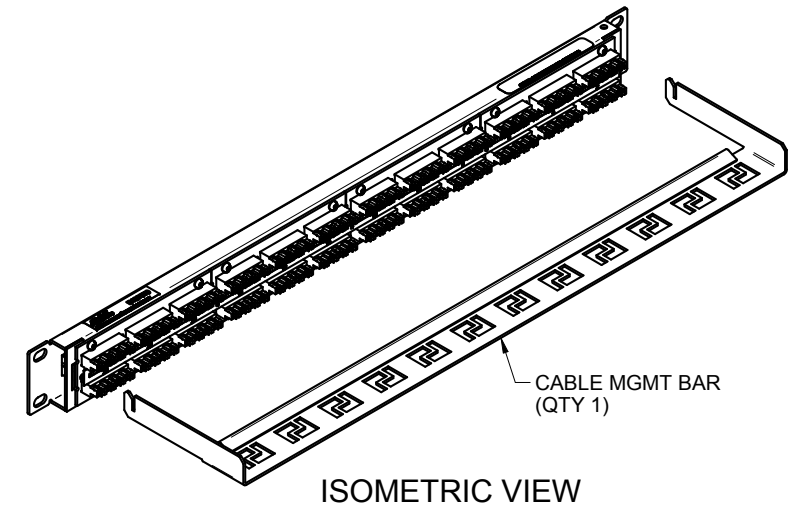
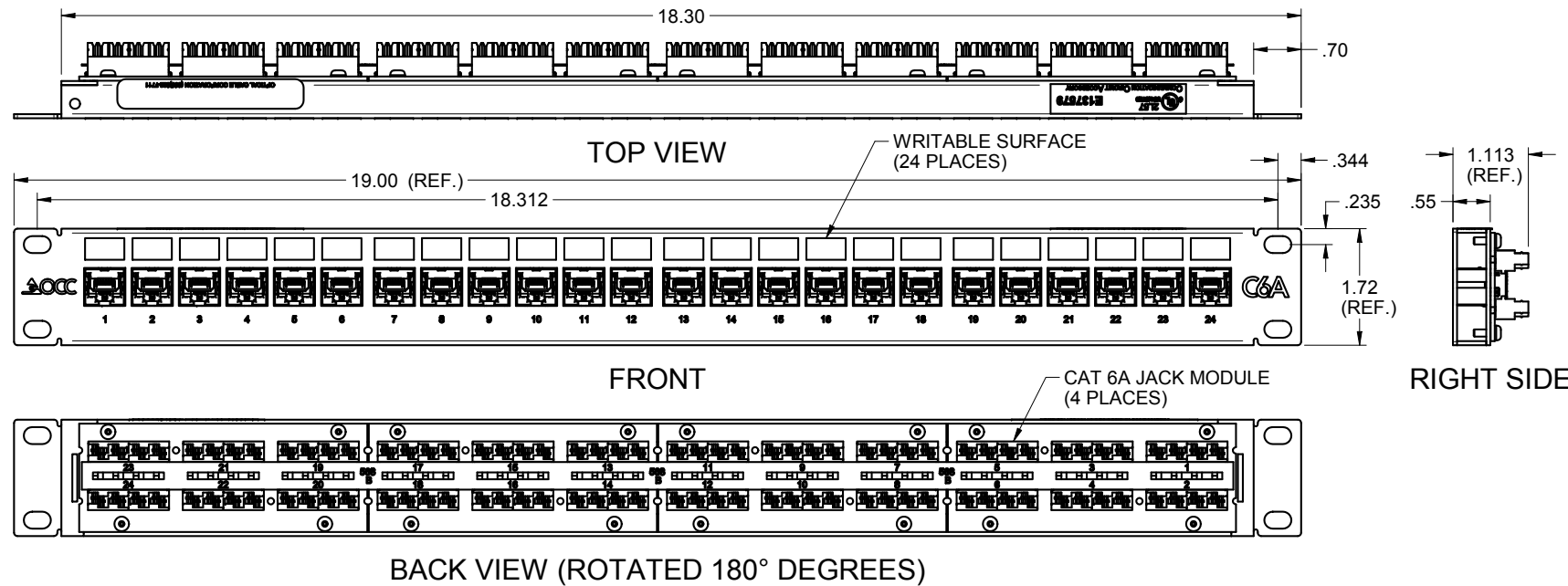


"OPTICAL CABLE CORPORATION (OCC)  
RESERVES THE RIGHT TO REVISE ANY  
AND ALL DESIGN SPECIFICATIONS."

**UNCONTROLLED COPY**



**APPLICATION:**

- 2.5/5/10GBASE-T ETHERNET
- IEEE 802.3BT PoE++

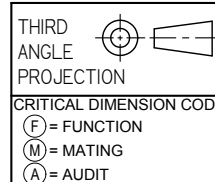
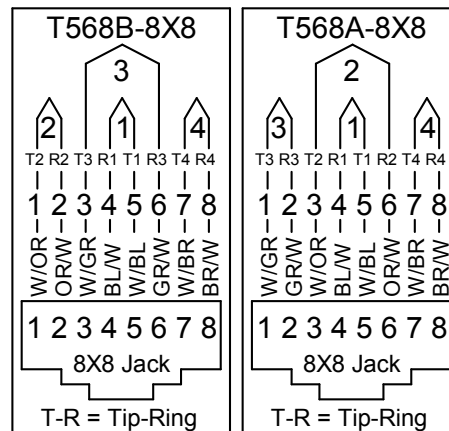
**SPECIFICATIONS:**


- ANSI/TIA-568.2 CATEGORY 6A
- ANSI/TIA-968-A
- IEC 60603-7

**MATERIALS:**

- PANEL: BLACK POWDERCOAT, 16-GA CRS
- CABLE MANAGEMENT BAR, BLACK POWDERCOAT, 16-GA STEEL
- KIT INCLUDES THE FOLLOWING:
  - (6) 3.6" NYLON CABLE TIES
  - (4) BLACK #12-24 PANHEAD SCREWS
  - (1) CABLE MANAGEMENT BAR

**8 POSITION MODULAR JACK**



DCC2488/1106APD		PATCH PANEL, 24 PORT, CAT 6A, UTP, 110	
OCC PART NO.		DESCRIPTION	
UNLESS OTHERWISE SPECIFIED DIMENSIONS ARE IN INCHES. TOLERANCES: FRACTIONS ±1/32" ANGLES ±1/2" 3 PLACE DECIMALS ±.005" 2 PLACE DECIMALS ±.01"	THIS DRAWING AND THE DESIGN SHOWN ARE THE PROPERTY OF OPTICAL CABLE CORPORATION AND MAY NOT BE USED AS THE BASIS FOR MANUFACTURE OR SALE WITHOUT SPECIFIC WRITTEN PERMISSION OF OPTICAL CABLE CORPORATION.		 33 Superior Way Swannanoa, NC 28778 Phone: 828-298-2260 Fax: 828-298-2487 www.occfiber.com
	DRAWN D.A.HOLBERT CHECKED J.HOWE ENGINEER J.YANIK APPROVED J.CALLOWAY PREVIOUS DWG NEXT DWG	DATE 7/5/22 DATE 7/18/22 DATE 7/5/22 DATE 8/14/23	
MATERIAL SEE NOTES		FINISH SEE NOTES	SIZE B DWG NO. <b>C113779</b> REV B
THIRD ANGLE PROJECTION		FILENAME C113779B.dft	SCALE: NONE SHEET 1 OF 1

**PROPRIETARY AND CONFIDENTIAL**