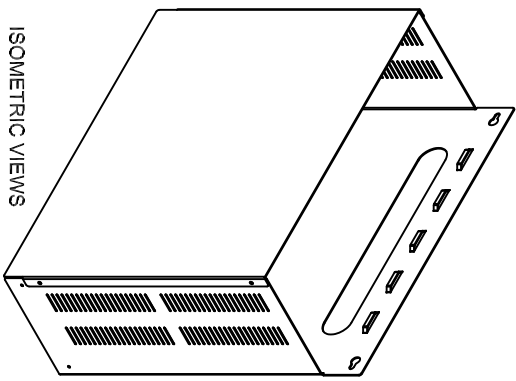
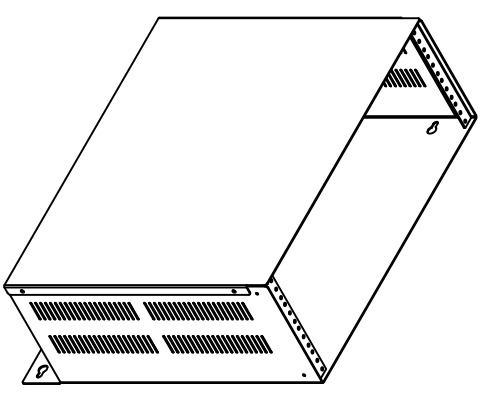


REV	DATE	EQ	CHK
A	11/20/05	NEW	JY

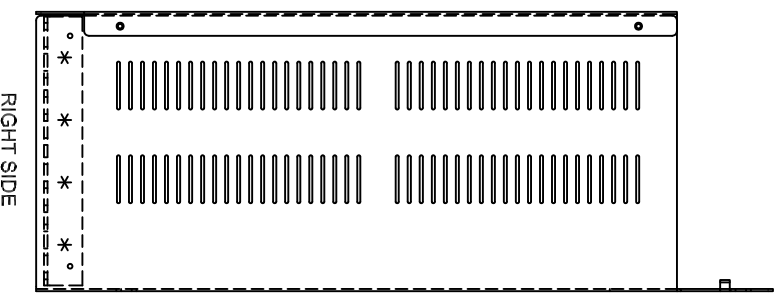


ISOMETRIC VIEWS

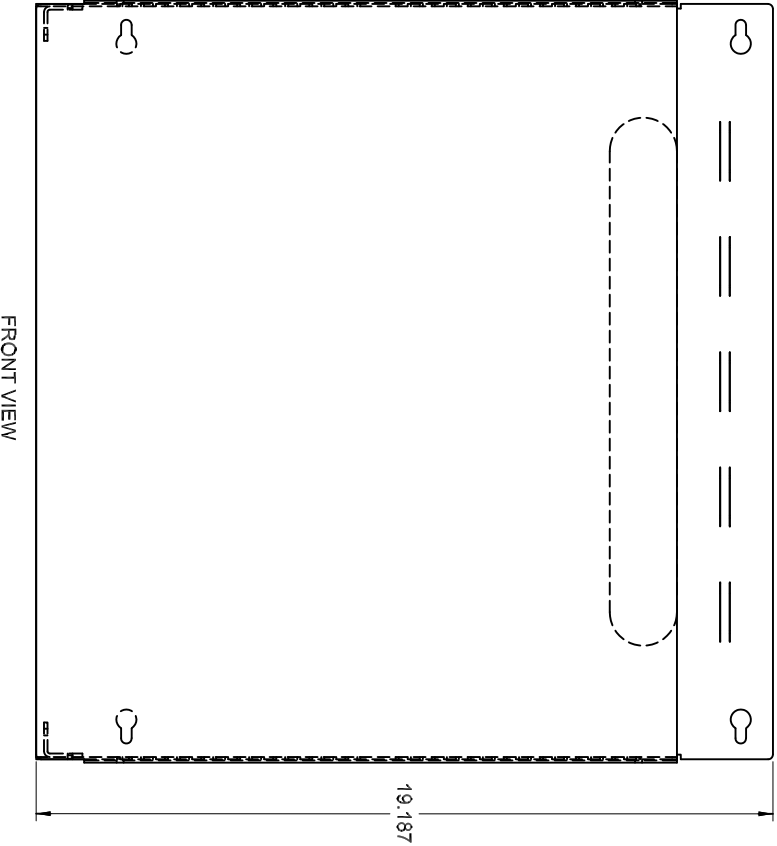
CMS-4
OCC PART NO.



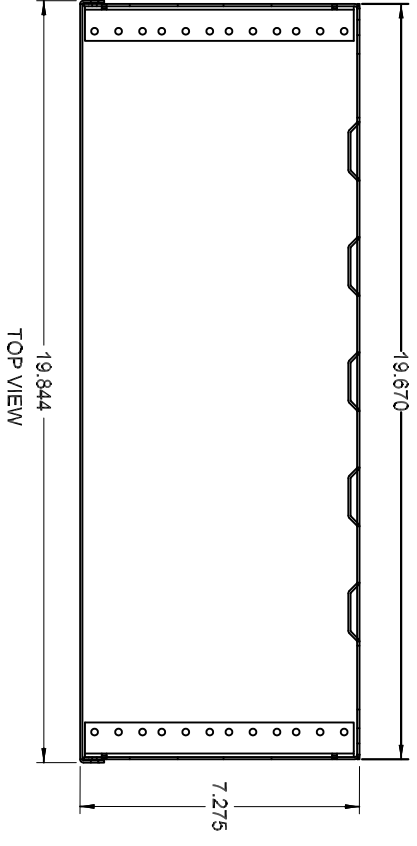
DWG TITLE: **CABINET ASSY, CMS-4, COMPACT WALL MOUNT**
 DWG NO: **C300111**
 SCALE: NONE SHEET: 1 OF 1



RIGHT SIDE



FRONT VIEW



TOP VIEW

NOTES: UNLESS OTHERWISE SPECIFIED,
 1. DIMENSIONS ARE IN ENGLISH MEASUREMENTS.

UNCONTROLLED COPY

THIRD ANGLE PROJECTION	1/8" CA OPS	FINISH: PAINTED BLACK POWDERCOAT WRINKLE PER SMP 10002512
PROJECTION	0.001 THK	
① - FUNCTION		
② - MATING		
③ - AUDIT		

CHECKED	J. YANIK	DATE	11/20/05
APPROVED	R. B. SMITH	DATE	11/20/05
PREVIOUS DWG			
NEXT DWG			

UNLESS OTHERWISE SPECIFIED, DIMENSIONS ARE IN INCHES UNLESS OTHERWISE NOTED. DIMENSIONS IN PARENTHESES ARE IN MILLIMETERS UNLESS NOTED. PLACE DECIMALS = 00". THIS DRAWING AND THE DESIGN IS OWNED BY THE PROPERTY OF OCC. OCC SHALL BE RESPONSIBLE FOR FACTURE OF SALE WITH OUT REPAIRS WRITTEN PERMISSION OF OCC. OCC'S CONSENT IS NOT NEEDED.

7 6 5 4 3 2 1

A B C D E