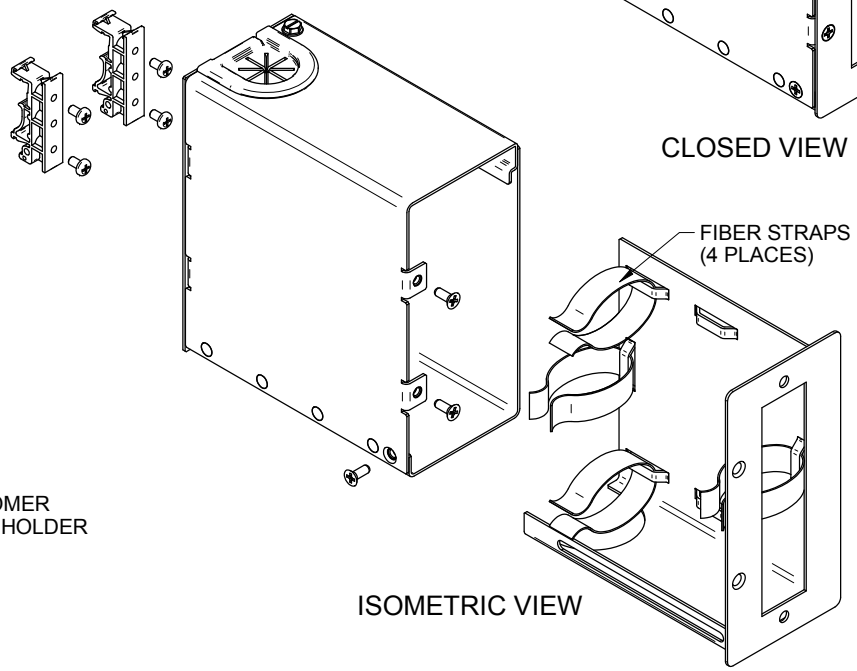
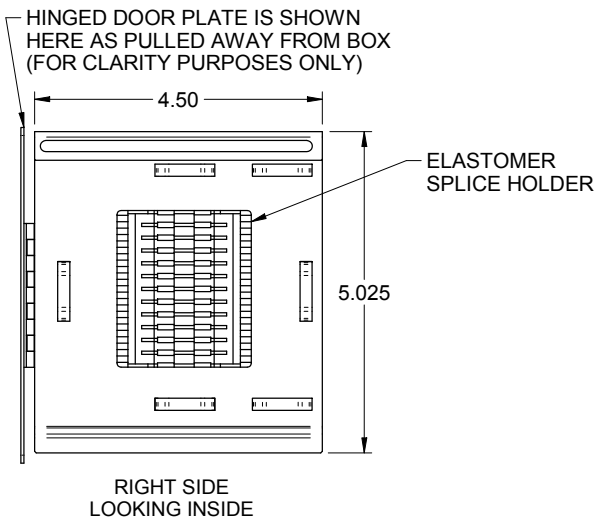
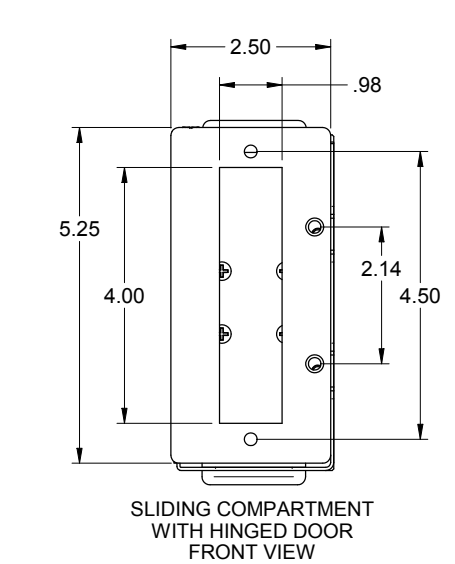
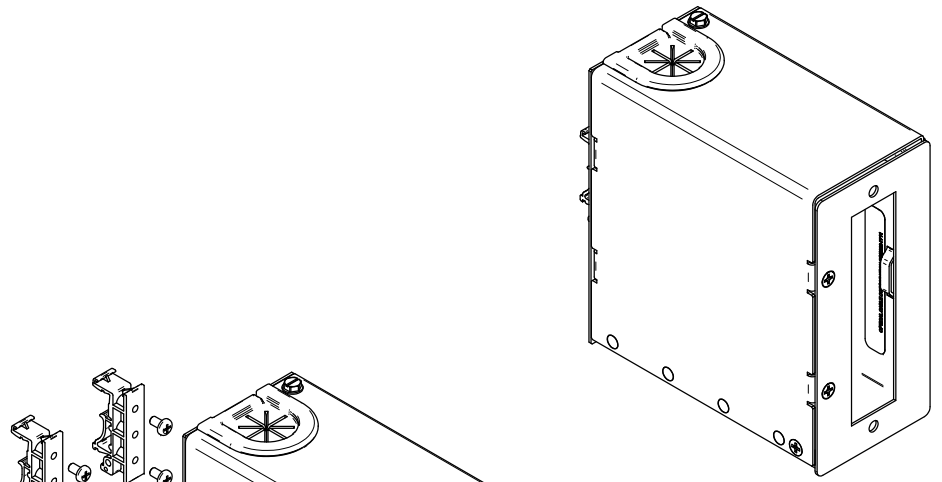
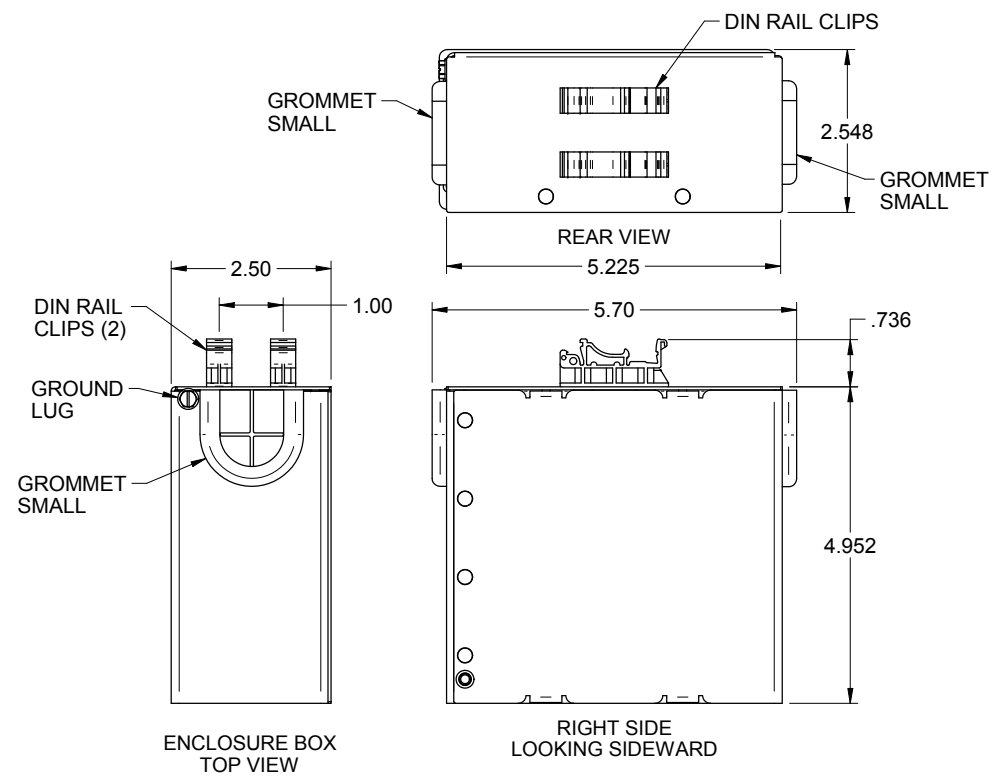



REVISION HISTORY		DATE	ECN	CHECKED
REV/SHT	DESCRIPTION			
A	ALL RELEASE NEW	5/15/12	NEW	JY

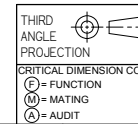
"OPTICAL CABLE CORPORATION (OCC) RESERVES THE RIGHT TO REVISE ANY AND ALL DESIGN SPECIFICATIONS."

E
D
C
B



UNCONTROLLED COPY

DTC1AP	CABINET, DIN RAIL, 1 ADAPTER PLATE, BLACK	 33 Superior Way Swannanoa, NC 28778 Phone: 828-298-2260 Fax: 828-298-2487 www.occfiber.com
OCC PART NO.	DESCRIPTION	
UNLESS OTHERWISE SPECIFIED DIMENSIONS ARE IN INCHES. TOLERANCES: FRACTIONS ±1/32 ANGLES ±1/2° 3 PLACE DECIMALS ±.005" 2 PLACE DECIMALS ±.01"		DWG TITLE DIN RAIL, FIBER, ADAPTER PLATE RECEPTACLE, DTC1AP
THIS DRAWING AND THE DESIGN SHOWN ARE THE PROPERTY OF OPTICAL CABLE CORPORATION AND MAY NOT BE USED AS THE BASIS FOR MANUFACTURE OR SALE WITHOUT SPECIFIC WRITTEN PERMISSION OF OPTICAL CABLE CORPORATION.		
MATERIAL: OVERALL BODY: CRS DIN RAILS: THERMOPLASTIC FINISH: OVER ALL BODY: BLACK POWDERCOAT PAINTED PER OCC SPEC# 100025		
DRAWN: D.A.HOLBERT DATE: 5/15/12		
CHECKED: S.PORACH DATE: 12/16/12	ENGINEER: J.YANK DATE: 5/15/12	SIZE: C
APPROVED: J.HOWE DATE: 11/19/14	PREVIOUS DWG	DWG NO. C111201
NEXT DWG	FILENAME: C111201A.dft	SCALE: 1:1.5
3	2	SHEET 1 OF 1



E
D
C
B
A