

SPECIFICATIONS

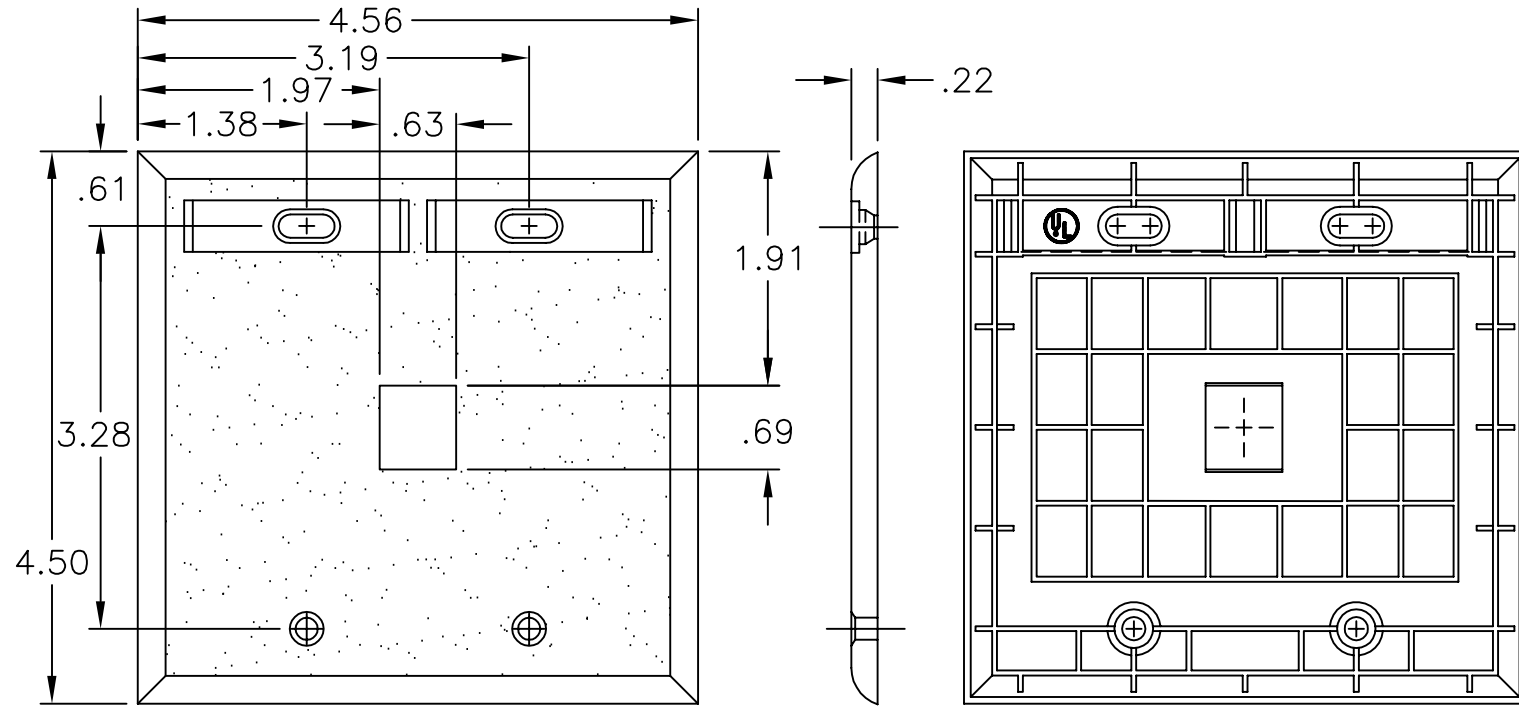
FEATURES/MATERIALS:

- DOUBLE-GANG FACEPLATES PROVIDE A COST-EFFECTIVE MOUNTING FOR THE ACCESS SERIES OF UTP JACKS AND MULTI-APPLICATION ADAPTERS.
- CUSTOM BEZELS ARE AVAILABLE IN A WIDE VARIETY OF COLORS AND ICONS TO PROVIDE VERSATILE PORT DESIGNATION.
- JACKS AND BEZELS ARE CONSTRUCTED OF HIGH-IMPACT, SELF-EXTINGUISHING PLASTIC, RATED 94V-0

CODE & COMPLIANCE:

- UL LISTED.

REV		SHT		DESCRIPTION	DATE	ECN	CHECKED
A	ALL	RELEASE	NEW		7/30/01	NEW	RBS



FRONT VIEW

RIGHT SIDE

BACK VIEW

10053501	FACEPLATE, DG, UMJX1, OFF. WHITE
10053500	FACEPLATE, DG, UMJX1, ELEC. IVORY
OCC PART NO.	DESCRIPTION

UNCONTROLLED COPY

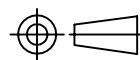
UNLESS OTHERWISE SPECIFIED
DIMENSIONS ARE IN INCHES
TOLERANCES:
FRACTIONS $\pm 1/32"$
ANGLES $\pm 1/2"$
3 PLACE DECIMALS $\pm .005"$
2 PLACE DECIMALS $\pm .01"$

THIS DRAWING AND THE DESIGN SHOWN ARE THE
PROPERTY OF OPTICAL CABLE CORPORATION AND
MAY NOT BE USED AS THE BASIS FOR MANU-
FACTURE OR SALE WITHOUT SPECIFIC WRITTEN
PERMISSION OF OPTICAL CABLE CORPORATION.



5290 Concourse Drive
Roanoke, VA 24019
Phone: 800-622-7711
Fax: 540-265-0724
www.occfiber.com

THIRD
ANGLE
PROJECTION



MATERIAL
THERMOPLASTIC
SEE NOTES

CRITICAL DIMENSION CODE
Ⓢ = FUNCTION
Ⓜ = MATING
Ⓐ = AUDIT

FINISH
SEE NOTES

DRAWN BY D.A.HOLBERT DATE 7/30/01
CHECKED BY R.B.SMITH DATE 11/15/01
ENGINEER J.YANIK DATE 7/30/01
APPROVED H.JOHNSON DATE 6/29/10
PREVIOUS DWG
NEXT DWG

DWG TITLE
FACEPLATE, DOUBLE-GANG,
UMJX1 MTG

SIZE B	DWG NO. C100535	REV A
-----------	--------------------	----------

FILENAME C100535A.DWG	SCALE NONE	SHEET 1 OF 1
--------------------------	---------------	-----------------