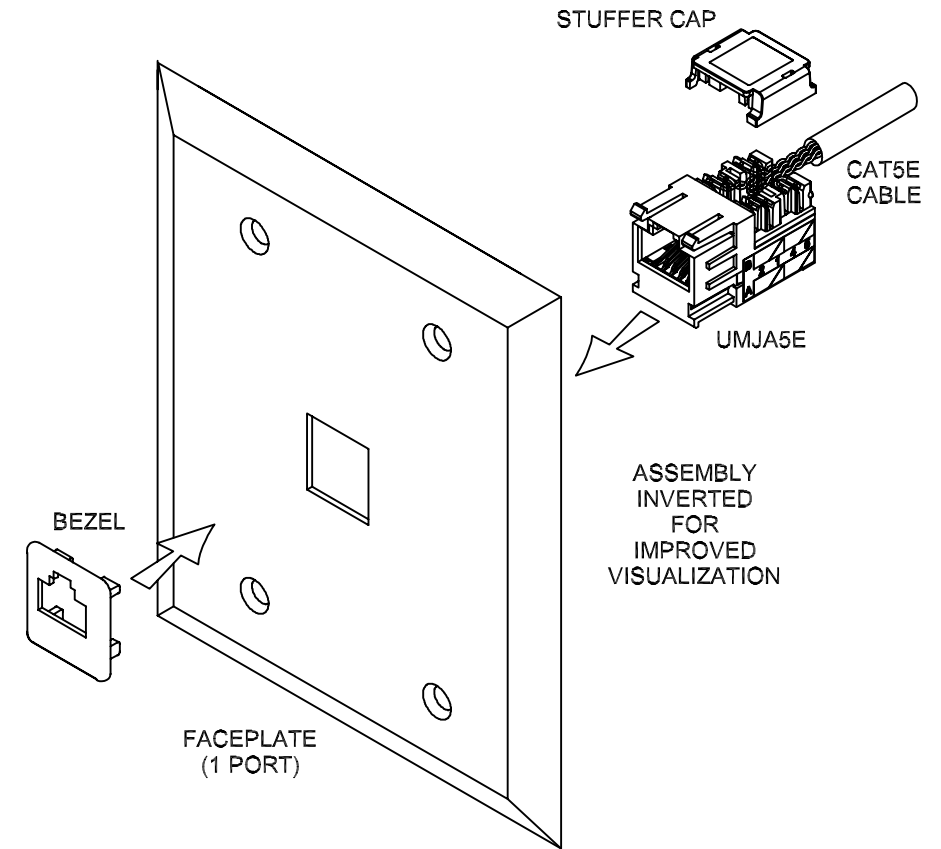
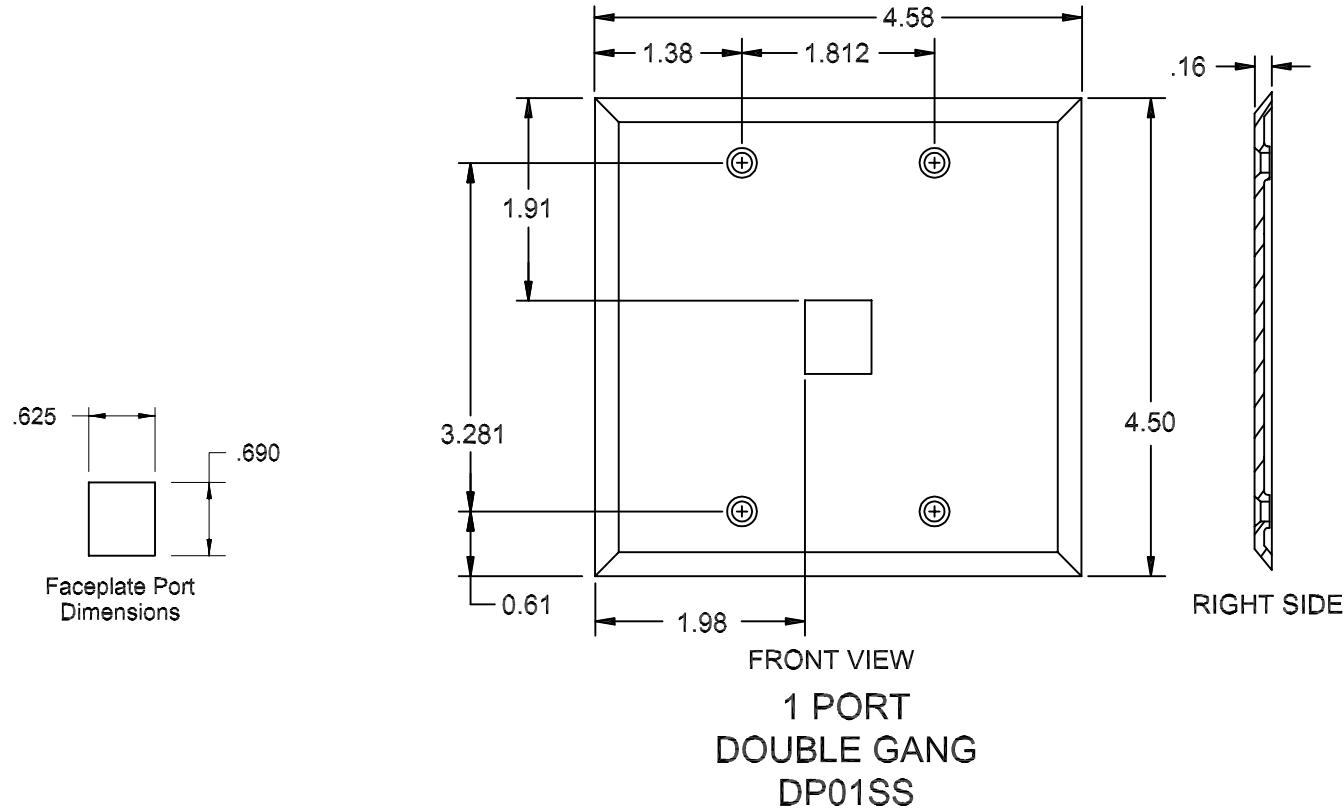


REVISION HISTORY					
REV	SHT	DESCRIPTION	DATE	ECN	CHECKED
A	ALL	RELEASE NEW	8/29/01	NEW	RBS
B	-	ADDED: SPECIFICATION NOTES	6/24/04	-	RBS
C	-	ADDED: GENERAL NOTES	3/15/05	-	RBS
D	-	ADDED: RIGHT SIDE VIEW	5/11/05	-	JH



SPECIFICATIONS

FEATURES/MATERIALS:

ONE PORT DOUBLE GANG FACEPLATES PROVIDE A COST-EFFECTIVE MOUNTING FOR UMJ JACKS AND MULTI-APPLICATION ADAPTERS.

CODE & COMPLIANCE:

UL LISTED.

NOTES: UNLESS OTHERWISE SPECIFIED.

1. EACH FACEPLATE ASSEMBLY IS SUPPLIED WITH A HARDWARE KIT CONSISTING OF (QTY 4 each) SCREW #6-32 X 1" STAINLESS STEEL.
2. UMJ JACK ASSEMBLY(S) WITH STUFFER CAP AND BEZEL ARE SOLD SEPERATELY FROM FACEPLATE ASSEMBLY.

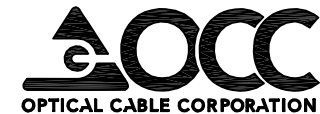
UNCONTROLLED COPY

DP01SS	FACEPLATE, DOUBLE-GANG, SMOOTH, UMJ, 1 PORT, STAINLESS STEEL
OCC PART NO.	DESCRIPTION

UNCONTROLLED COPY

UNLESS OTHERWISE SPECIFIED DIMENSIONS ARE IN INCHES.
 TOLERANCES: FRACTIONS ±1/32"
 ANGLES ±1/2°
 3 PLACE DECIMALS ±.005"
 2 PLACE DECIMALS ±.01"

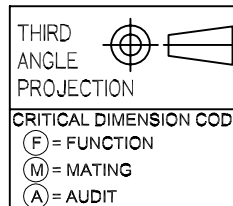
DRAWN	D.A.HOLBERT	DATE	8/29/01
CHECKED	R.B.SMITH	DATE	3/22/05
ENGINEER	J.YANIK	DATE	8/29/01
APPROVED	J.HOWE	DATE	5/11/05
PREVIOUS DWG			
NEXT DWG		FILENAME	C:104961D.DFT



5290 Concourse Drive
 Roanoke, VA 24019
 Phone: 800-622-7711
 Fax: 540-265-0724
 www.occfiber.com

DWG TITLE **CUSTOMER DRAWING, FACEPLATE, UMJ x 1 PORT, DOUBLE GANG, SMOOTH**

SIZE	B	DWG NO.	C104961	REV	D
SCALE:	NONE	SHEET	1 OF 1		



MATERIAL
 20 GAGE
 STAINLESS STEEL

FINISH
 SMOOTH
 SEE NOTES