

SPECIFICATIONS

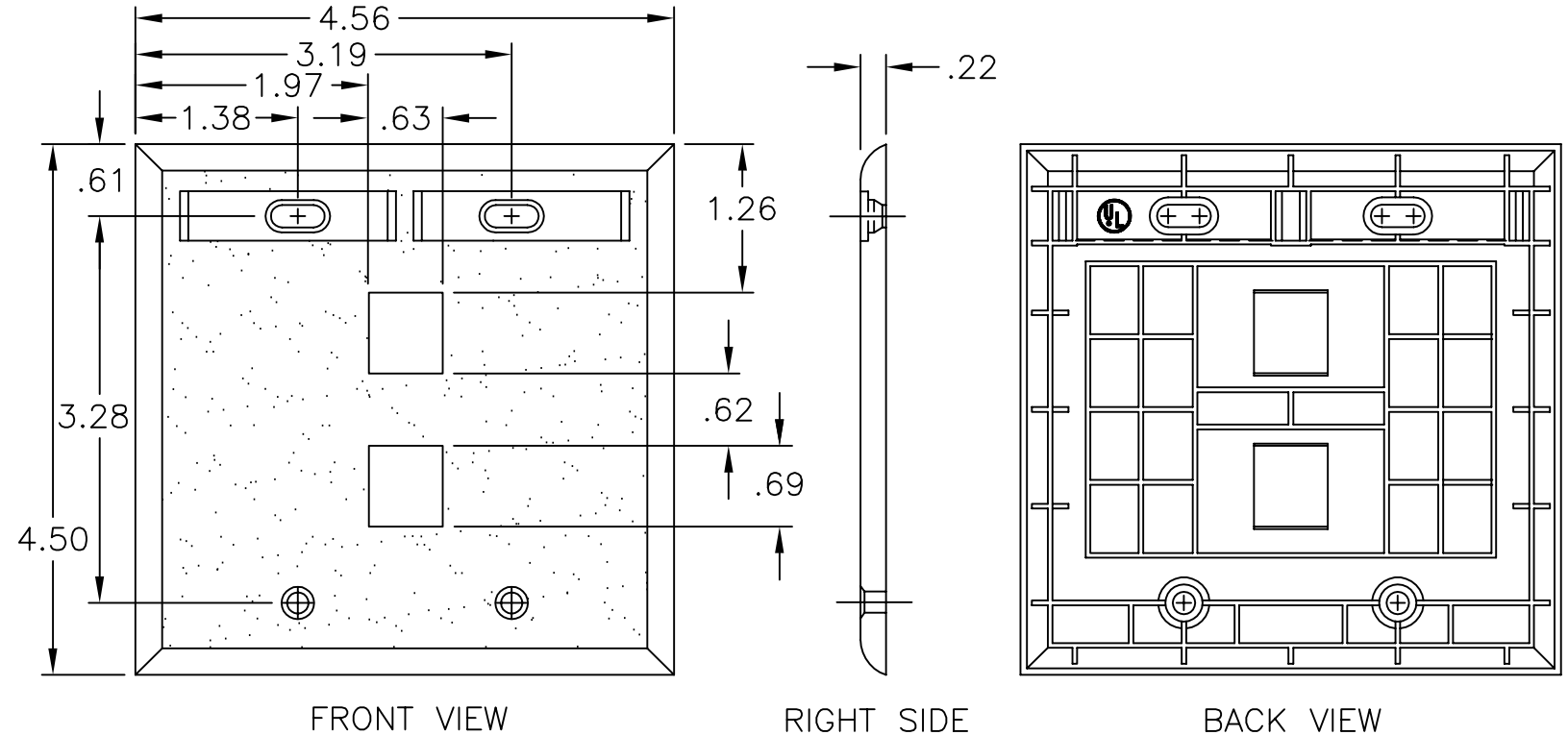
FEATURES/MATERIALS:

- DOUBLE-GANG FACEPLATES PROVIDE A COST-EFFECTIVE MOUNTING FOR THE AXCESS SERIES OF UTP JACKS AND MULTI-APPLICATION ADAPTERS.
- CUSTOM BEZELS ARE AVAILABLE IN A WIDE VARIETY OF COLORS AND ICONS TO PROVIDE VERSATILE PORT DESIGNATION.
- JACKS AND BEZELS ARE CONSTRUCTED OF HIGH-IMPACT, SELF-EXTINGUISHING PLASTIC, RATED 94V-0

CODE & COMPLIANCE:

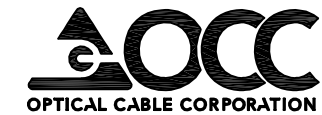
- UL LISTED.

REV		SHT		DESCRIPTION		DATE	ECN	CHECKED
A	ALL	RELEASE	NEW			7/30/01	NEW	RBS



10053601	FACEPLATE, DG, UMJX2, OFF. WHITE
10053600	FACEPLATE, DG, UMJX2, ELEC. IVORY
OCC PART NO.	DESCRIPTION

UNCONTROLLED COPY		DRAWN BY		DATE		DWG TITLE	
UNLESS OTHERWISE SPECIFIED DIMENSIONS ARE IN INCHES TOLERANCES: FRACTIONS $\pm 1/32"$ ANGLES $\pm 1/2"$ 3 PLACE DECIMALS $\pm .005"$ 2 PLACE DECIMALS $\pm .01"$		D.A.HOLBERT		7/30/01		FACEPLATE, DOUBLE-GANG, UMJX2 MTG	
MATERIAL THERMOPLASTIC SEE NOTES		CHECKED BY R.B.SMITH		DATE 11/15/01		SIZE B	
FINISH SEE NOTES		ENGINEER J.YANIK		DATE 7/30/01		DWG NO. C100536	
THIRD ANGLE PROJECTION		APPROVED H.JOHNSON		DATE 6/29/10		REV A	
CRITICAL DIMENSION CODE Ⓢ = FUNCTION Ⓜ = MATING Ⓐ = AUDIT		PREVIOUS DWG		NEXT DWG		FILENAME C100536A.DWG	
						SCALE NONE	
						SHEET 1 OF 1	



5290 Concourse Drive
Roanoke, VA 24019
Phone: 800-622-7711
Fax: 540-265-0724
www.occfiber.com