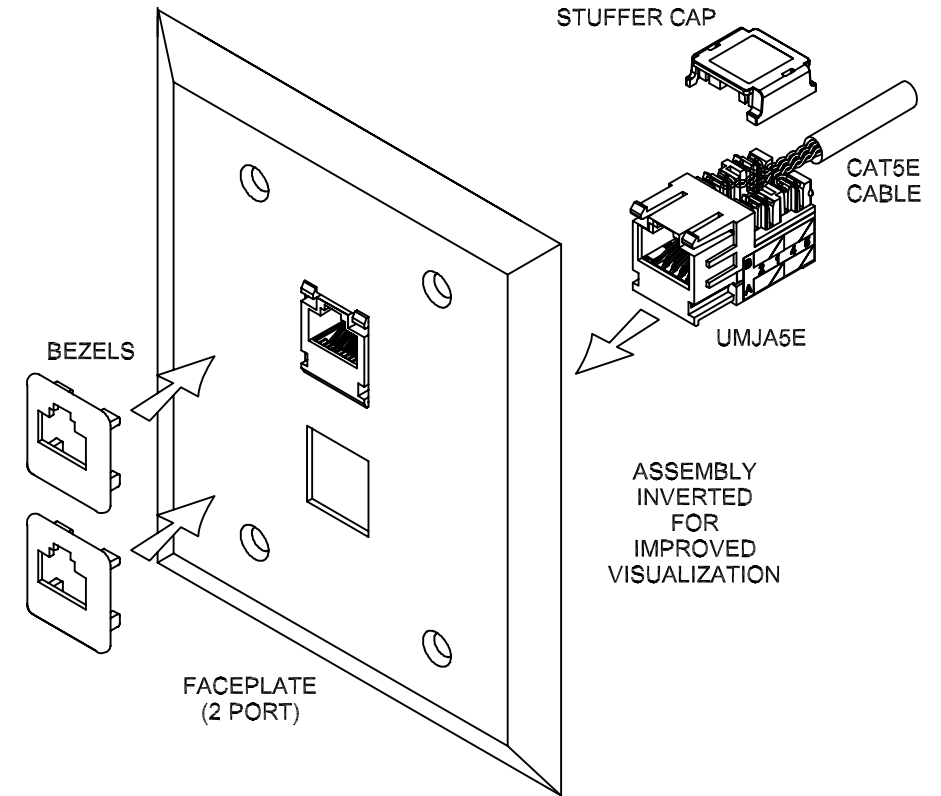
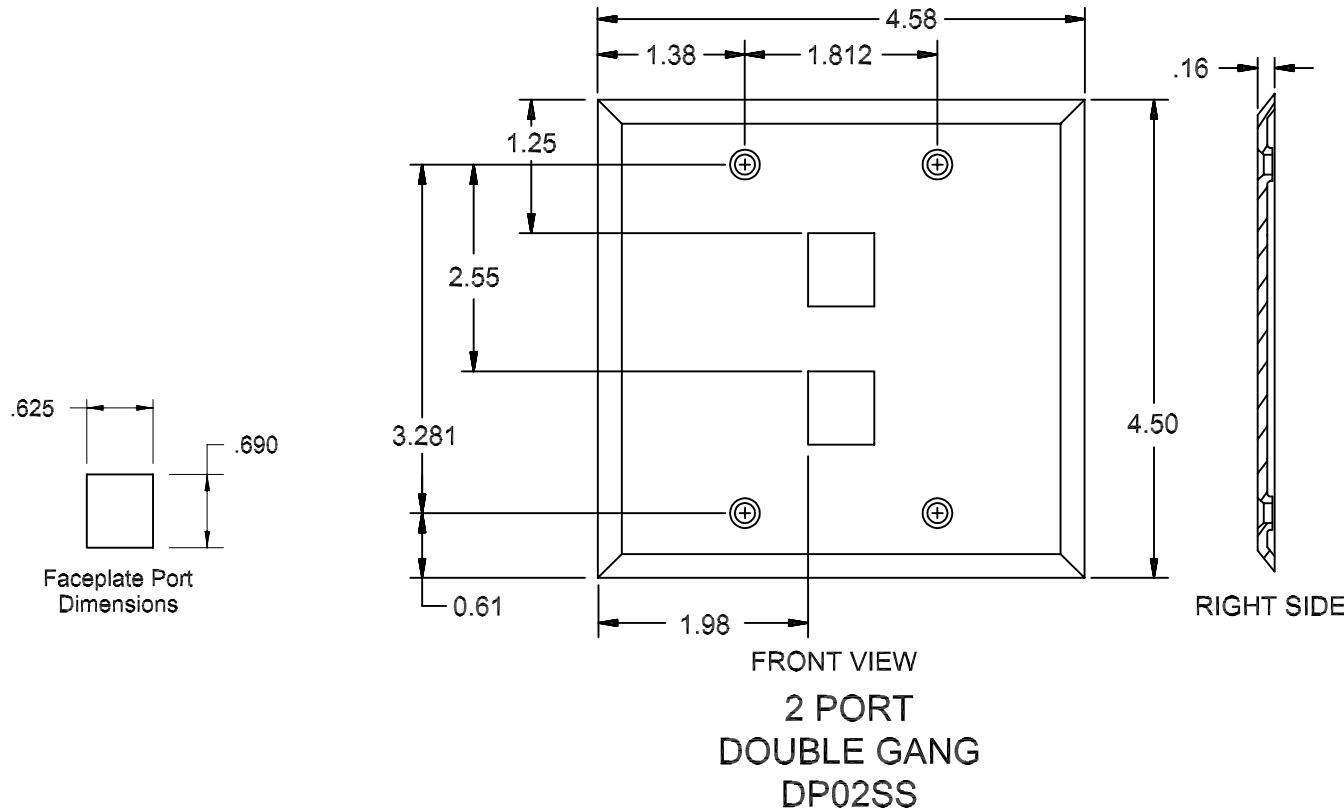


REVISION HISTORY					
REV	SHT	DESCRIPTION	DATE	ECN	CHECKED
A	ALL	RELEASE NEW	8/29/01	NEW	RBS
B	-	ADDED: SPECIFICATION NOTES	6/24/04	-	RBS
C	-	ADDED: GENERAL NOTES	3/15/05	-	RBS
D	-	ADDED: RIGHT SIDE VIEW	5/11/05	-	JH



## SPECIFICATIONS

### FEATURES/MATERIALS:

TWO PORT DOUBLE GANG FACEPLATES PROVIDE A COST-EFFECTIVE MOUNTING FOR UMJ JACKS AND MULTI-APPLICATION ADAPTERS.

### CODE & COMPLIANCE:

UL LISTED.

NOTES: UNLESS OTHERWISE SPECIFIED.

1. EACH FACEPLATE ASSEMBLY IS SUPPLIED WITH A HARDWARE KIT CONSISTING OF (QTY 4 each) SCREW #6-32 X 1" STAINLESS STEEL.
2. UMJ JACK ASSEMBLY(S) WITH STUFFER CAP AND BEZEL ARE SOLD SEPERATELY FROM FACEPLATE ASSEMBLY.

UNCONTROLLED COPY

DP02SS	FACEPLATE, DOUBLE-GANG, SMOOTH, UMJ, 2 PORT, STAINLESS STEEL
OCC PART NO.	DESCRIPTION

UNCONTROLLED COPY	
UNLESS OTHERWISE SPECIFIED DIMENSIONS ARE IN INCHES. TOLERANCES: FRACTIONS ±1/32" ANGLES ±1/2° 3 PLACE DECIMALS ±.005" 2 PLACE DECIMALS ±.01"	THIS DRAWING AND THE DESIGN SHOWN ARE THE PROPERTY OF OPTICAL CABLE CORPORATION AND MAY NOT BE USED AS THE BASIS FOR MANUFACTURE OR SALE WITHOUT SPECIFIC WRITTEN PERMISSION OF OPTICAL CABLE CORPORATION.
MATERIAL 20 GAGE STAINLESS STEEL	FINISH SMOOTH SEE NOTES
DRAWN D.A.HOLBERT	DATE 8/29/01
CHECKED R.B.SMITH	DATE 3/22/05
ENGINEER J.YANIK	DATE 8/29/01
APPROVED J.HOWE	DATE 5/11/05
PREVIOUS DWG	
NEXT DWG	FILENAME C:104962D.DFT

 <b>OPTICAL CABLE CORPORATION</b>	5290 Concourse Drive Roanoke, VA 24019 Phone: 800-622-7711 Fax: 540-265-0724 www.occfiber.com	
	<b>DWG TITLE</b> CUSTOMER DRAWING, FACEPLATE, UMJ x 2 PORT, DOUBLE GANG, SMOOTH	
SIZE <b>B</b>	DWG NO. <b>C104962</b>	REV <b>D</b>
SCALE: NONE	SHEET 1 OF 1	

