

SPECIFICATIONS

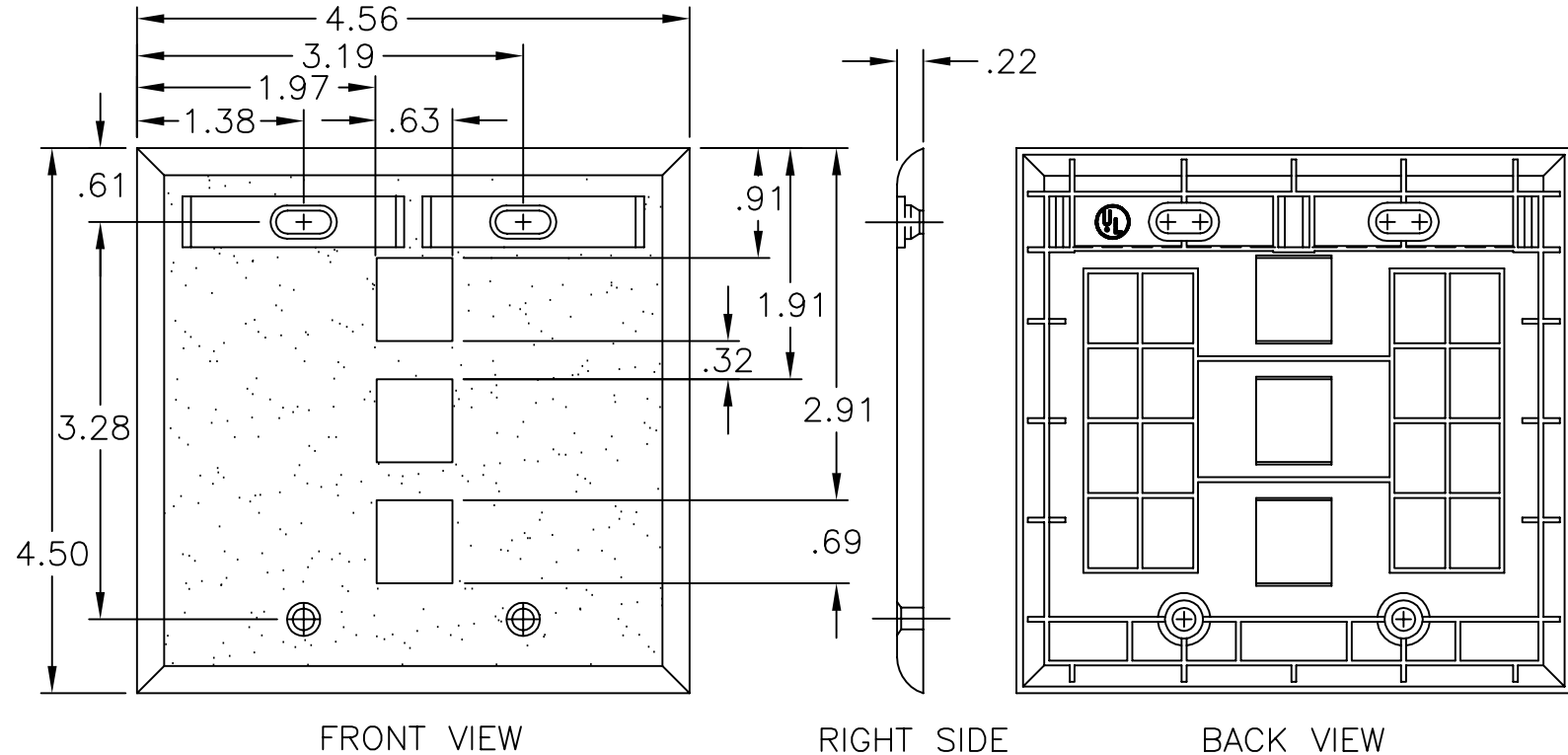
FEATURES/MATERIALS:

- DOUBLE-GANG FACEPLATES PROVIDE A COST-EFFECTIVE MOUNTING FOR THE AXCESS SERIES OF UTP JACKS AND MULTI-APPLICATION ADAPTERS.
- CUSTOM BEZELS ARE AVAILABLE IN A WIDE VARIETY OF COLORS AND ICONS TO PROVIDE VERSATILE PORT DESIGNATION.
- JACKS AND BEZELS ARE CONSTRUCTED OF HIGH-IMPACT, SELF-EXTINGUISHING PLASTIC, RATED 94V-0

CODE & COMPLIANCE:

- UL LISTED.

REV		SHT	DESCRIPTION	DATE	ECN	CHECKED
A	ALL	RELEASE	NEW	7/30/01	NEW	RBS



10053701	FACEPLATE, DG, UMJX3, OFF. WHITE
10053700	FACEPLATE, DG, UMJX3, ELEC. IVORY
OCC PART NO.	DESCRIPTION

UNCONTROLLED COPY

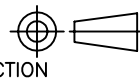
UNLESS OTHERWISE SPECIFIED
DIMENSIONS ARE IN INCHES
TOLERANCES:
FRACTIONS $\pm 1/32"$
ANGLES $\pm 1/2"$
3 PLACE DECIMALS $\pm .005"$
2 PLACE DECIMALS $\pm .01"$

THIS DRAWING AND THE DESIGN SHOWN ARE THE
PROPERTY OF OPTICAL CABLE CORPORATION AND
MAY NOT BE USED AS THE BASIS FOR MANU-
FACTURE OR SALE WITHOUT SPECIFIC WRITTEN
PERMISSION OF OPTICAL CABLE CORPORATION.



5290 Concourse Drive
Roanoke, VA 24019
Phone: 800-622-7711
Fax: 540-265-0724
www.occfiber.com

THIRD
ANGLE
PROJECTION



MATERIAL
THERMOPLASTIC
SEE NOTES

CRITICAL DIMENSION CODE
Ⓢ = FUNCTION
Ⓜ = MATING
Ⓐ = AUDIT

FINISH
SEE NOTES

DRAWN BY D.A.HOLBERT DATE 7/30/01
CHECKED BY R.B.SMITH DATE 11/15/01
ENGINEER J.YANIK DATE 7/30/01
APPROVED H.JOHNSON DATE 6/29/10
PREVIOUS DWG
NEXT DWG

DWG TITLE
FACEPLATE, DOUBLE-GANG,
UMJX3 MTG

SIZE B DWG NO. C100537 REV A

FILENAME C100537A.DWG SCALE NONE SHEET 1 OF 1