

# SPECIFICATIONS

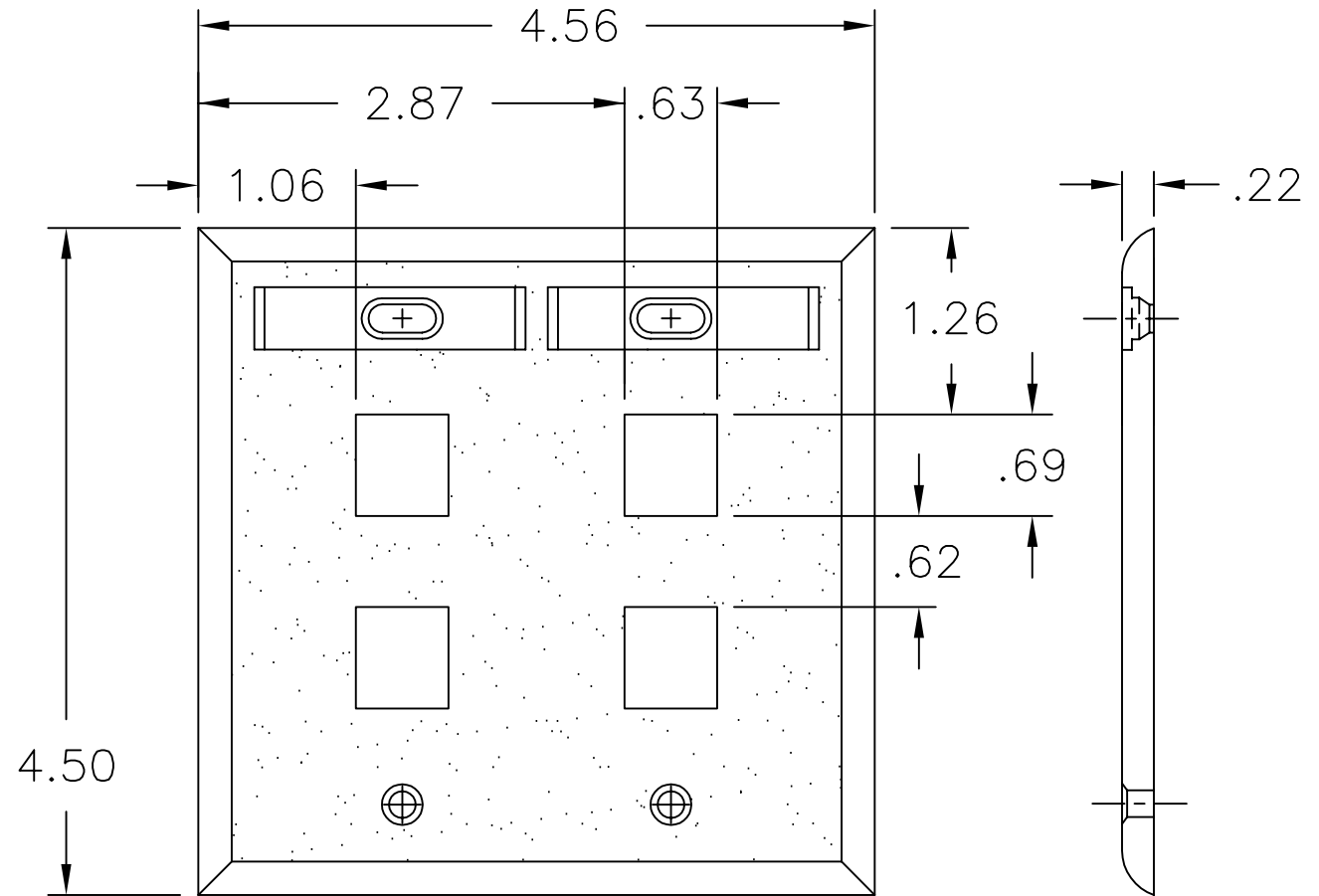
REVOLUTIONS			DATE	ECN	CHECKED
REV	SHT	DESCRIPTION			
A	ALL	RELEASE NEW	7/30/01	NEW	RBS

## FEATURES/MATERIALS:

- DOUBLE-GANG FACEPLATES PROVIDE A COST-EFFECTIVE MOUNTING FOR THE AXCESS SERIES OF UTP JACKS AND MULTI-APPLICATION ADAPTERS.
- CUSTOM BEZELS ARE AVAILABLE IN A WIDE VARIETY OF COLORS AND ICONS TO PROVIDE VERSATILE PORT DESIGNATION.
- JACKS AND BEZELS ARE CONSTRUCTED OF HIGH-IMPACT, SELF-EXTINGUISHING PLASTIC, RATED 94V-0

## CODE & COMPLIANCE:

- UL LISTED.



FRONT

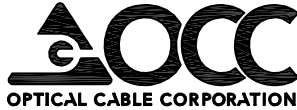
RIGHT SIDE

DP04SS	FACEPLATE, DBL GANG, UMJ X 4, STN STL
DP0407	FACEPLATE, DBL GANG, UMJ X 4, WHITE
DP0406	FACEPLATE, DBL GANG, UMJ X 4, GRAY
DP0401	FACEPLATE, DBL GANG, UMJ X 4, OFF. WHITE
DP0400	FACEPLATE, DBL GANG, UMJ X 4, ELEC. IVORY
OCC PART NO.	DESCRIPTION

100538SS	FACEPLATE, DBL GANG, UMJ X 4, STN STL
10053807	FACEPLATE, DBL GANG, UMJ X 4, WHITE
10053806	FACEPLATE, DBL GANG, UMJ X 4, GRAY
10053801	FACEPLATE, DBL GANG, UMJ X 4, OFF. WHITE
10053800	FACEPLATE, DBL GANG, UMJ X 4, ELEC. IVORY
OCC PART NO.	DESCRIPTION

THIRD ANGLE PROJECTION

CRITICAL DIMENSION CODE  
 (F) = FUNCTION  
 (M) = MATING  
 (A) = AUDIT

UNCONTROLLED COPY				 5290 Concourse Drive Roanoke, VA 24019 Phone: 800-622-7711 Fax: 540-265-0724 www.occfiber.com	
UNLESS OTHERWISE SPECIFIED DIMENSIONS ARE IN INCHES TOLERANCES: FRACTIONS ±1/32" ANGLES ±1/2" 3 PLACE DECIMALS ±.005" 2 PLACE DECIMALS ±.01"				THIS DRAWING AND THE DESIGN SHOWN ARE THE PROPERTY OF OPTICAL CABLE CORPORATION AND MAY NOT BE USED AS THE BASIS FOR MANUFACTURE OR SALE WITHOUT SPECIFIC WRITTEN PERMISSION OF OPTICAL CABLE CORPORATION.	
MATERIAL		DRAWN BY		DATE	
THERMOPLASTIC		D.A.HOLBERT		7/30/01	
SEE NOTES		CHECKED BY		DATE	
		R.B.SMITH		11/27/01	
		ENGINEER		DATE	
		J.YANIK		7/30/01	
		APPROVED		DATE	
		H.JOHNSON		6/29/10	
		PREVIOUS DWG		SIZE	
				A	
		NEXT DWG		DWG NO.	
				C100538	
		FILENAME		REV	
		C100538A.DWG		A	
		SCALE		SHEET	
		NONE		1 OF 1	