

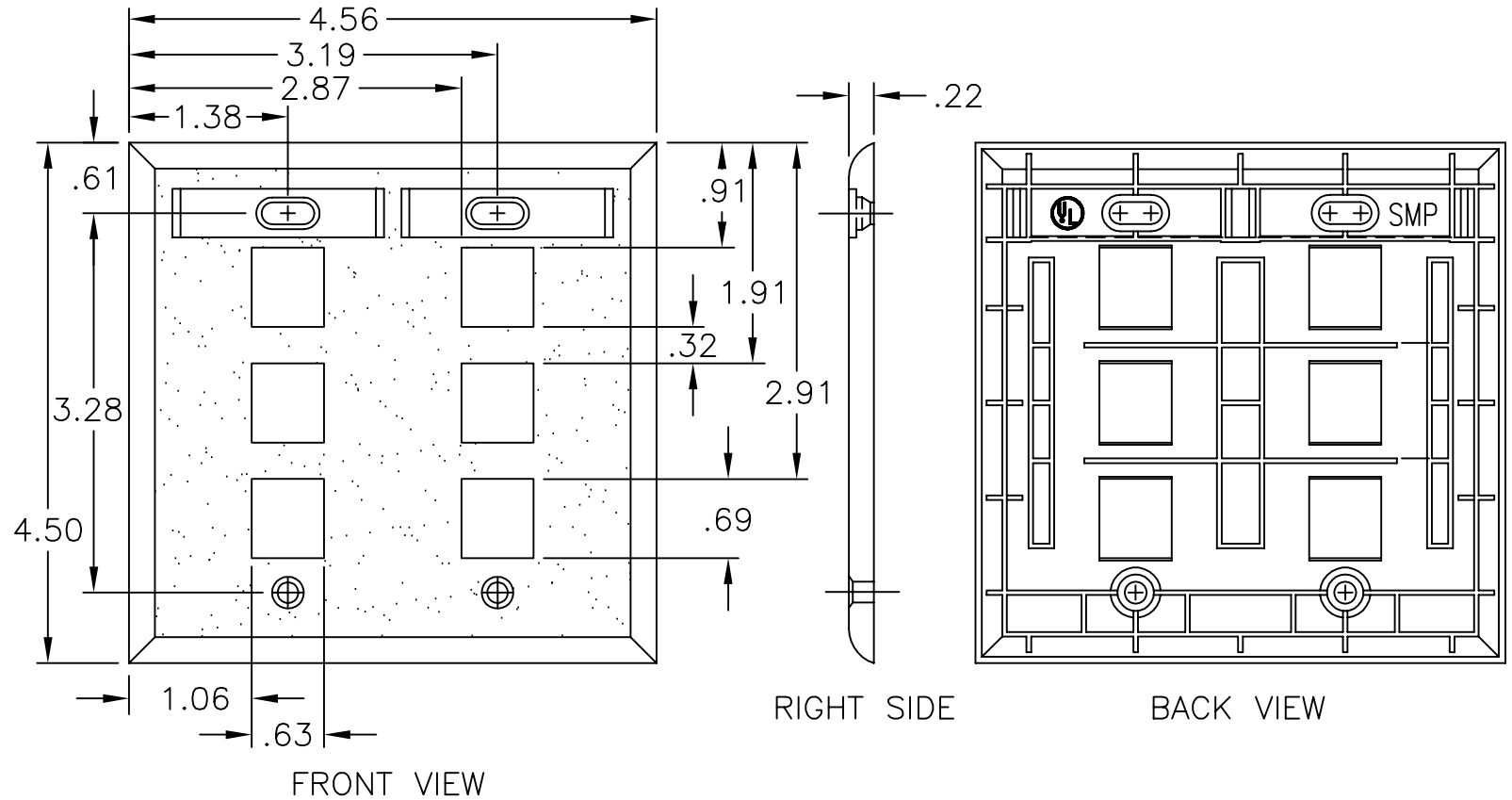
SPECIFICATIONS

FEATURES/MATERIALS:

- DOUBLE-GANG FACEPLATES PROVIDE A COST-EFFECTIVE MOUNTING FOR THE AXCESS SERIES OF UTP JACKS AND MULTI-APPLICATION ADAPTERS.
- CUSTOM BEZELS ARE AVAILABLE IN A WIDE VARIETY OF COLORS AND ICONS TO PROVIDE VERSATILE PORT DESIGNATION.
- JACKS AND BEZELS ARE CONSTRUCTED OF HIGH-IMPACT, SELF-EXTINGUISHING PLASTIC, RATED 94V-0

CODE & COMPLIANCE:

- UL LISTED.



OCC PART NO.	DESCRIPTION
10053907	FACEPLATE, DG, UMJX6, WHITE
10053906	FACEPLATE, DG, UMJX6, GREY
10053901	FACEPLATE, DG, UMJX6, OFF. WHITE
10053900	FACEPLATE, DG, UMJX6, ELEC. IVORY

UNCONTROLLED COPY		OCC OPTICAL CABLE CORPORATION		5290 Concourse Drive Roanoke, VA 24019 Phone: 800-622-7711 Fax: 540-265-0724 www.occfiber.com	
UNLESS OTHERWISE SPECIFIED DIMENSIONS ARE IN INCHES TOLERANCES: FRACTIONS ±1/32" ANGLES ±1/2" 3 PLACE DECIMALS ±.005" 2 PLACE DECIMALS ±.01"		THIS DRAWING AND THE DESIGN SHOWN ARE THE PROPERTY OF OPTICAL CABLE CORPORATION AND MAY NOT BE USED AS THE BASIS FOR MANUFACTURE OR SALE WITHOUT SPECIFIC WRITTEN PERMISSION OF OPTICAL CABLE CORPORATION.		DWG TITLE FACEPLATE, DOUBLE-GANG, UMJX6 MTG	
THIRD ANGLE PROJECTION	MATERIAL THERMOPLASTIC SEE NOTES	DRAWN BY D.A.HOLBERT	DATE 7/30/01	SIZE B	DWG NO. C100539
CRITICAL DIMENSION CODE ⓕ = FUNCTION Ⓜ = MATING ⓐ = AUDIT	FINISH SEE NOTES	CHECKED BY R.B.SMITH	DATE 11/15/01	SCALE NONE	REV A
		ENGINEER J.YANIK	DATE 7/30/01	SHEET 1 OF 1	
		APPROVED H.JOHNSON	DATE 6/29/10		
		PREVIOUS DWG			
		NEXT DWG	FILENAME C100539A.DWG		