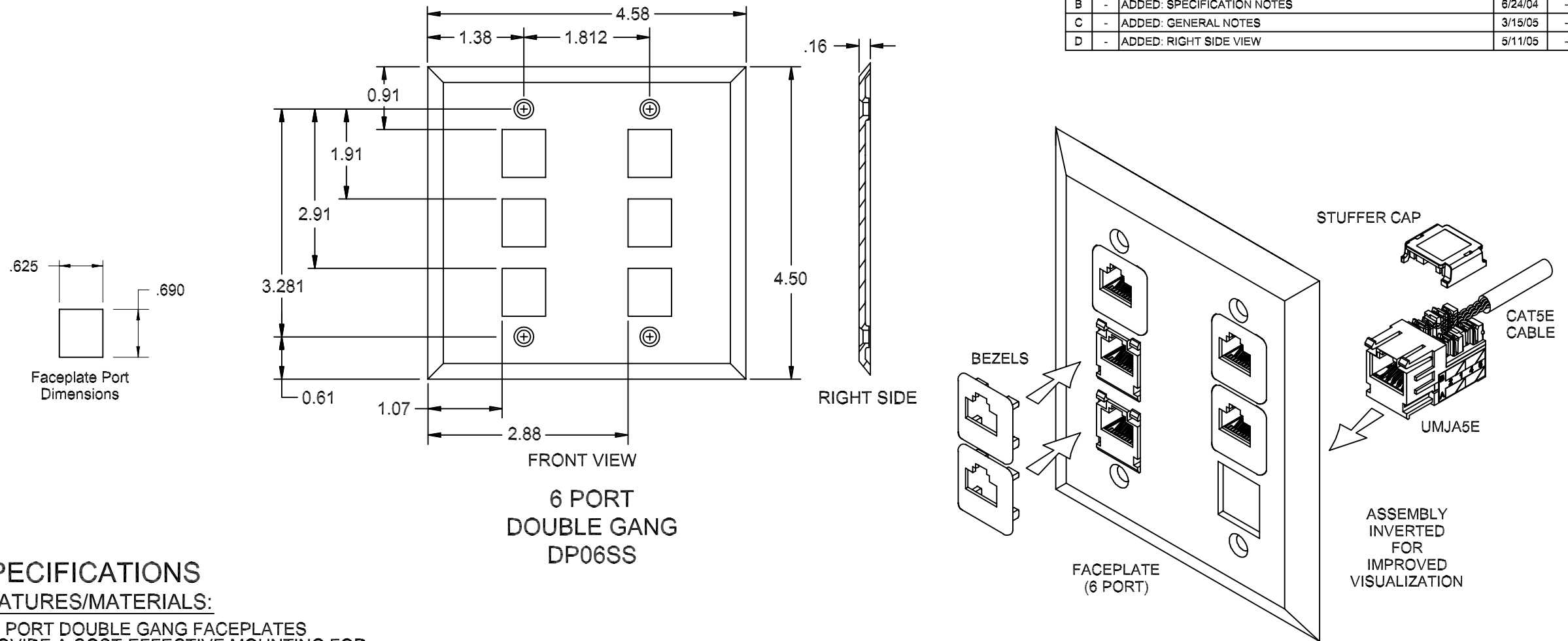


REVISION HISTORY				
REV	SHT	DESCRIPTION	DATE	CHECKED
A	ALL	RELEASE NEW	8/29/01	RBS
B	-	ADDED: SPECIFICATION NOTES	6/24/04	RBS
C	-	ADDED: GENERAL NOTES	3/15/05	RBS
D	-	ADDED: RIGHT SIDE VIEW	5/11/05	JH



SPECIFICATIONS

FEATURES/MATERIALS:

SIX PORT DOUBLE GANG FACEPLATES PROVIDE A COST-EFFECTIVE MOUNTING FOR UMJ JACKS AND MULTI-APPLICATION ADAPTERS.

CODE & COMPLIANCE:

UL LISTED.

NOTES: UNLESS OTHERWISE SPECIFIED.

1. EACH FACEPLATE ASSEMBLY IS SUPPLIED WITH A HARDWARE KIT CONSISTING OF (QTY 4 each) SCREW #6-32 X 1" STAINLESS STEEL.
2. UMJ JACK ASSEMBLY(S) WITH STUFFER CAP AND BEZEL ARE SOLD SEPERATELY FROM FACEPLATE ASSEMBLY.

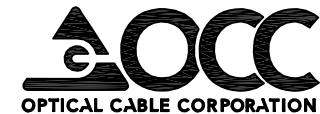
UNCONTROLLED COPY

DP06SS	FACEPLATE, DOUBLE-GANG, SMOOTH, UMJ, 6 PORT, STAINLESS STEEL
OCC PART NO.	DESCRIPTION

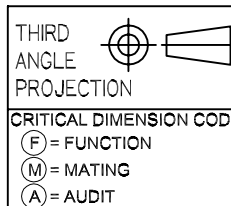
UNCONTROLLED COPY

UNLESS OTHERWISE SPECIFIED DIMENSIONS ARE IN INCHES.
TOLERANCES: FRACTIONS $\pm 1/32"$
ANGLES $\pm 1/2^\circ$
3 PLACE DECIMALS $\pm .005"$
2 PLACE DECIMALS $\pm .01"$

THIS DRAWING AND THE DESIGN SHOWN ARE THE PROPERTY OF OPTICAL CABLE CORPORATION AND MAY NOT BE USED AS THE BASIS FOR MANUFACTURE OR SALE WITHOUT SPECIFIC WRITTEN PERMISSION OF OPTICAL CABLE CORPORATION.



5290 Concourse Drive
Roanoke, VA 24019
Phone: 800-622-7711
Fax: 540-265-0724
www.occfiber.com



MATERIAL 20 GAGE STAINLESS STEEL	FINISH SMOOTH SEE NOTES
--	-------------------------------

DRAWN	D.A.HOLBERT	DATE	8/29/01
CHECKED	R.B.SMITH	DATE	3/22/05
ENGINEER	J.YANIK	DATE	8/29/01
APPROVED	J.HOWE	DATE	5/11/05
PREVIOUS DWG			
NEXT DWG		FILENAME	C:104966D.DFT

DWG TITLE			
CUSTOMER DRAWING, FACEPLATE, UMJ x 6 PORT, DOUBLE GANG, SMOOTH			
SIZE	DWG NO.	REV	
B	C104966	D	
SCALE:	NONE	SHEET	1 OF 1