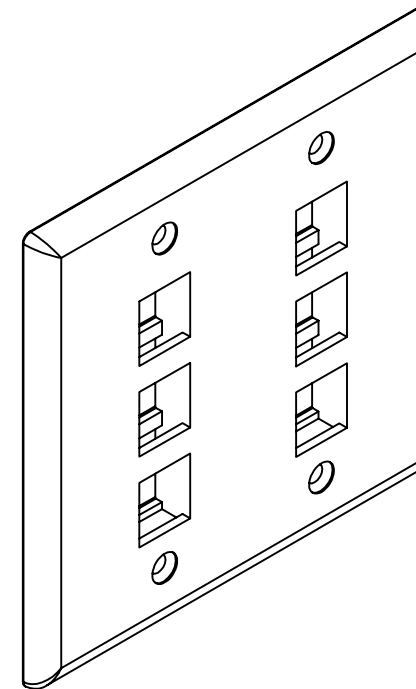
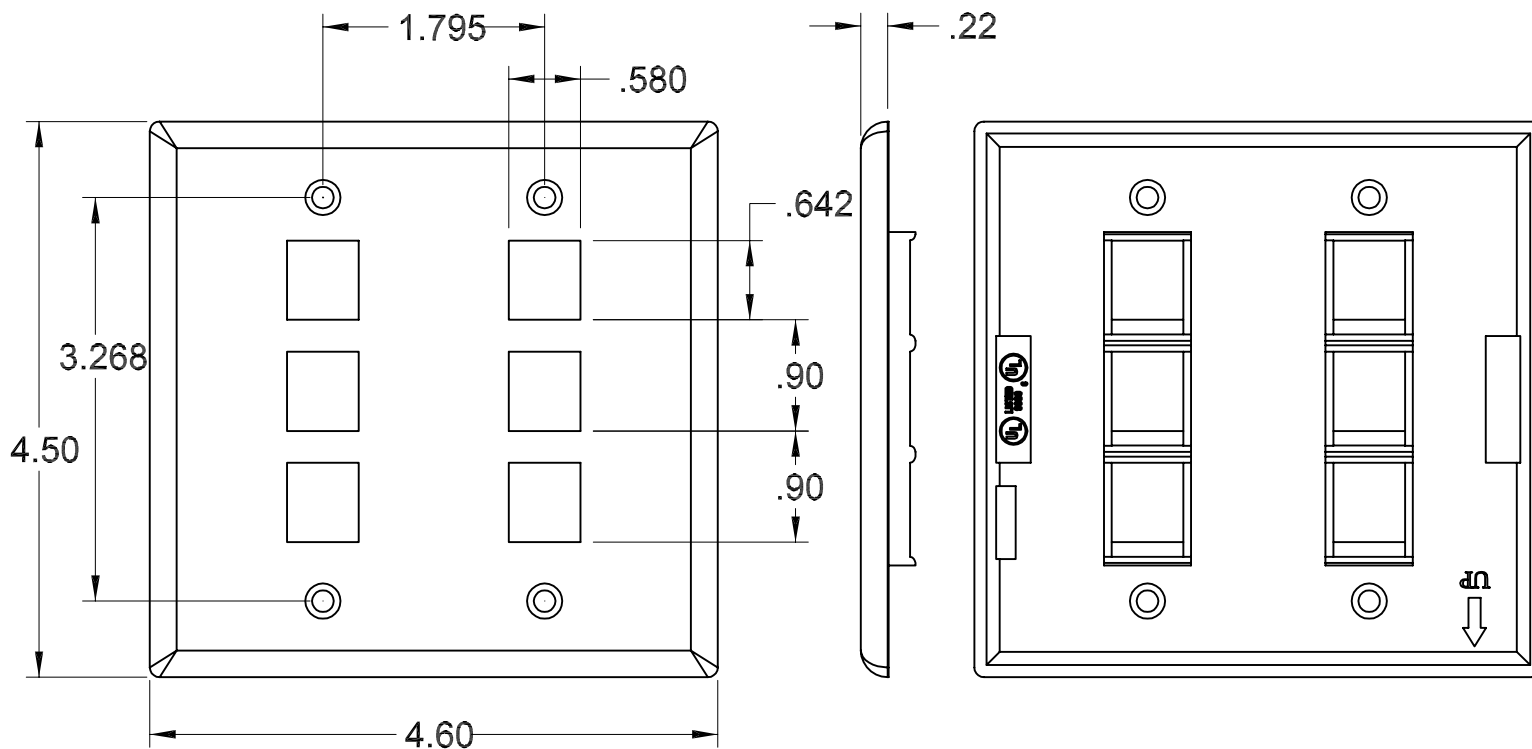
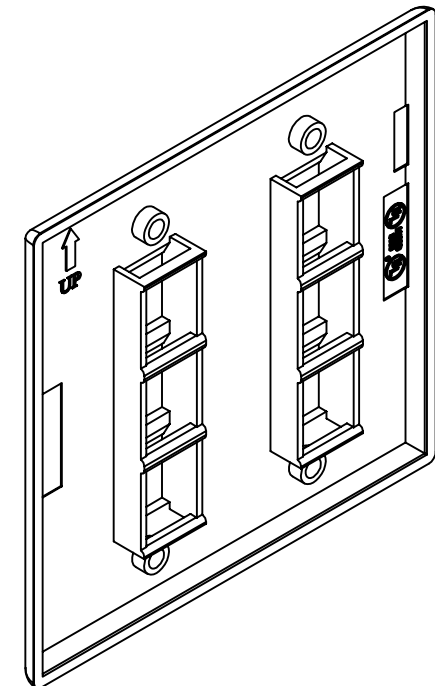


REVISION HISTORY				
REV	SHT	DESCRIPTION	DATE	CHECKED
A	ALL	RELEASE NEW	1/27/05	JS
B	-	ADDED: ISOMETRIC VIEWS	5/11/05	JH



FRONT VIEW



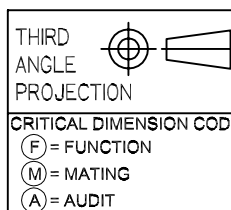
REAR VIEW

NOTES: UNLESS OTHERWISE SPECIFIED.

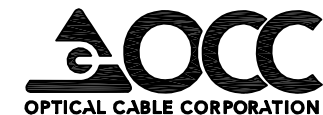
1. INCLUDES A HARDWARE KIT (4 ea. SCREWS) #6-32 X 7/8" LONG, PAINTED PER "COLOR".
2. "XX" IN PART NUMBER DESIGNATES "COLOR CODE".

SUFFIX	COLOR CODE
00	ELEC. IVORY
01	OFFICE WHITE
02	BLACK
03	RED
04	GREEN
05	BLUE
06	GREY
07	WHITE
08	ORANGE
09	YELLOW
10	PURPLE
11	BROWN
12	BRIGHT WHITE

UNCONTROLLED COPY



DPK06XX		FACEPLATE, D. GANG, FM, KMJ X 6 MTG, "COLOR", STD, RESIDENTIAL		
OCC PART NO.		DESCRIPTION		
UNCONTROLLED COPY				
UNLESS OTHERWISE SPECIFIED DIMENSIONS ARE IN INCHES. TOLERANCES: FRACTIONS ±1/32" ANGLES ±1/2° 3 PLACE DECIMALS ±.005" 2 PLACE DECIMALS ±.01"		THIS DRAWING AND THE DESIGN SHOWN ARE THE PROPERTY OF OPTICAL CABLE CORPORATION AND MAY NOT BE USED AS THE BASIS FOR MANUFACTURE OR SALE WITHOUT SPECIFIC WRITTEN PERMISSION OF OPTICAL CABLE CORPORATION.		
DRAWN	D.A.HOLBERT	DATE	1/27/05	
CHECKED	J.SHERRILL	DATE	1/31/05	
ENGINEER	J.YANIK	DATE	1/27/05	
APPROVED	J.HOWE	DATE	5/11/05	
PREVIOUS DWG				
NEXT DWG		FILENAME	C107139B.DFT	SCALE: NONE
		DWG TITLE	CUSTOMER DRAWING, FACEPLATE ASSY, FM, DBL GANG, KMJ X 6 MTG	
SIZE	B	DWG NO.	C107139	REV B
		SHEET	1 OF 1	



5290 Concourse Drive
Roanoke, VA 24019
Phone: 800-622-7711
Fax: 540-265-0724
www.occfiber.com