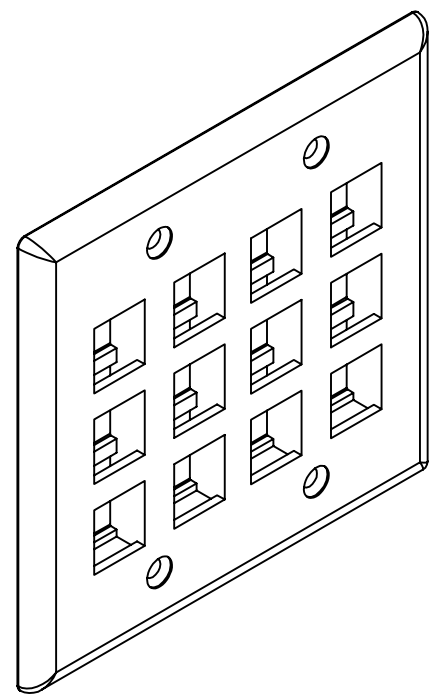
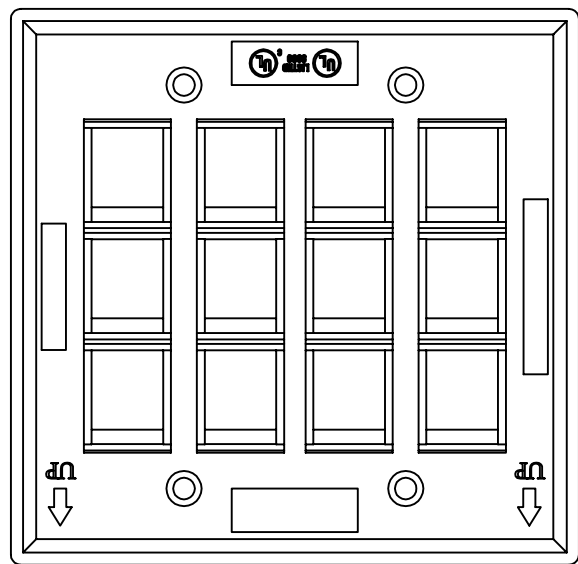
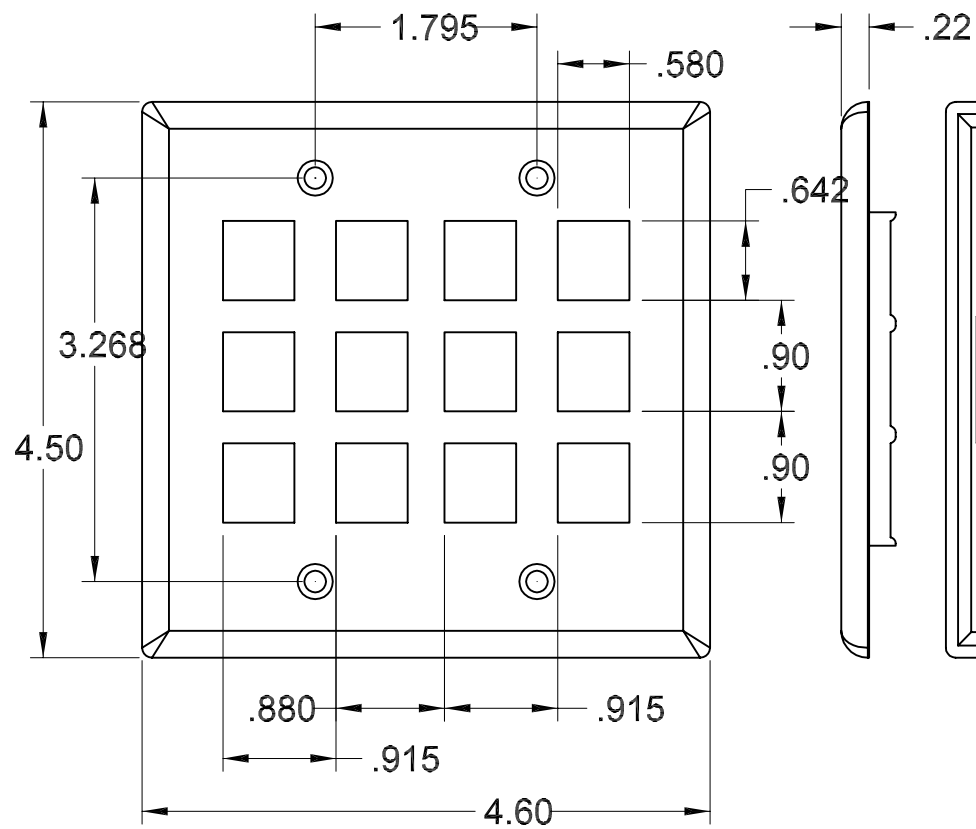
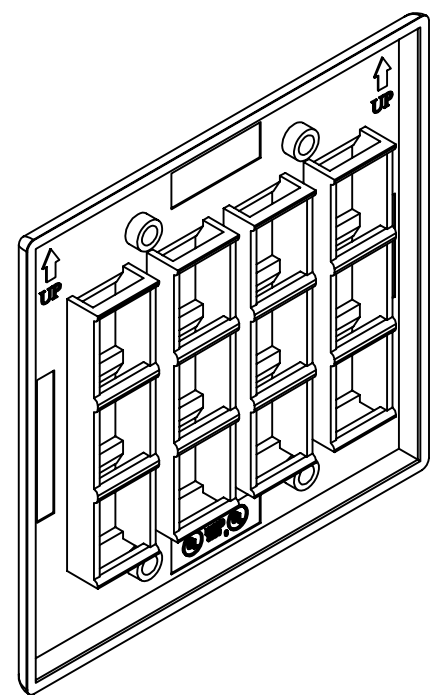


REVISION HISTORY					
REV	SHT	DESCRIPTION	DATE	ECN	CHECKED
A	ALL	RELEASE NEW	1/27/05	NEW	JS
B	-	ADDED: GENERAL NOTES	5/11/05	-	JH



FRONT VIEW

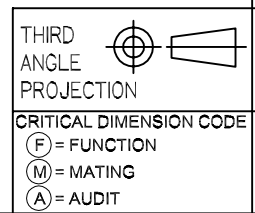


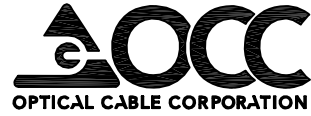
REAR VIEW

- NOTES: UNLESS OTHERWISE SPECIFIED.
1. INCLUDES A HARDWARE KIT (4 ea. SCREWS) #6-32 X 7/8" LONG, PAINTED PER "COLOR".
 2. "XX" IN PART NUMBER DESIGNATES "COLOR CODE".

SUFFIX	COLOR CODE
00	ELEC. IVORY
01	OFFICE WHITE
02	BLACK
03	RED
04	GREEN
05	BLUE
06	GREY
07	WHITE
08	ORANGE
09	YELLOW
10	PURPLE
11	BROWN
12	BRIGHT WHITE

UNCONTROLLED COPY



DPK12XX		FACEPLATE, D. GANG, FM, KMJ X 12 MTG, "COLOR", STD, RESIDENTIAL			
OCC PART NO.		DESCRIPTION			
UNCONTROLLED COPY					
UNLESS OTHERWISE SPECIFIED DIMENSIONS ARE IN INCHES. TOLERANCES: FRACTIONS ±1/32" ANGLES ±1/2° 3 PLACE DECIMALS ±.005" 2 PLACE DECIMALS ±.01"		THIS DRAWING AND THE DESIGN SHOWN ARE THE PROPERTY OF OPTICAL CABLE CORPORATION AND MAY NOT BE USED AS THE BASIS FOR MANUFACTURE OR SALE WITHOUT SPECIFIC WRITTEN PERMISSION OF OPTICAL CABLE CORPORATION.		 5290 Concourse Drive Roanoke, VA 24019 Phone: 800-622-7711 Fax: 540-265-0724 www.occfiber.com	
MATERIAL FLAME RETARDANT THERMOPLASTIC UL LISTED RATING 94V-0		DRAWN D.A.HOLBERT	DATE 1/27/05		
FINISH SEE NOTES; FOR COLOR SEE OCC SPEC# 100004		CHECKED J.SHERRILL	DATE 1/31/05	SIZE B	
		ENGINEER J.YANIK	DATE 1/27/05	DWG NO. CI07140	
		APPROVED J.HOWE	DATE 5/11/05	REV B	
		PREVIOUS DWG		SCALE: NONE	
		NEXT DWG	FILENAME C107140B.DFT	SHEET 1 OF 1	