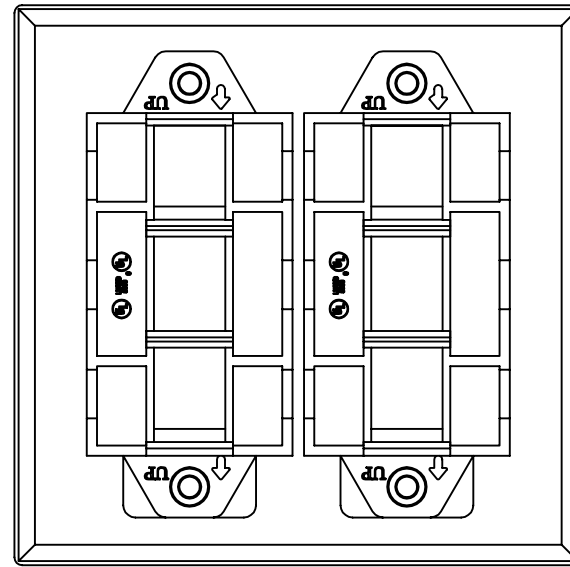
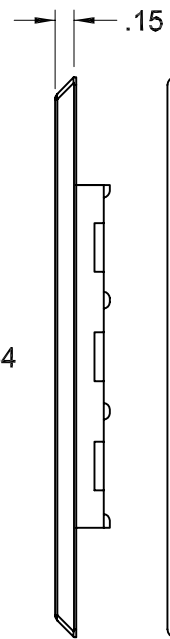
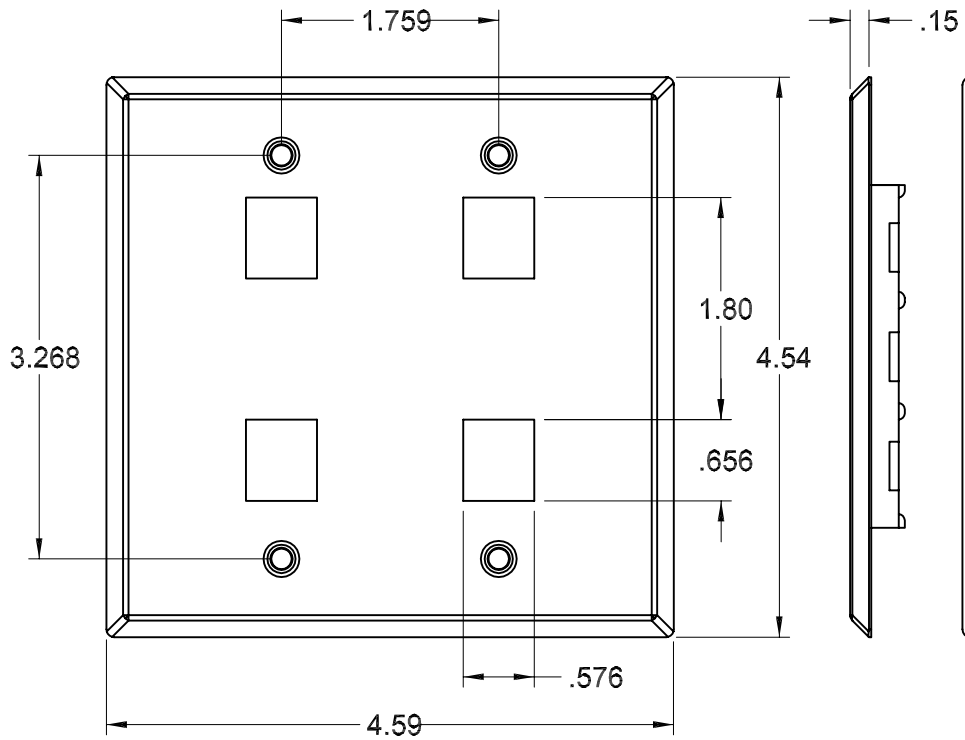
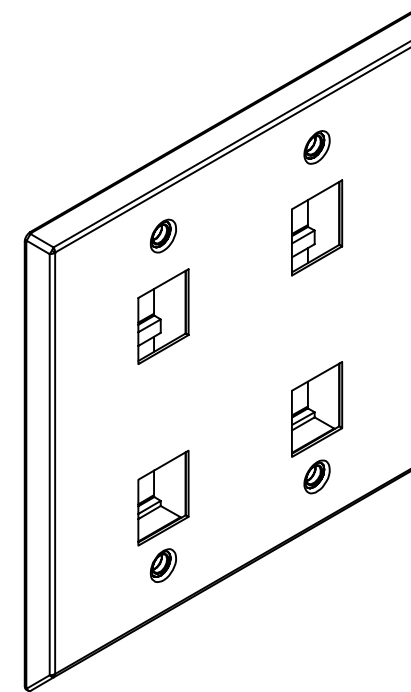


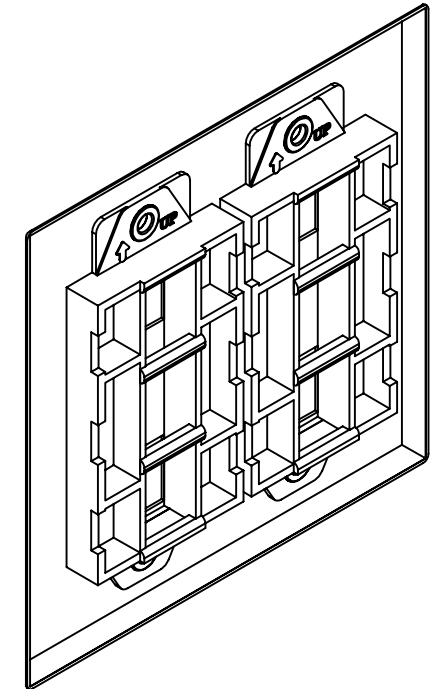
| REV |     | SHT         |  | REVISION HISTORY |  |  | DATE    | ECN | CHECKED |
|-----|-----|-------------|--|------------------|--|--|---------|-----|---------|
|     |     |             |  | DESCRIPTION      |  |  |         |     |         |
| A   | ALL | RELEASE NEW |  |                  |  |  | 1/27/05 | NEW | JS      |



REAR VIEW



FRONT VIEW



REAR VIEW

NOTES: UNLESS OTHERWISE SPECIFIED.  
 1. INCLUDES A HARDWARE KIT (4 ea. SCREWS) #6-32 X 7/8", STAINLESS STEEL.

|          |   |
|----------|---|
| DPSK04SS | FACEPLATE, DG, FLUSH MNT, KMJ X 4 MTG, STN. STEEL, COMMERCIAL |
|----------|---|

|              |             |
|--------------|-------------|
| OCC PART NO. | DESCRIPTION |
|--------------|-------------|

**UNCONTROLLED COPY**

UNLESS OTHERWISE SPECIFIED DIMENSIONS ARE IN INCHES.  
 TOLERANCES: FRACTIONS  $\pm 1/32"$   
 ANGLES  $\pm 1/2^\circ$   
 3 PLACE DECIMALS  $\pm .005"$   
 2 PLACE DECIMALS  $\pm .01"$

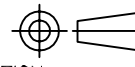


5290 Concourse Drive  
 Roanoke, VA 24019  
 Phone: 800-622-7711  
 Fax: 540-265-0724  
 www.occfiber.com

|              |             |          |              |
|--------------|-------------|----------|--------------|
| DRAWN        | D.A.HOLBERT | DATE     | 1/27/05      |
| CHECKED      | J.SHERRILL  | DATE     | 1/31/05      |
| ENGINEER     | J.YANIK     | DATE     | 1/27/05      |
| APPROVED     | J.HOWE      | DATE     | 1/31/05      |
| PREVIOUS DWG |             |          |              |
| NEXT DWG     |             | FILENAME | C107149A.DFT |

|           |         |  |        |
|-----------|---------|--|--------|
| DWG TITLE |         | CUSTOMER DRAWING,<br>FACEPLATE, STAINLESS STEEL,<br>DOUBLE GANG, KMJ X 4 MTG |        |
| SIZE      | DWG NO. | REV  |        |
| B         | C107149 | A  |        |
| SCALE:    | NONE    | SHEET  | 1 OF 1 |

THIRD ANGLE PROJECTION



CRITICAL DIMENSION CODE  
 (F) = FUNCTION  
 (M) = MATING  
 (A) = AUDIT

MATERIAL  
 20 GAGE  
 STAINLESS STEEL

FINISH  
 SEE NOTES; FOR COLOR  
 SEE OCC SPEC# 100004

UNCONTROLLED COPY