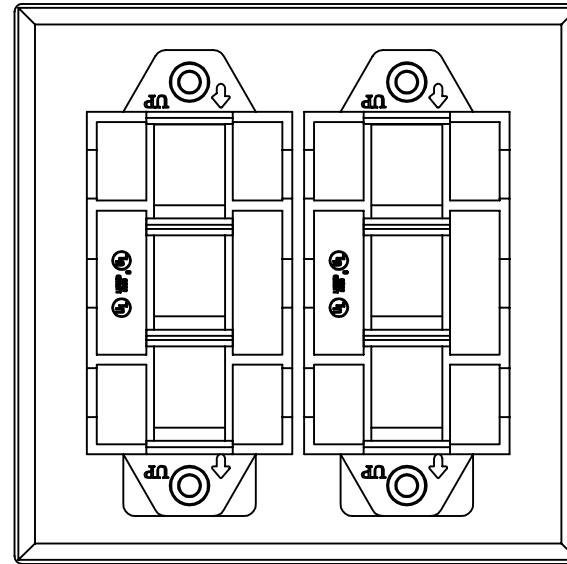
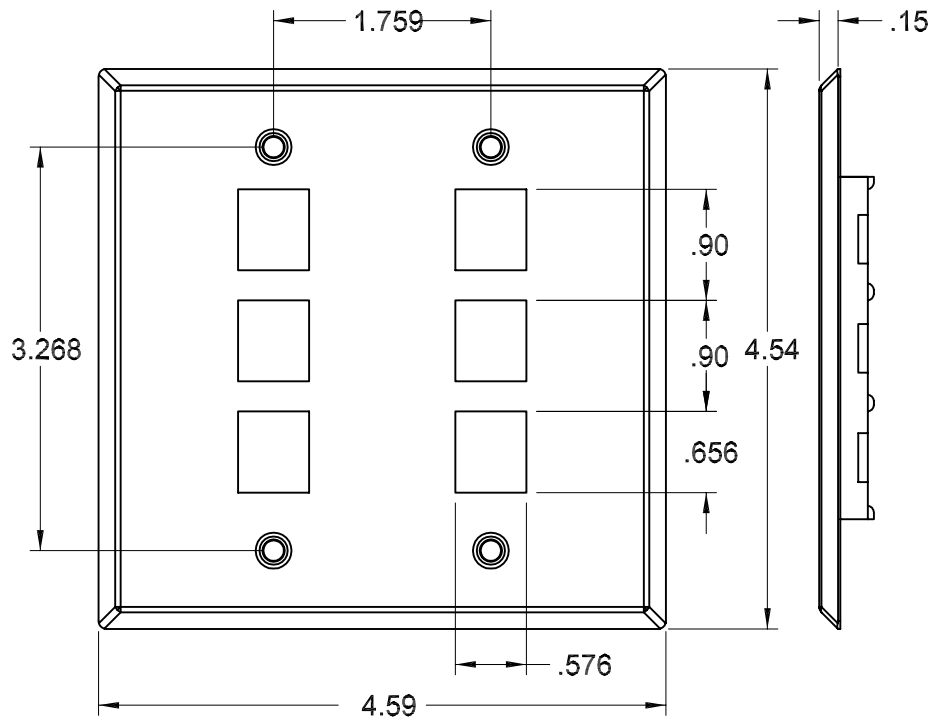
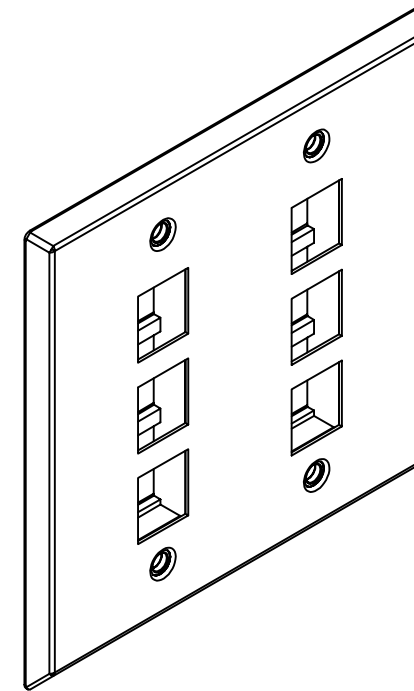


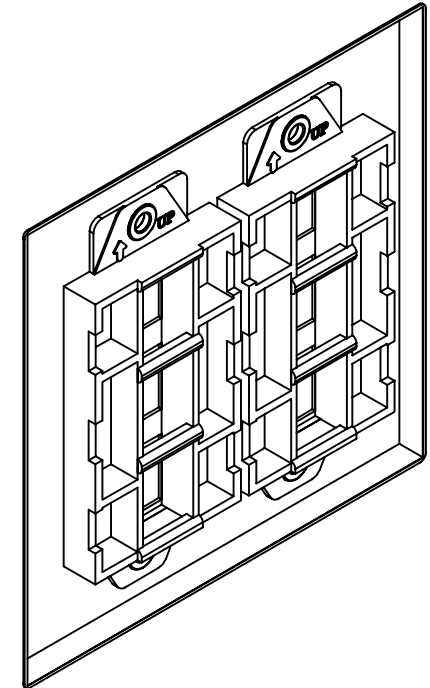
REV		SHT		DESCRIPTION		DATE	ECN	CHECKED
A	ALL	RELEASE	NEW			1/27/05	NEW	JS



REAR VIEW



FRONT VIEW



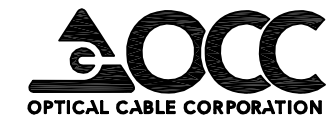
REAR VIEW

NOTES: UNLESS OTHERWISE SPECIFIED.
 1. INCLUDES A HARDWARE KIT (4 ea. SCREWS) #6-32 X 7/8", STAINLESS STEEL.

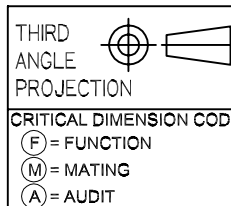
DPSK06SS	FACEPLATE, DG, FLUSH MNT, KMJ X 6 MTG, STN. STEEL, COMMERCIAL
OCC PART NO.	DESCRIPTION

UNCONTROLLED COPY

UNLESS OTHERWISE SPECIFIED DIMENSIONS ARE IN INCHES.
 TOLERANCES: FRACTIONS $\pm 1/32"$
 ANGLES $\pm 1/2^\circ$
 3 PLACE DECIMALS $\pm .005"$
 2 PLACE DECIMALS $\pm .01"$



5290 Concourse Drive
 Roanoke, VA 24019
 Phone: 800-622-7711
 Fax: 540-265-0724
 www.occfiber.com



MATERIAL	20 GAGE STAINLESS STEEL
FINISH	SEE NOTES; FOR COLOR SEE OCC SPEC# 100004

DRAWN	D.A.HOLBERT	DATE	1/27/05
CHECKED	J.SHERRILL	DATE	1/31/05
ENGINEER	J.YANIK	DATE	1/27/05
APPROVED	J.HOWE	DATE	1/31/05
PREVIOUS DWG			
NEXT DWG		FILENAME	C107150A.DFT

DWG TITLE		CUSTOMER DRAWING, FACEPLATE, STAINLESS STEEL, DOUBLE GANG, KMJ X 6 MTG	
SIZE	B	DWG NO.	C107150
REV	A	SCALE:	NONE
		SHEET	1 OF 1

UNCONTROLLED COPY