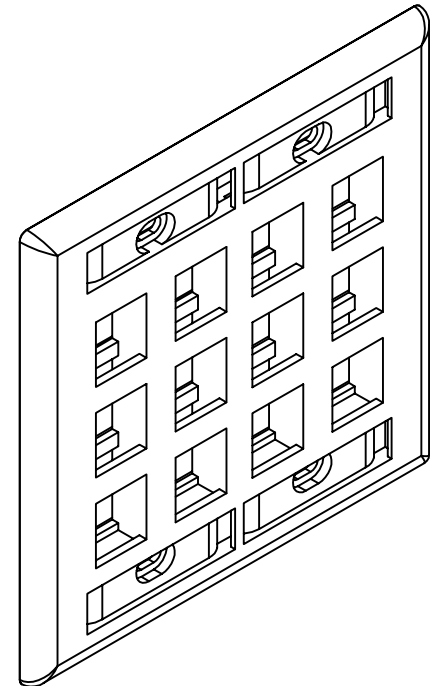
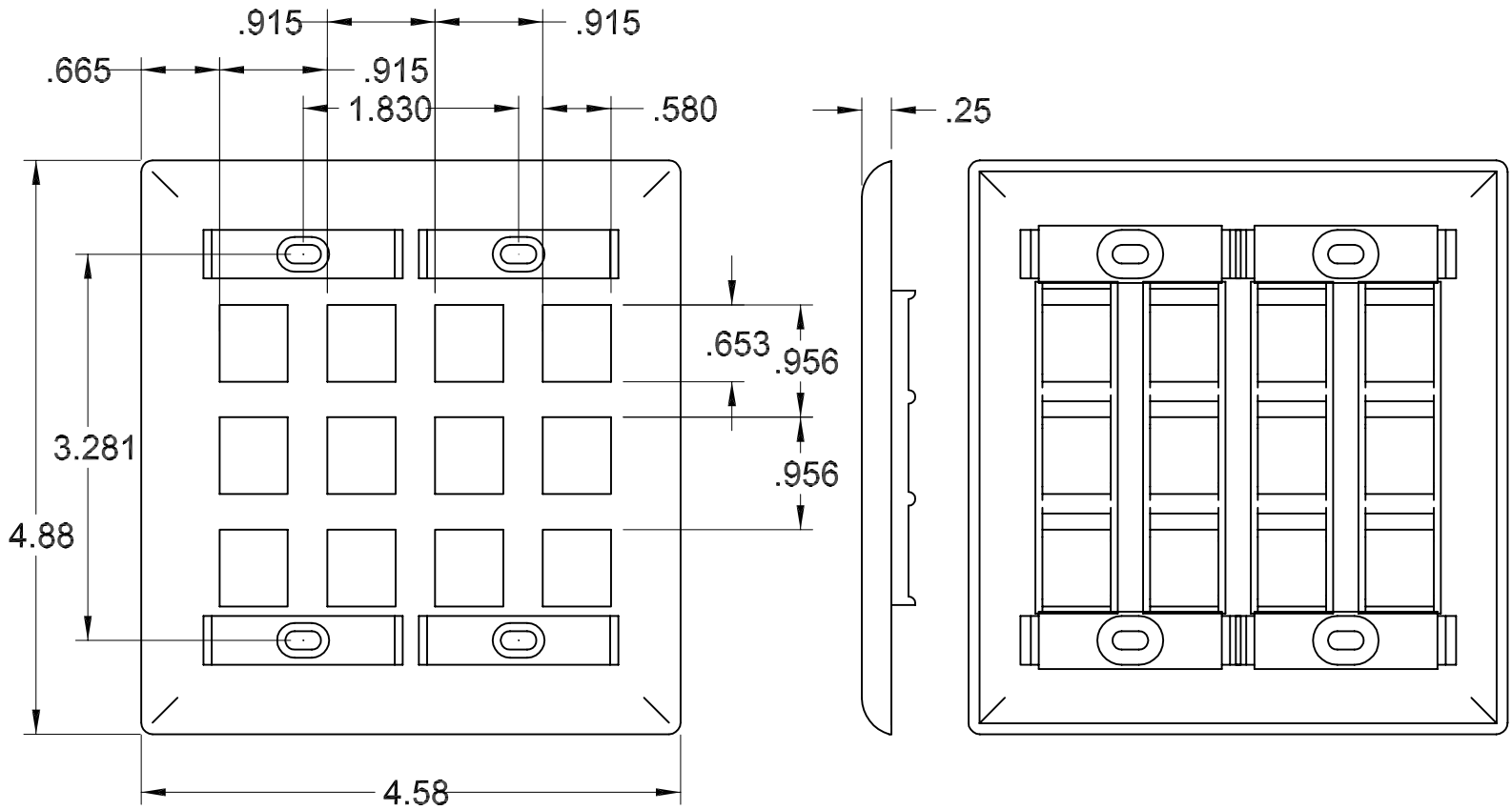
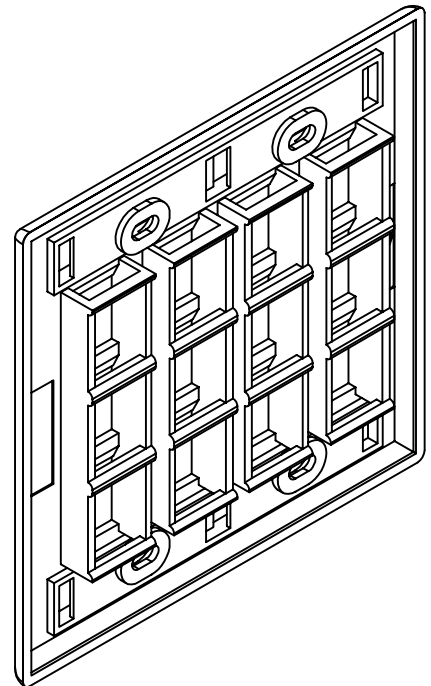


REV		REVISION HISTORY		
SHT	DESCRIPTION	DATE	ECN	CHECKED
A	ALL RELEASE NEW	1/27/05	NEW	JS
B	- REDESIGNED: FACEPLATE	5/16/06	-	JH



FRONT VIEW

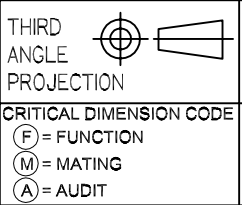


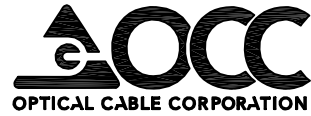
REAR VIEW

- NOTES: UNLESS OTHERWISE SPECIFIED.
1. INCLUDES A HARDWARE KIT (2 ea. SCREWS) #6-32 X 3/4", PAINTED PER "COLOR", AND (4 each) WRITABLE SURFACE INSERTS.
 2. "XX" IN PART NUMBER DESIGNATES "COLOR CODE".

SUFFIX	COLOR CODE
00	ELEC. IVORY
01	OFFICE WHITE
02	BLACK
03	RED
04	GREEN
05	BLUE
06	GREY
07	WHITE
08	ORANGE
09	YELLOW
10	PURPLE
11	BROWN
12	BRIGHT WHITE

UNCONTROLLED COPY



DPSK12XX	FACEPLATE, DG, FLUSH MOUNT, KMJ X 12 MTG, "COLOR", COMMERCIAL			
OCC PART NO.	DESCRIPTION			
UNCONTROLLED COPY				
UNLESS OTHERWISE SPECIFIED DIMENSIONS ARE IN INCHES. TOLERANCES: FRACTIONS ±1/32" ANGLES ±1/2° 3 PLACE DECIMALS ±.005" 2 PLACE DECIMALS ±.01"	THIS DRAWING AND THE DESIGN SHOWN ARE THE PROPERTY OF OPTICAL CABLE CORPORATION AND MAY NOT BE USED AS THE BASIS FOR MANUFACTURE OR SALE WITHOUT SPECIFIC WRITTEN PERMISSION OF OPTICAL CABLE CORPORATION.			
DRAWN D.A.HOLBERT	DATE 1/27/05	 5290 Concourse Drive Roanoke, VA 24019 Phone: 800-622-7711 Fax: 540-265-0724 www.occfiber.com		
CHECKED J.SHERRILL	DATE 1/31/05			
ENGINEER J.YANIK	DATE 1/27/05			
APPROVED J.HOWE	DATE 5/16/06			
PREVIOUS DWG		DWG TITLE CUSTOMER DRAWING, FACEPLATE, FLUSH MOUNT, DOUBLE GANG, KMJ X 12 MTG		
NEXT DWG	FILENAME C107124B.DFT	SIZE B	DWG NO. C107124	REV B
	SCALE: NONE	SHEET 1 OF 1		