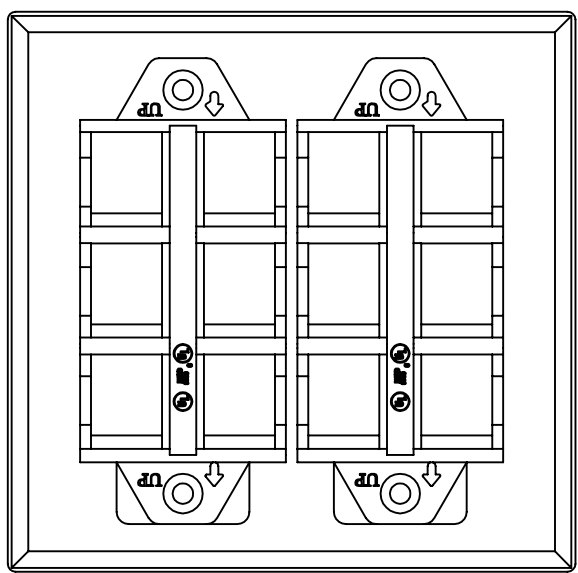
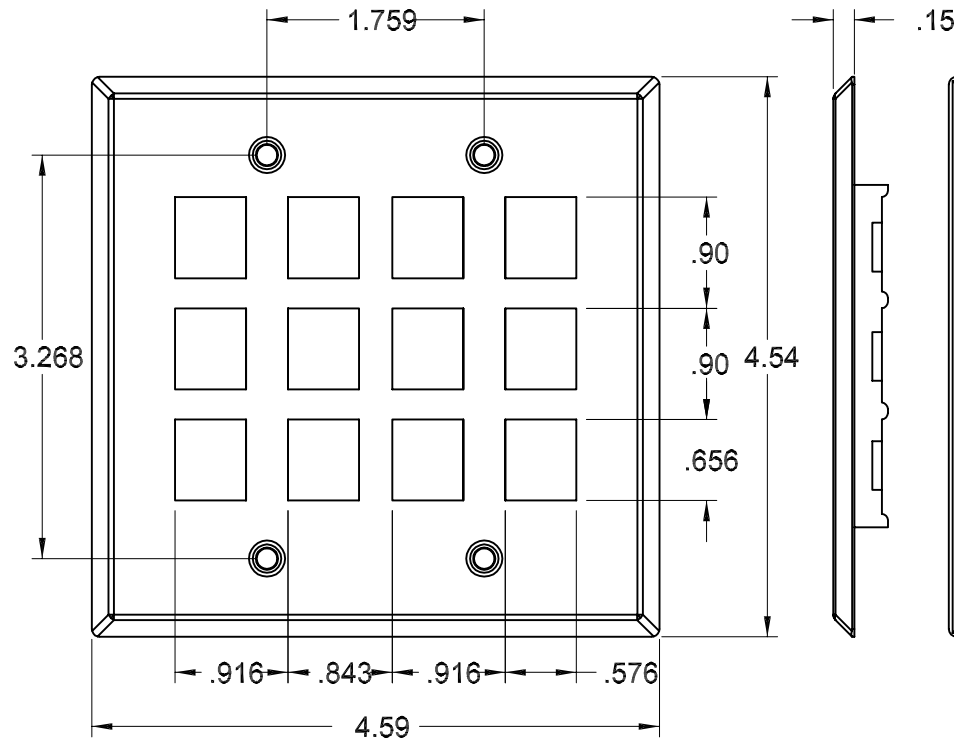
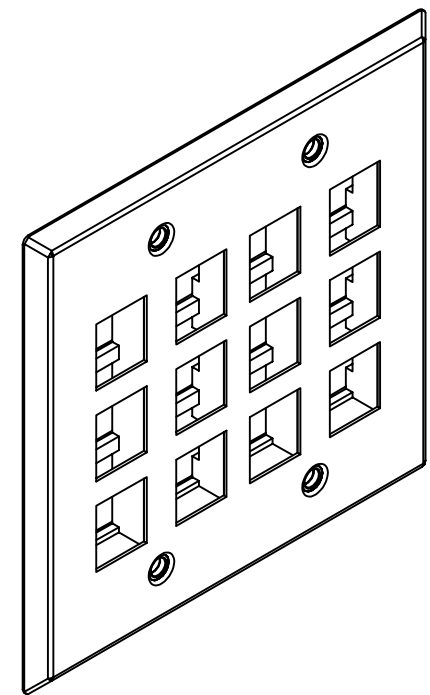


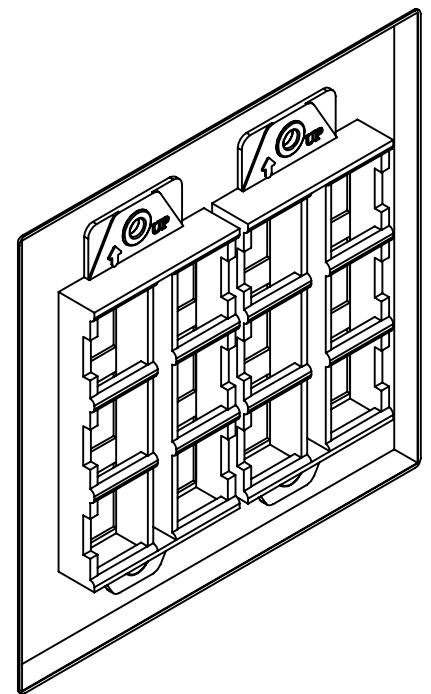
REV		SHT		REVISION HISTORY			DATE	ECN	CHECKED
				DESCRIPTION					
A	ALL	RELEASE		NEW			1/27/05	NEW	JS



REAR VIEW



FRONT VIEW



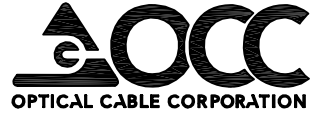
REAR VIEW

NOTES: UNLESS OTHERWISE SPECIFIED.
 1. INCLUDES A HARDWARE KIT (4 ea. SCREWS) #6-32 X 7/8", STAINLESS STEEL.

UNCONTROLLED COPY

DPSK12SS	FACEPLATE, DG, FLUSH MNT, KMJ X 12 MTG, STN. STEEL, COMMERCIAL
OCC PART NO.	DESCRIPTION

UNCONTROLLED COPY																									
UNLESS OTHERWISE SPECIFIED DIMENSIONS ARE IN INCHES. TOLERANCES: FRACTIONS ±1/32" ANGLES ±1/2° 3 PLACE DECIMALS ±.005" 2 PLACE DECIMALS ±.01"	THIS DRAWING AND THE DESIGN SHOWN ARE THE PROPERTY OF OPTICAL CABLE CORPORATION AND MAY NOT BE USED AS THE BASIS FOR MANUFACTURE OR SALE WITHOUT SPECIFIC WRITTEN PERMISSION OF OPTICAL CABLE CORPORATION.																								
MATERIAL 20 GAGE STAINLESS STEEL	<table border="1"> <tr> <td>DRAWN</td> <td>D.A.HOLBERT</td> <td>DATE</td> <td>1/27/05</td> </tr> <tr> <td>CHECKED</td> <td>J.SHERRILL</td> <td>DATE</td> <td>1/31/05</td> </tr> <tr> <td>ENGINEER</td> <td>J.YANIK</td> <td>DATE</td> <td>1/27/05</td> </tr> <tr> <td>APPROVED</td> <td>J.HOWE</td> <td>DATE</td> <td>1/31/05</td> </tr> <tr> <td>PREVIOUS DWG</td> <td></td> <td></td> <td></td> </tr> <tr> <td>NEXT DWG</td> <td></td> <td>FILENAME</td> <td>C107151A.DFT</td> </tr> </table>	DRAWN	D.A.HOLBERT	DATE	1/27/05	CHECKED	J.SHERRILL	DATE	1/31/05	ENGINEER	J.YANIK	DATE	1/27/05	APPROVED	J.HOWE	DATE	1/31/05	PREVIOUS DWG				NEXT DWG		FILENAME	C107151A.DFT
DRAWN	D.A.HOLBERT	DATE	1/27/05																						
CHECKED	J.SHERRILL	DATE	1/31/05																						
ENGINEER	J.YANIK	DATE	1/27/05																						
APPROVED	J.HOWE	DATE	1/31/05																						
PREVIOUS DWG																									
NEXT DWG		FILENAME	C107151A.DFT																						
FINISH SEE NOTES; FOR COLOR SEE OCC SPEC# 100004																									

 OPTICAL CABLE CORPORATION	5290 Concourse Drive Roanoke, VA 24019 Phone: 800-622-7711 Fax: 540-265-0724 www.occfiber.com	
	DWG TITLE CUSTOMER DRAWING, FACEPLATE, STAINLESS STEEL, DOUBLE GANG, KMJ X 12 MTG	
SIZE B	DWG NO. C107151	REV A
SCALE: NONE	SHEET 1 OF 1	

