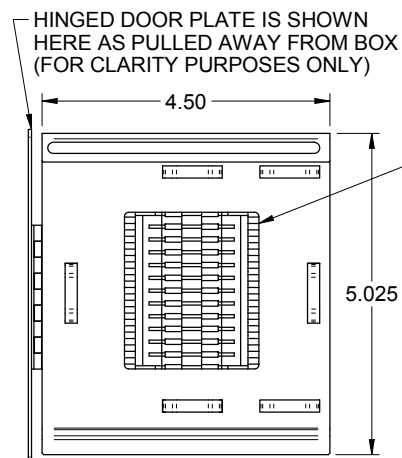
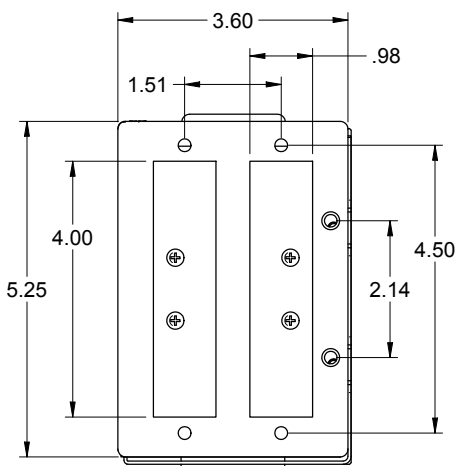
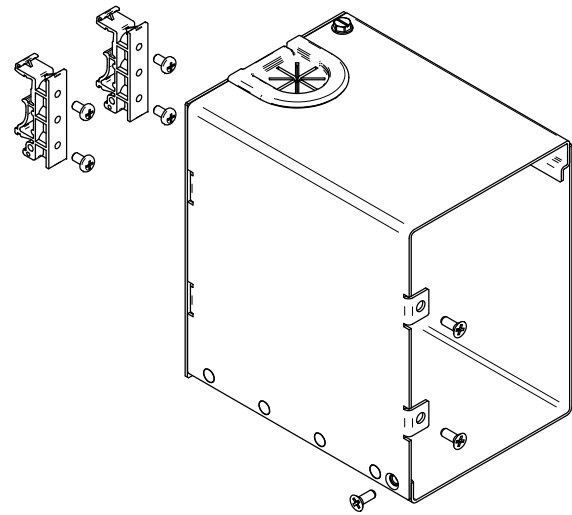
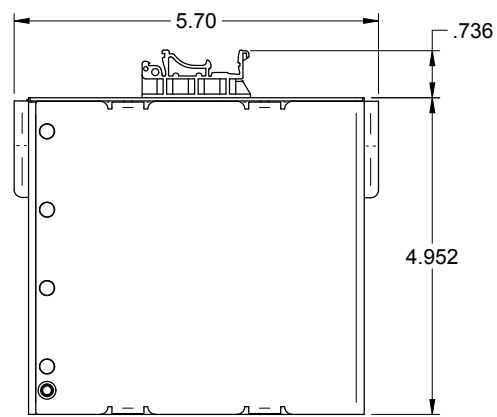
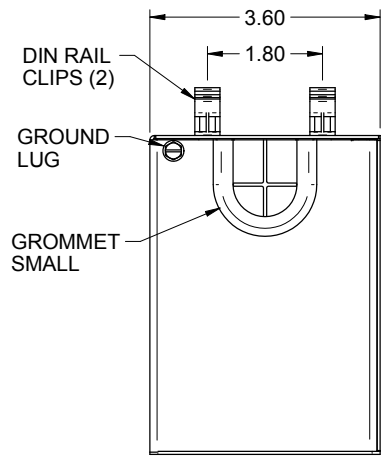
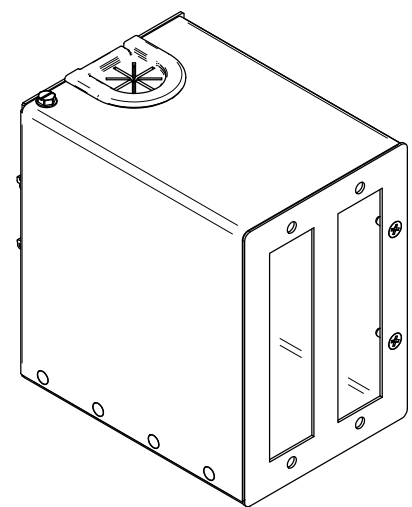
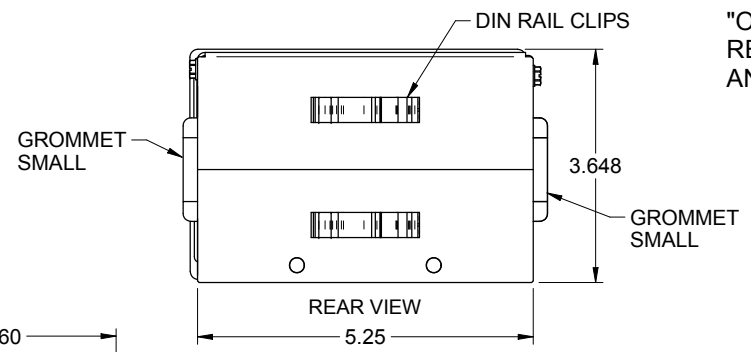

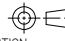


REVISION HISTORY		DATE	ECN	CHECKED
REV/SHT	DESCRIPTION			
A	ALL RELEASE NEW	5/15/12	NEW	JY

"OPTICAL CABLE CORPORATION (OCC) RESERVES THE RIGHT TO REVISE ANY AND ALL DESIGN SPECIFICATIONS."



DTC2AP	CABINET, DIN RAIL, 2 ADAPTER PLATES, BLACK	 33 Superior Way Swannanoa, NC 28778 Phone: 828-298-2260 Fax: 828-298-2487 www.occfiber.com
OCC PART NO.	DESCRIPTION	
UNLESS OTHERWISE SPECIFIED DIMENSIONS ARE IN INCHES. TOLERANCES: FRACTIONS ±1/32" ANGLES ±1/2° 3 PLACE DECIMALS ±.005" 2 PLACE DECIMALS ±.01"		THIS DRAWING AND THE DESIGN SHOWN ARE THE PROPERTY OF OPTICAL CABLE CORPORATION AND MAY NOT BE USED AS THE BASIS FOR MANUFACTURE OR SALE WITHOUT SPECIFIC WRITTEN PERMISSION OF OPTICAL CABLE CORPORATION. DRAWN D.A.HOLBERT DATE 5/15/12 CHECKED S.PORACH DATE 12/16/12 ENGINEER J.YANK DATE 5/15/12 APPROVED J.HOWE DATE 11/19/14 PREVIOUS DWG NEXT DWG
MATERIAL: SEE BILL OF MATERIAL OVERALL BODY: CRS DIN RAILS: THERMOPLASTIC		
FINISH: OVER ALL BODY: BLACK POWDERCOAT PAINTED PER OCC SPEC# 100025		
DWG TITLE: DIN RAIL, FIBER, ADAPTER PLATE RECEPTACLE, DTC2AP SIZE: C DWG NO.: C111247 SCALE: 1:1.5 SHEET: 1 OF 1		

THIRD ANGLE PROJECTION	
CRITICAL DIMENSION CODE	
(F) = FUNCTION	
(M) = MATING	
(A) = AUDIT	

UNCONTROLLED COPY

