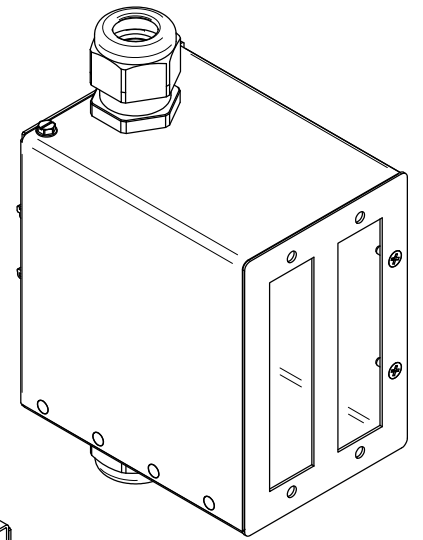
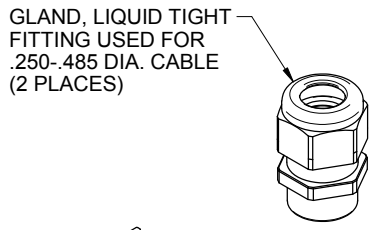
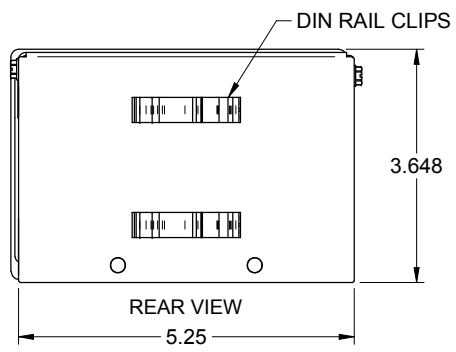
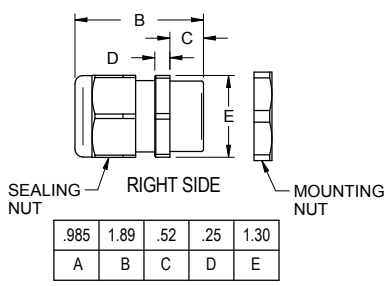
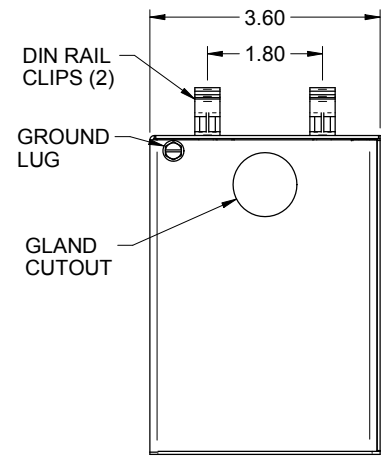


REVISION HISTORY		DATE	ECN	CHECKED
REV/SHT	DESCRIPTION	5/15/12	NEW	JY
A	ALL RELEASE NEW			

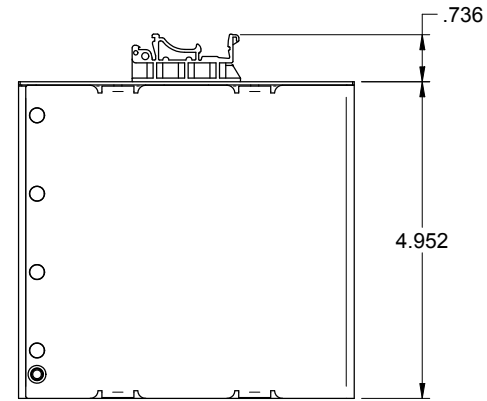
"OPTICAL CABLE CORPORATION (OCC) RESERVES THE RIGHT TO REVISE ANY AND ALL DESIGN SPECIFICATIONS."



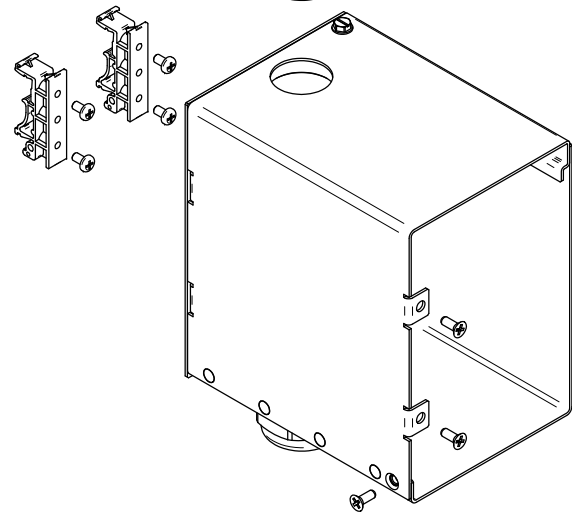
CLOSED VIEW



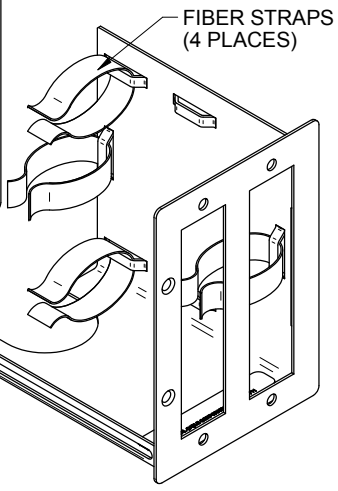
ENCLOSURE BOX TOP VIEW



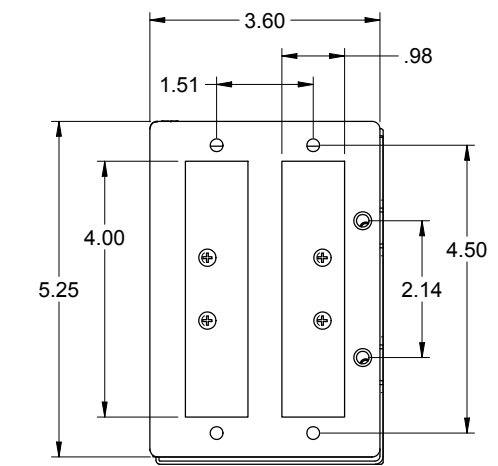
RIGHT SIDE LOOKING SIDEWARD



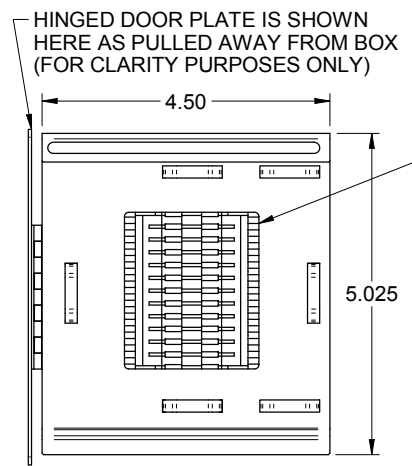
ISOMETRIC VIEW



FIBER STRAPS (4 PLACES)




SLIDING COMPARTMENT WITH HINGED DOOR FRONT VIEW



RIGHT SIDE LOOKING INSIDE

ELASTOMER SPLICE HOLDER

**UNCONTROLLED COPY**

DTC2APG	CABINET, DIN RAIL, 2 ADAPTER PLATES, with GLAND	 33 Superior Way Swannanoa, NC 28778 Phone: 828-298-2260 Fax: 828-298-2487 www.occfiber.com
OCC PART NO.	DESCRIPTION	
UNLESS OTHERWISE SPECIFIED DIMENSIONS ARE IN INCHES. TOLERANCES: FRACTIONS ±1/32 ANGLES ±1/2° 3 PLACE DECIMALS ±.005" 2 PLACE DECIMALS ±.01"		THIS DRAWING AND THE DESIGN SHOWN ARE THE PROPERTY OF OPTICAL CABLE CORPORATION AND MAY NOT BE USED AS THE BASIS FOR MANUFACTURE OR SALE WITHOUT SPECIFIC WRITTEN PERMISSION OF OPTICAL CABLE CORPORATION. DRAWN D.A.HOLBERT DATE 5/15/12 CHECKED S.PORACH DATE 12/16/12 ENGINEER J.YANK DATE 5/15/12 APPROVED J.HOWE DATE 11/19/14
MATERIAL: SEE BILL OF MATERIAL OVERALL BODY: CRS DIN RAILS: THERMOPLASTIC FINISH: OVER ALL BODY: BLACK POWDERCOAT PAINTED PER OCC SPEC# 100025		
THIRD ANGLE PROJECTION CRITICAL DIMENSION CODE: (F) = FUNCTION (M) = MATING (A) = AUDIT	DWG TITLE: DIN RAIL, FIBER, ADAPTER PLATE RECEPTACLE, DTC2APG SIZE C DWG NO. <b>C112089</b> SCALE: 1:1.5 SHEET 1 OF 1	REV A