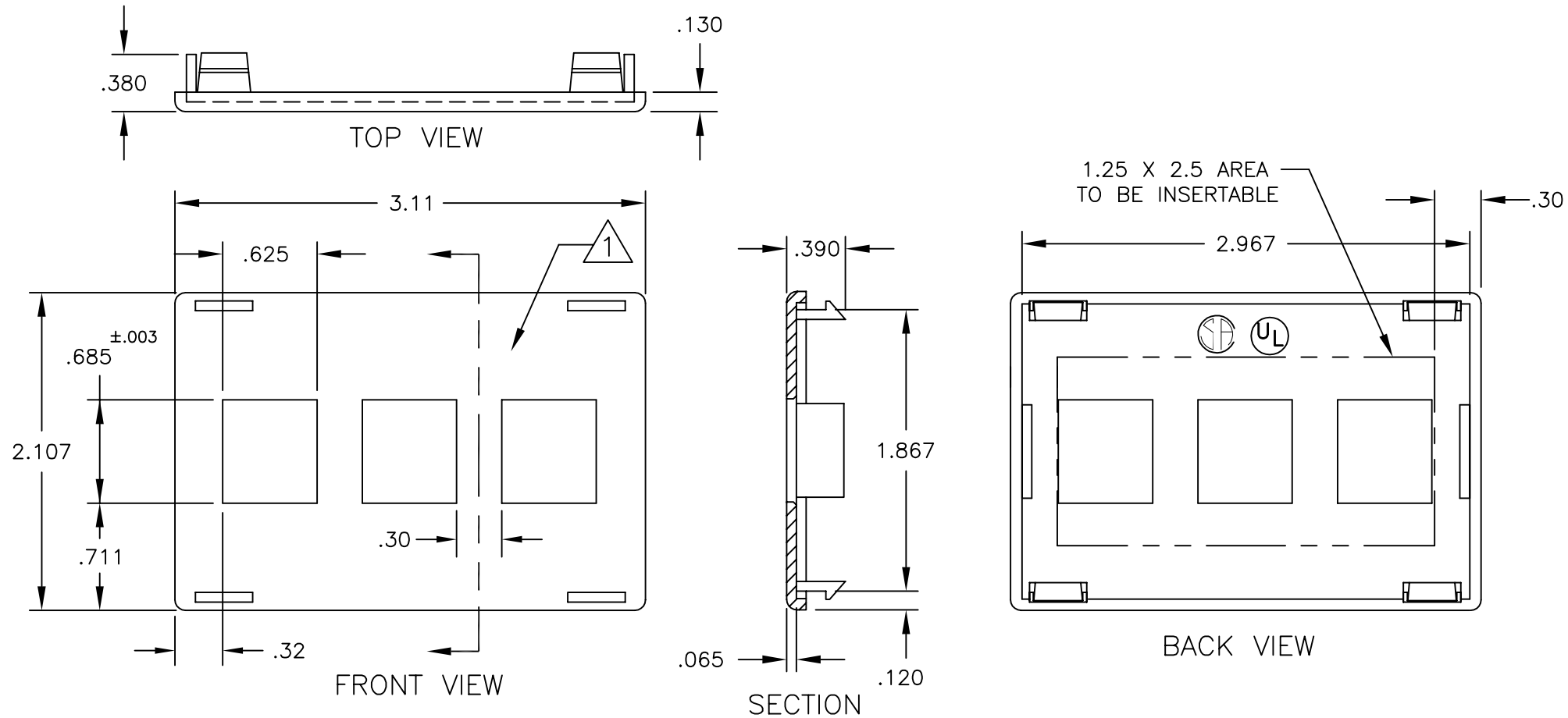


REV		SHT	DESCRIPTION	DATE	ECN	CHECKED
A	ALL	RELEASE	NEW	2/10/02	NEW	RBS



OCC PART NO.	DESCRIPTION
FAP306-HM	FACEPLATE, FURNITURE AXCESS, 3 HOLE, GREY
FAP302-HM	FACEPLATE, FURNITURE AXCESS, 3 HOLE, BLACK

NOTES: UNLESS OTHERWISE SPECIFIED.

1. FINISH MEDIUM EDM MT 1055-5 ON THIS SURFACE, POLISH FINISH REST.

2. RECOMMENDED PLATE OPENING; 2.982" X 1.882".

3. UL AND CSA LISTED.

UNCONTROLLED COPY		OCC		5290 Concourse Drive Roanoke, VA 24019 Phone: 800-622-7711 Fax: 540-265-0724 www.occfiber.com	
UNLESS OTHERWISE SPECIFIED DIMENSIONS ARE IN INCHES TOLERANCES: FRACTIONS ±1/32" ANGLES ±1/2" 3 PLACE DECIMALS ±.005" 2 PLACE DECIMALS ±.01"		THIS DRAWING AND THE DESIGN SHOWN ARE THE PROPERTY OF OPTICAL CABLE CORPORATION AND MAY NOT BE USED AS THE BASIS FOR MANUFACTURE OR SALE WITHOUT SPECIFIC WRITTEN PERMISSION OF OPTICAL CABLE CORPORATION.		DWG TITLE FACEPLATE, FURNITURE AXCESS, 3 HOLE MTG	
THIRD ANGLE PROJECTION	MATERIAL PVC: UL RATED 94V-0 NORYL N-190	DRAWN BY D.A.HOLBERT	DATE 2/10/02	SIZE B	DWG NO. C101515
CRITICAL DIMENSION CODE	FINISH SEE NOTES COLOR: SEE OCC SPEC DWG# 100004	CHECKED BY R.B.SMITH	DATE 3/8/02	SCALE NONE	REV A
Ⓢ = FUNCTION		ENGINEER J.YANIK	DATE 2/10/02	SHEET 1 OF 1	
Ⓜ = MATING		APPROVED B.EVERETTE	DATE 3/8/02		
Ⓐ = AUDIT		PREVIOUS DWG			
		NEXT DWG	FILENAME C101515A.DWG		