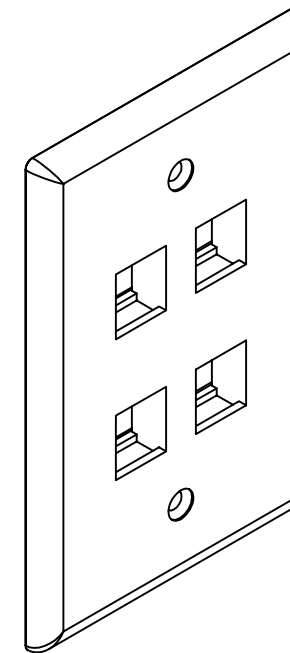
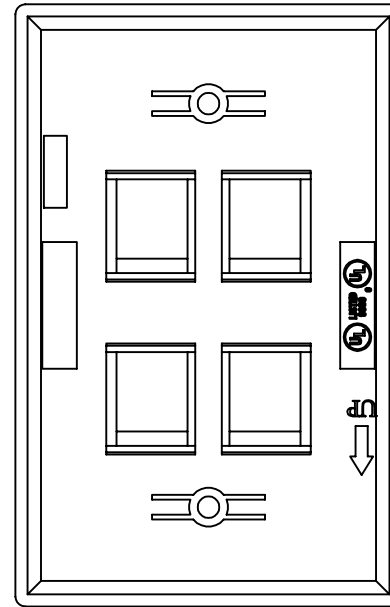
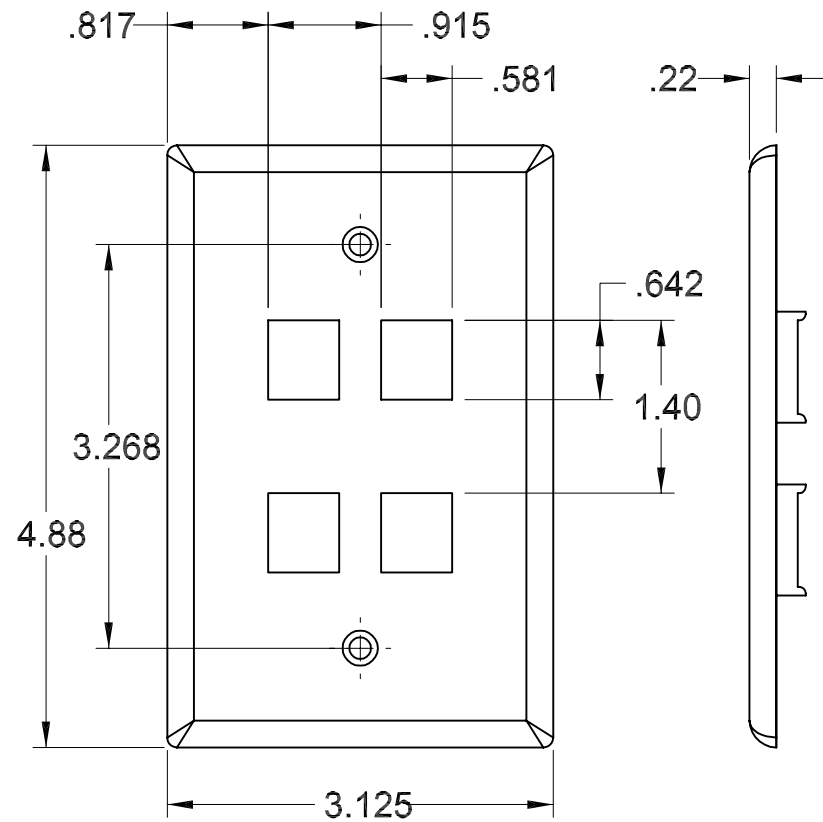
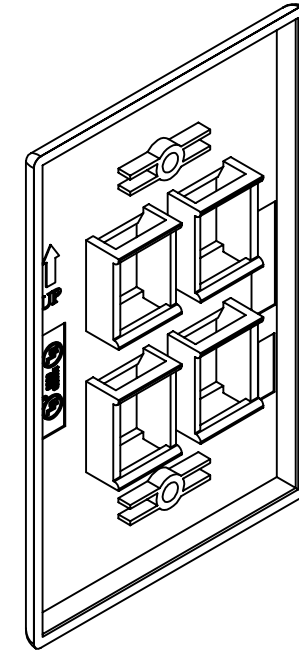


REVISION HISTORY				
REV	SHT	DESCRIPTION	DATE	CHECKED
A	ALL	RELEASE NEW	1/26/05	RBS



FRONT VIEW



REAR VIEW

NOTES: UNLESS OTHERWISE SPECIFIED.

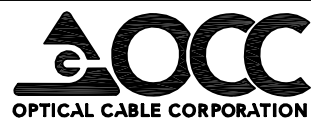
1. INCLUDES A HARDWARE KIT (2 ea. SCREWS) #6-32 X 7/8", PAINTED PER "COLOR".
2. "XX" IN PART NUMBER DESIGNATES "COLOR CODE".

SUFFIX	COLOR CODE
00	ELEC. IVORY
01	OFFICE WHITE
02	BLACK
03	RED
04	GREEN
05	BLUE
06	GREY
07	WHITE
08	ORANGE
09	YELLOW
10	PURPLE
11	BROWN
12	BRIGHT WHITE

UNCONTROLLED COPY



CRITICAL DIMENSION CODE
 (F) = FUNCTION
 (M) = MATING
 (A) = AUDIT

FPK04XX	FACEPLATE, SG, OVERSIZED, KMJ x 4 PORT, "COLOR", RESIDENTIAL		
OCC PART NO.	DESCRIPTION		
UNCONTROLLED COPY			
UNLESS OTHERWISE SPECIFIED DIMENSIONS ARE IN INCHES. TOLERANCES: FRACTIONS ±1/32" ANGLES ±1/2° 3 PLACE DECIMALS ±.005" 2 PLACE DECIMALS ±.01"	THIS DRAWING AND THE DESIGN SHOWN ARE THE PROPERTY OF OPTICAL CABLE CORPORATION AND MAY NOT BE USED AS THE BASIS FOR MANUFACTURE OR SALE WITHOUT SPECIFIC WRITTEN PERMISSION OF OPTICAL CABLE CORPORATION.		
DRAWN E.WETLI	DATE 1/26/05	 5290 Concourse Drive Roanoke, VA 24019 Phone: 800-622-7711 Fax: 540-265-0724 www.occfiber.com	
CHECKED R.B.SMITH	DATE 1/27/05		
ENGINEER J.YANIK	DATE 1/26/05		
APPROVED J.YANIK	DATE 1/27/05		
PREVIOUS DWG		DWG TITLE CUSTOMER DRAWING, FACEPLATE, SG, OVERSIZED, KMJ x 4 PORT, RESIDENTIAL	SIZE B
NEXT DWG	FILENAME C107128A.DFT	SCALE: NONE	SHEET 1 OF 1 REV A