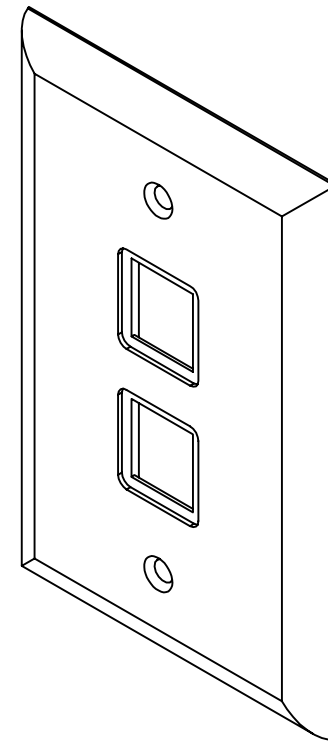
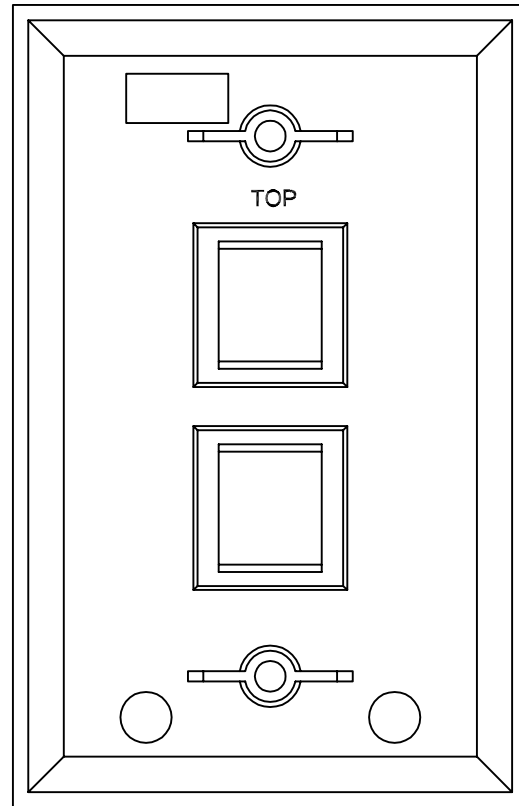
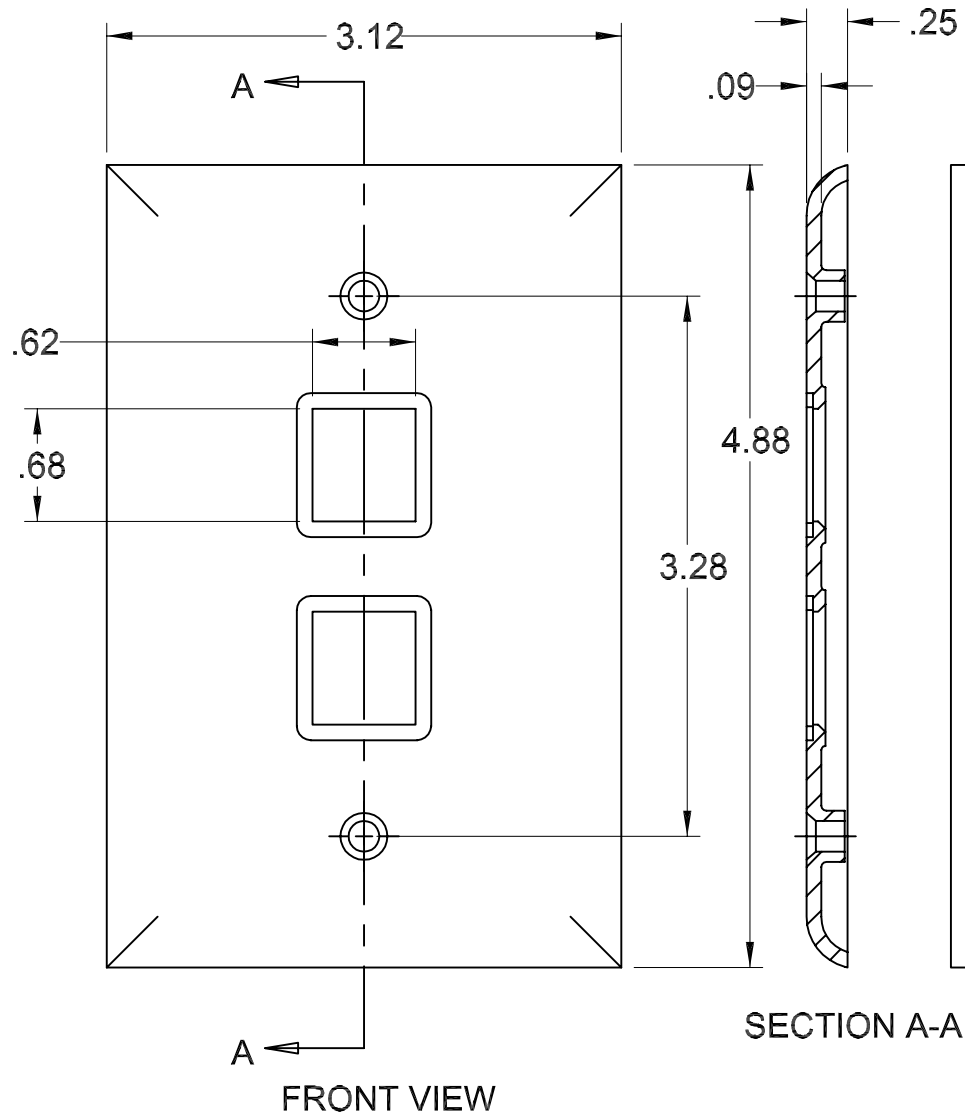
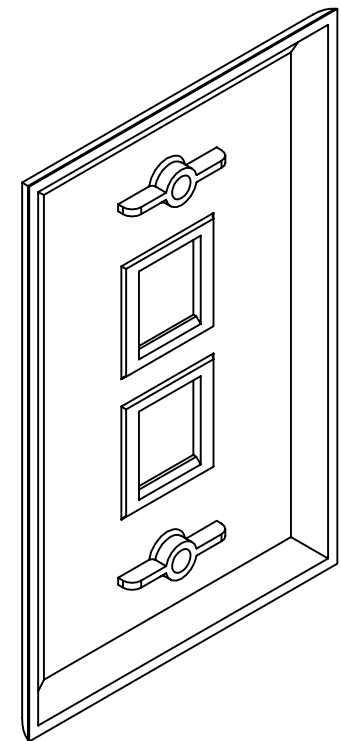


REVISION HISTORY					
REV	SHT	DESCRIPTION	DATE	ECN	CHECKED
A	ALL	RELEASE NEW	12/31/01	NEW	RBS
B	-	ADDED: COLOR -12 TO PART LIST; UPDATED: NOTE 1	7/6/06	-	DAH



ISOMETRIC (FRONT)



ISOMETRIC (REAR)

FPR0212	ASSY, FACEPLATE, SNG, OVRZD, UMJ X 2 MTG, BRIGHT WHITE
FPR0207	ASSY, FACEPLATE, SNG, OVRZD, UMJ X 2 MTG, WHITE
FPR0201	ASSY, FACEPLATE, SNG, OVRZD, UMJ X 2 MTG, OFFICE WHITE
FPR0200	ASSY, FACEPLATE, SNG, OVRZD, UMJ X 2 MTG, ELEC. IVORY
OCC PART NO.	DESCRIPTION

NOTES: UNLESS OTHERWISE SPECIFIED.

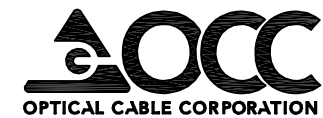
1. FACEPLATE ASSY PROVIDED WITH (1 each) MOUNTING HARDWARE KIT.



THIRD ANGLE PROJECTION

CRITICAL DIMENSION CODE
 (F) = FUNCTION
 (M) = MATING
 (A) = AUDIT

UNCONTROLLED COPY	
UNLESS OTHERWISE SPECIFIED DIMENSIONS ARE IN INCHES. TOLERANCES: FRACTIONS $\pm 1/32"$ ANGLES $\pm 1/2^\circ$ 3 PLACE DECIMALS $\pm .005"$ 2 PLACE DECIMALS $\pm .01"$	
MATERIAL SEE BILL OF MATERIAL	THIS DRAWING AND THE DESIGN SHOWN ARE THE PROPERTY OF OPTICAL CABLE CORPORATION AND MAY NOT BE USED AS THE BASIS FOR MANUFACTURE OR SALE WITHOUT SPECIFIC WRITTEN PERMISSION OF OPTICAL CABLE CORPORATION.
FINISH SEE NOTES	
DRAWN D.A.HOLBERT	DATE 12/31/01
CHECKED R.B.SMITH	DATE 1/16/02
ENGINEER J.YANIK	DATE 12/31/01
APPROVED D.INGLE	DATE 7/7/06
PREVIOUS DWG	
NEXT DWG	FILENAME C103333B.DFT



5290 Concourse Drive
 Roanoke, VA 24019
 Phone: 800-622-7711
 Fax: 540-265-0724
 www.occfiber.com

DWG TITLE		CUSTOMER DRAWING, ASSY, FACEPLATE, SNG, OVERSIZED, UMJ X 2 MTG	
SIZE B	DWG NO. C103333	REV B	
SCALE: NONE	SHEET 1 OF 1		