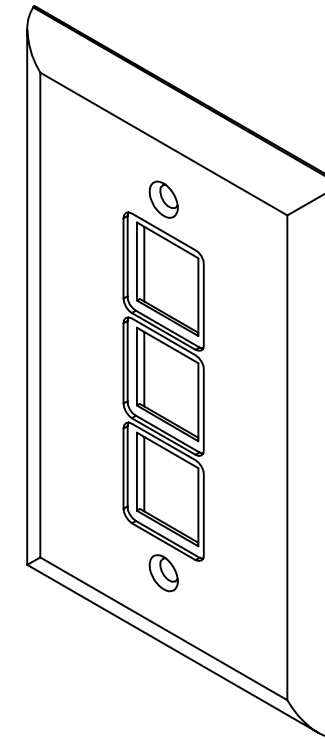
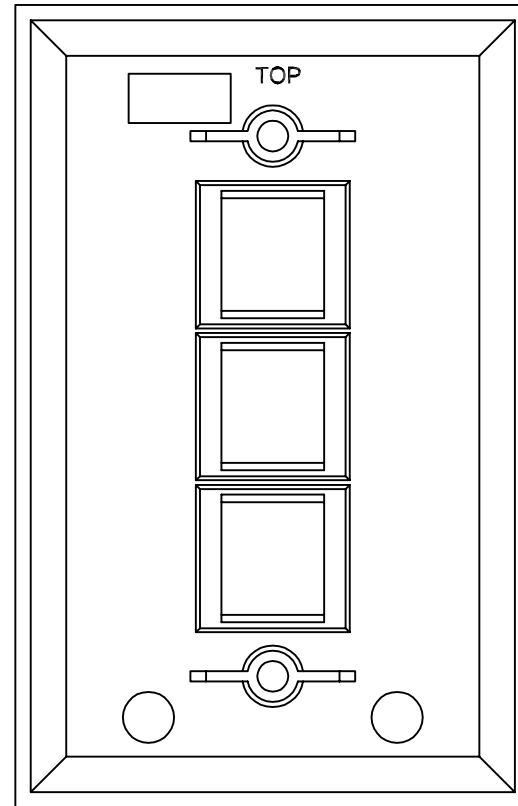
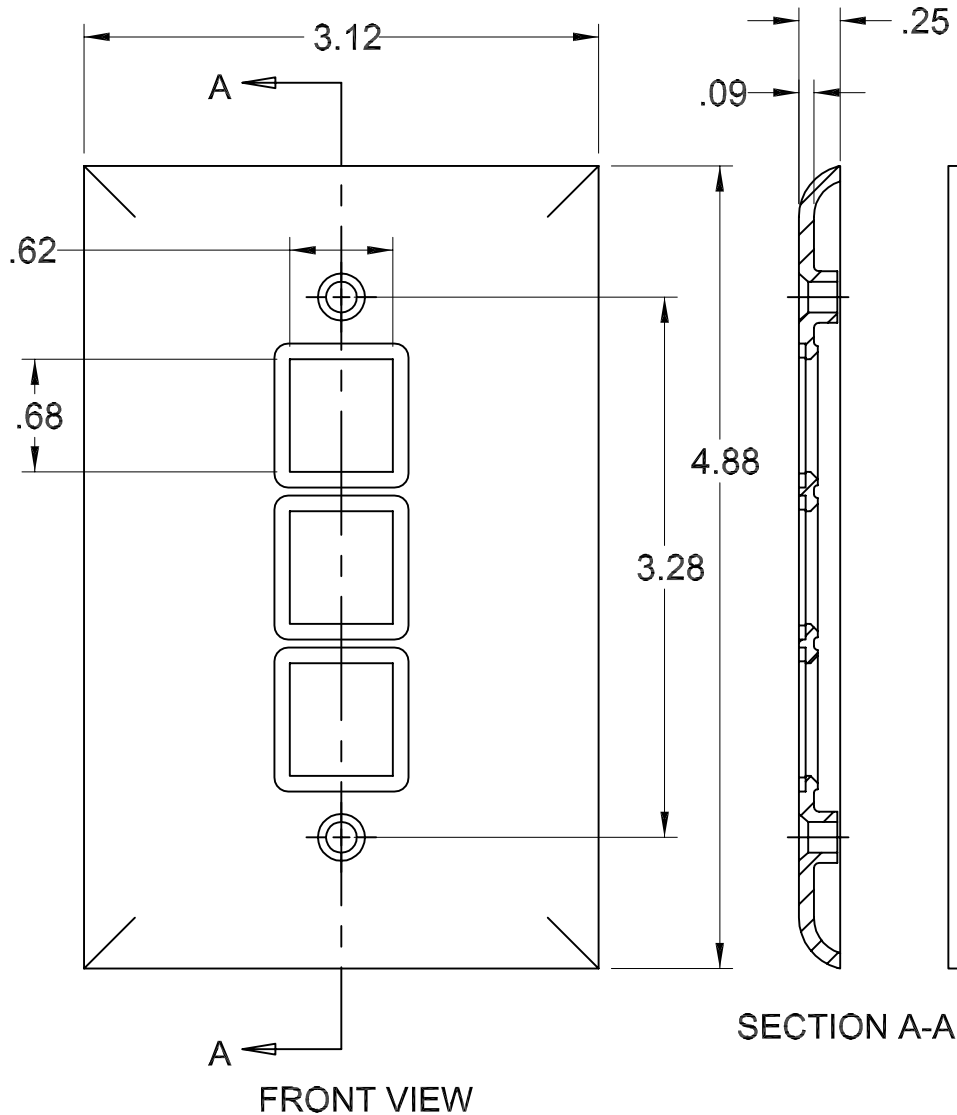
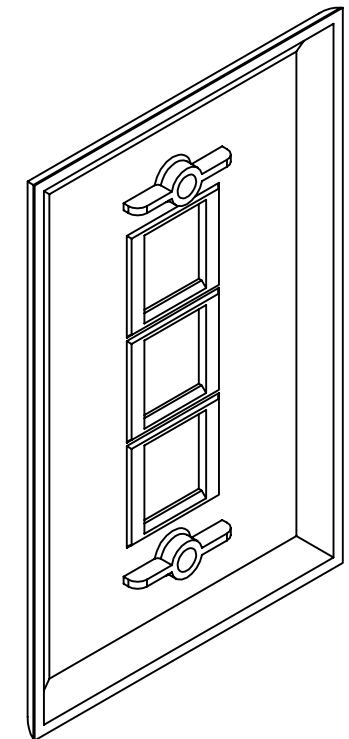


REVISION HISTORY					
REV	SHT	DESCRIPTION	DATE	ECN	CHECKED
A	ALL	RELEASE NEW	12/31/01	NEW	RBS
B	-	ADDED: COLOR -12 TO PART LIST; UPDATED: NOTE 1	7/6/06	-	DAH



ISOMETRIC (FRONT)

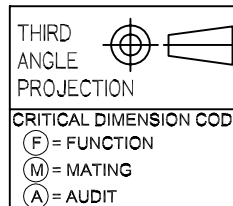


ISOMETRIC (REAR)

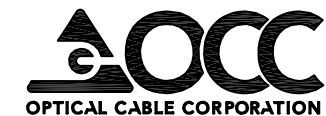
FPR0312	ASSY, FACEPLATE, SNG, OVRZD, UMJ X 3 MTG, BRIGHT WHITE
FPR0307	ASSY, FACEPLATE, SNG, OVRZD, UMJ X 3 MTG, WHITE
FPR0301	ASSY, FACEPLATE, SNG, OVRZD, UMJ X 3 MTG, OFFICE WHITE
FPR0300	ASSY, FACEPLATE, SNG, OVRZD, UMJ X 3 MTG, ELEC. IVORY
OCC PART NO.	DESCRIPTION

NOTES: UNLESS OTHERWISE SPECIFIED.

1. FACEPLATE ASSY PROVIDED WITH (1 each) MOUNTING HARDWARE KIT.



UNCONTROLLED COPY	
UNLESS OTHERWISE SPECIFIED DIMENSIONS ARE IN INCHES. TOLERANCES: FRACTIONS $\pm 1/32"$ ANGLES $\pm 1/2^\circ$ 3 PLACE DECIMALS $\pm .005"$ 2 PLACE DECIMALS $\pm .01"$	THIS DRAWING AND THE DESIGN SHOWN ARE THE PROPERTY OF OPTICAL CABLE CORPORATION AND MAY NOT BE USED AS THE BASIS FOR MANUFACTURE OR SALE WITHOUT SPECIFIC WRITTEN PERMISSION OF OPTICAL CABLE CORPORATION.
MATERIAL SEE BILL OF MATERIAL	FINISH SEE NOTES
DRAWN D.A.HOLBERT	DATE 12/31/01
CHECKED R.B.SMITH	DATE 1/16/02
ENGINEER J.YANIK	DATE 12/31/01
APPROVED D.INGLE	DATE 7/7/06
PREVIOUS DWG	
NEXT DWG	FILENAME C103334B.DFT



5290 Concourse Drive  
 Roanoke, VA 24019  
 Phone: 800-622-7711  
 Fax: 540-265-0724  
 www.occfiber.com

DWG TITLE		CUSTOMER DRAWING, ASSY, FACEPLATE, SNG, OVERSIZED, UMJ X 3 MTG	
SIZE B	DWG NO. C103334	REV B	
SCALE: NONE	SHEET 1 OF 1		