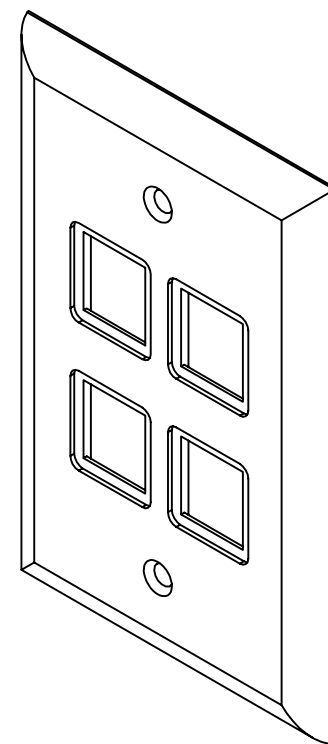
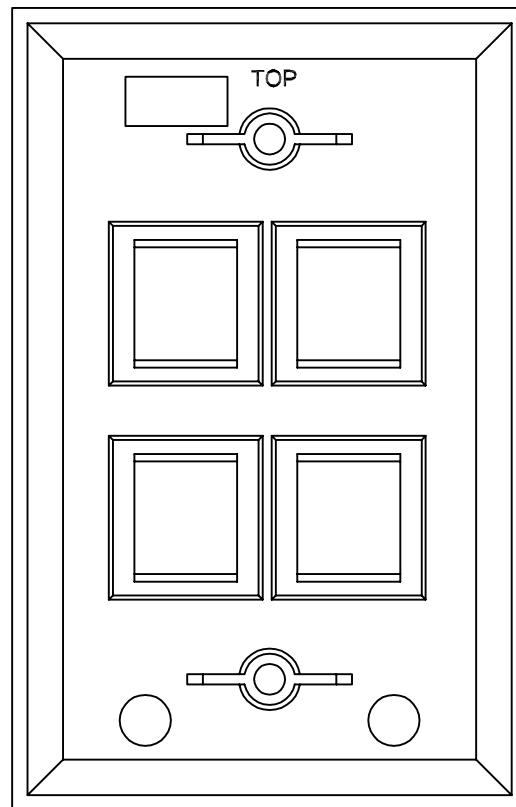
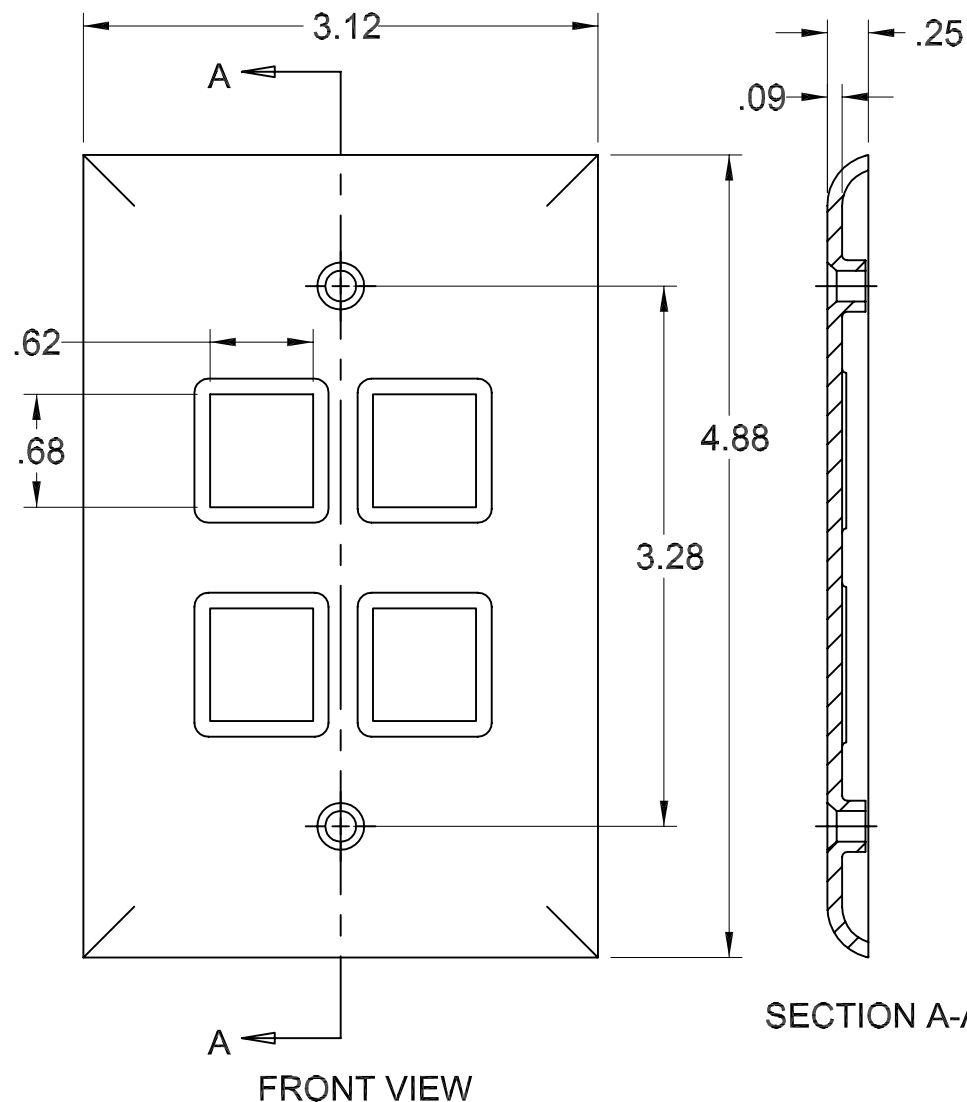
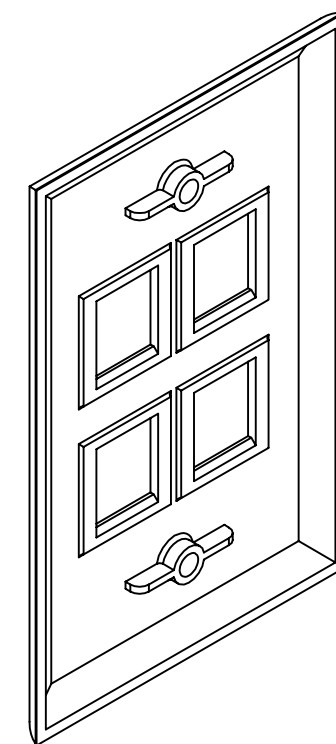


REVISION HISTORY					
REV	SHT	DESCRIPTION	DATE	ECN	CHECKED
A	ALL	RELEASE NEW	12/31/01	NEW	RBS
B	-	ADDED: COLOR -12 TO PART LIST; UPDATED: NOTE 1	7/6/06	-	DAH



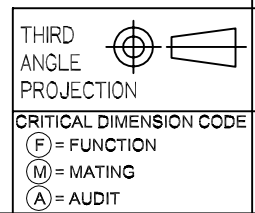
ISOMETRIC (FRONT)



ISOMETRIC (REAR)

SMP PART NO.	DESCRIPTION
FPR0412	ASSY, FACEPLATE, SNG, OVRZD, UMJ X 4 MTG, BRIGHT WHITE
FPR0407	ASSY, FACEPLATE, SNG, OVRZD, UMJ X 4 MTG, WHITE
FPR0401	ASSY, FACEPLATE, SNG, OVRZD, UMJ X 4 MTG, OFFICE WHITE
FPR0400	ASSY, FACEPLATE, SNG, OVRZD, UMJ X 4 MTG, ELEC. IVORY

NOTES: UNLESS OTHERWISE SPECIFIED.
 1. FACEPLATE ASSY PROVIDED WITH (1 each) MOUNTING HARDWARE KIT.



UNCONTROLLED COPY	
UNLESS OTHERWISE SPECIFIED DIMENSIONS ARE IN INCHES. TOLERANCES: FRACTIONS ±1/32" ANGLES ±1/2° 3 PLACE DECIMALS ±.005" 2 PLACE DECIMALS ±.01"	
THIS DRAWING AND THE DESIGN SHOWN ARE THE PROPERTY OF OPTICAL CABLE CORPORATION AND MAY NOT BE USED AS THE BASIS FOR MANUFACTURE OR SALE WITHOUT SPECIFIC WRITTEN PERMISSION OF OPTICAL CABLE CORPORATION.	
DRAWN D.A.HOLBERT	DATE 12/31/01
CHECKED R.B.SMITH	DATE 1/16/02
ENGINEER J.YANIK	DATE 12/31/01
APPROVED D.INGLE	DATE 7/7/06
PREVIOUS DWG	
NEXT DWG	FILENAME C103335B.DFT
MATERIAL	SEE BILL OF MATERIAL
FINISH	SEE NOTES

	5290 Concourse Drive Roanoke, VA 24019 Phone: 800-622-7711 Fax: 540-265-0724 www.occfiber.com	
	DWG TITLE CUSTOMER DRAWING, ASSY, FACEPLATE, SNG, OVERSIZED, UMJ X 4 MTG	
SIZE B	DWG NO. C103335	REV B
NEXT DWG	SCALE: NONE	SHEET 1 OF 1