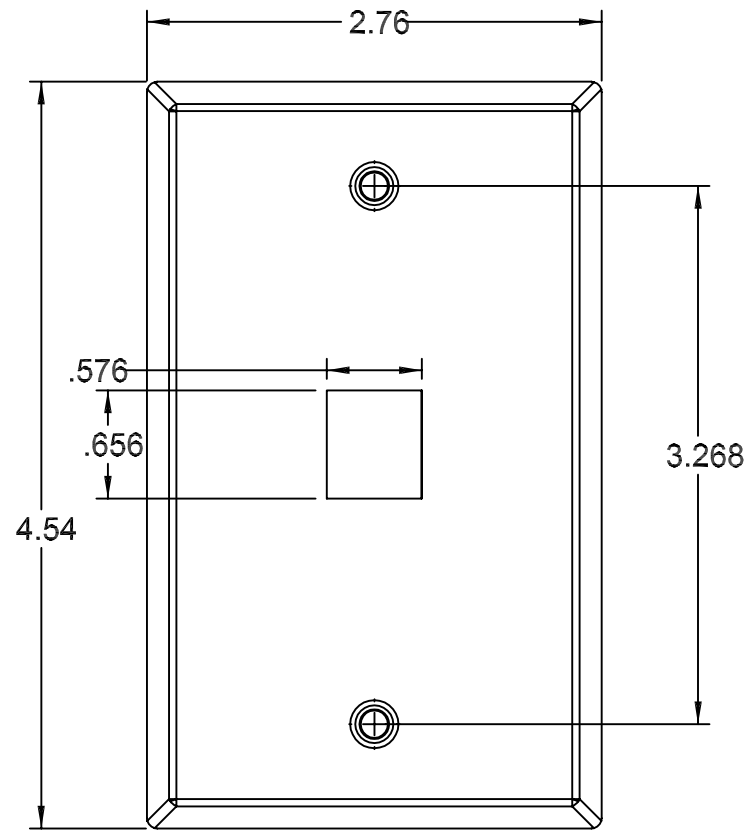
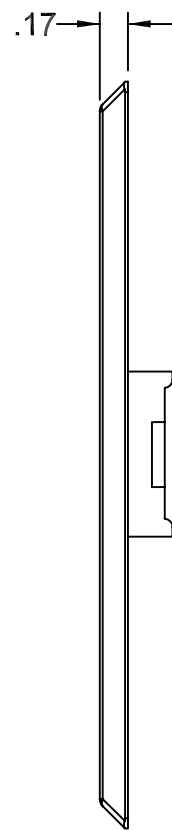


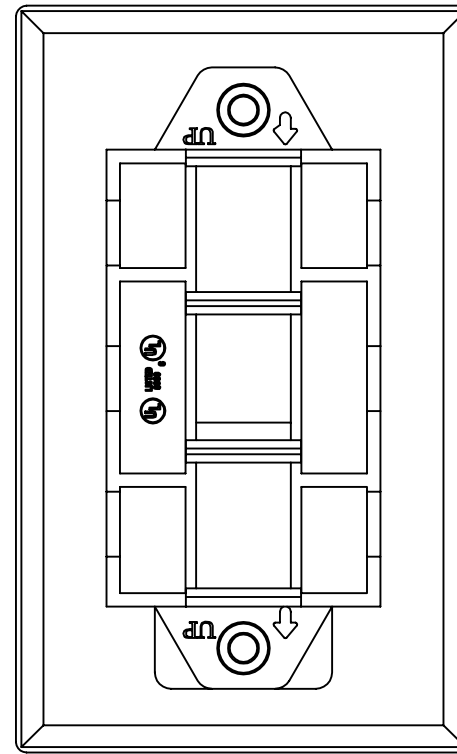
REVISION HISTORY					
REV	SHT	DESCRIPTION	DATE	ECN	CHECKED
A	ALL	RELEASE NEW	1/25/05	NEW	JS
B	-	ADDED: ISOMETRIC DWG VIEWS	5/16/05	NEW	DAH



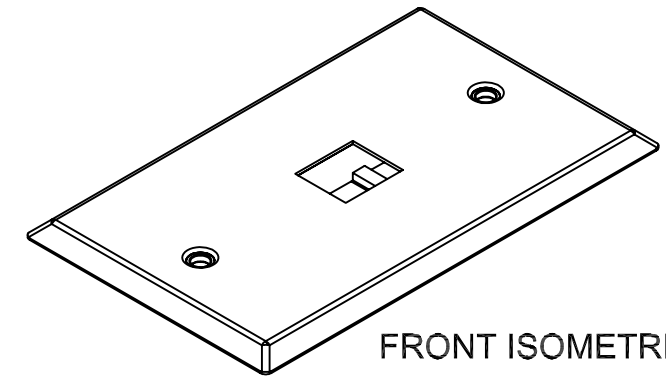
FRONT VIEW



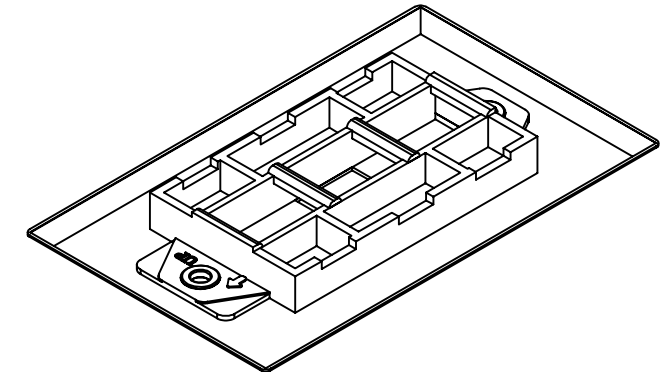
RIGHT SIDE



REAR VIEW



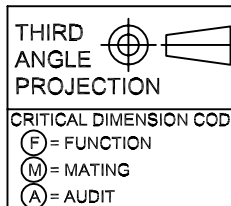
FRONT ISOMETRIC

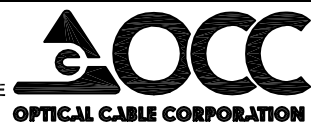


REAR ISOMETRIC

NOTES: UNLESS OTHERWISE SPECIFIED.

1. FACEPLATE ASSEMBLIES ARE PROVIDED WITH (1 each) HARDWARE KIT.



FPSK01SS		FACEPLATE ASSY, SG, FM, KMJ X 1 MTG, STAINLESS STEEL, COMMERCIAL			
OCC PART NO.		DESCRIPTION			
UNCONTROLLED COPY					
UNLESS OTHERWISE SPECIFIED DIMENSIONS ARE IN INCHES. TOLERANCES: FRACTIONS ±1/32" ANGLES ±1/2° 3 PLACE DECIMALS ±.005" 2 PLACE DECIMALS ±.01"		THIS DRAWING AND THE DESIGN SHOWN ARE THE PROPERTY OF OPTICAL CABLE CORPORATION AND MAY NOT BE USED AS THE BASIS FOR MANUFACTURE OR SALE WITHOUT SPECIFIC WRITTEN PERMISSION OF OPTICAL CABLE CORPORATION.		 OPTICAL CABLE CORPORATION 33 Superior Way Swannanoa, NC 28778 Phone: 828-298-2260 Fax: 828-298-2487 www.occfiber.com	
MATERIAL SEE BILL OF MATERIAL		DRAWN E.WETLI	DATE 1/25/05		
FINISH SEE NOTES; FOR COLOR SEE OCC SPEC# 100004		CHECKED J.SHERRILL	DATE 5/16/06	SIZE B	DWG NO. C107141
		ENGINEER J.YANIK	DATE 1/25/05	REV B	
		APPROVED J.HOWE	DATE 5/16/06	SCALE: NONE	SHEET 1 OF 1
		PREVIOUS DWG		FILENAME C107141B.DFT	
		NEXT DWG			