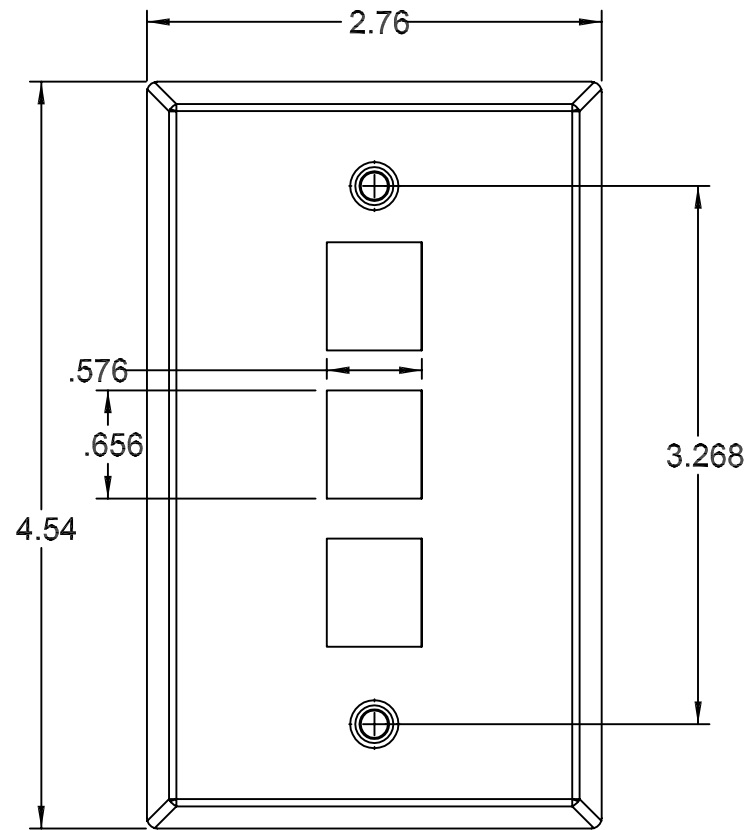
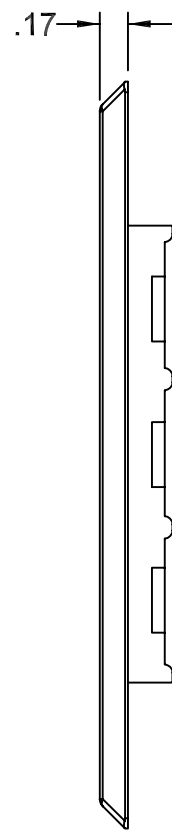


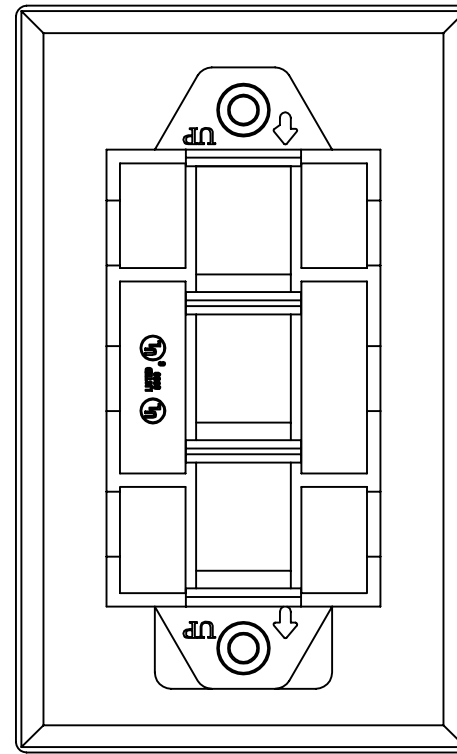
REVISION HISTORY					
REV	SHT	DESCRIPTION	DATE	ECN	CHECKED
A	ALL	RELEASE NEW	1/25/05	NEW	JS
B	-	ADDED: ISOMETRIC DWG VIEWS	5/16/05	NEW	DAH



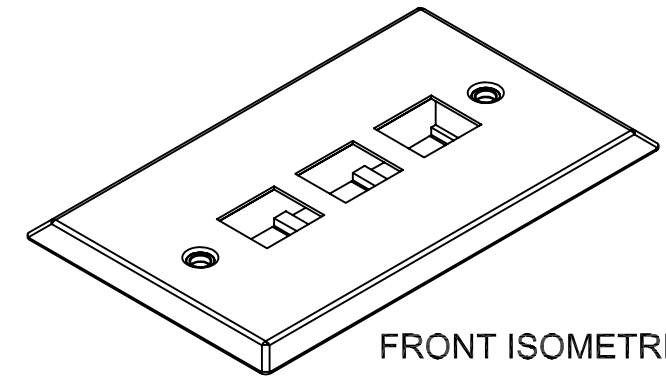
FRONT VIEW



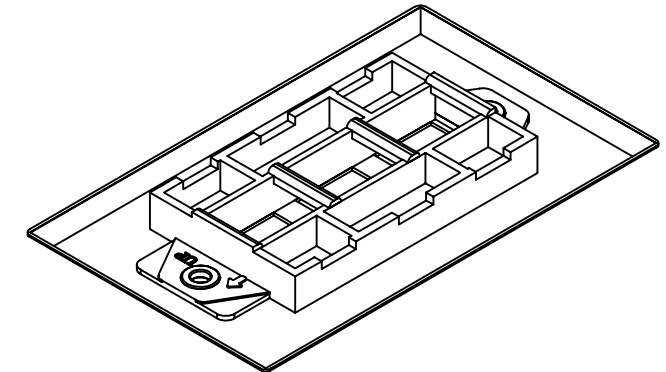
RIGHT SIDE



REAR VIEW



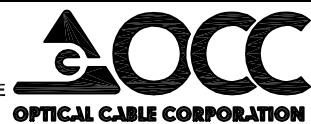
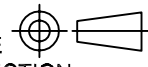
FRONT ISOMETRIC



REAR ISOMETRIC

NOTES: UNLESS OTHERWISE SPECIFIED.

1. FACEPLATE ASSEMBLIES ARE PROVIDED WITH (1 each) HARDWARE KIT.

FPSK03SS	FACEPLATE ASSY, SG, FM, KMJ X 3 MTG, STAINLESS STEEL, COMMERCIAL				
OCC PART NO.	DESCRIPTION				
UNCONTROLLED COPY					
UNLESS OTHERWISE SPECIFIED DIMENSIONS ARE IN INCHES. TOLERANCES: FRACTIONS ±1/32" ANGLES ±1/2° 3 PLACE DECIMALS ±.005" 2 PLACE DECIMALS ±.01"			THIS DRAWING AND THE DESIGN SHOWN ARE THE PROPERTY OF OPTICAL CABLE CORPORATION AND MAY NOT BE USED AS THE BASIS FOR MANUFACTURE OR SALE WITHOUT SPECIFIC WRITTEN PERMISSION OF OPTICAL CABLE CORPORATION.		
DRAWN E.WETLI		DATE 1/25/05	 OPTICAL CABLE CORPORATION 33 Superior Way Swannanoa, NC 28778 Phone: 828-298-2260 Fax: 828-298-2487 www.occfiber.com		
CHECKED J.SHERRILL		DATE 5/16/06			
ENGINEER J.YANIK		DATE 1/25/05			
APPROVED J.HOWE		DATE 5/16/06			
MATERIAL SEE BILL OF MATERIAL		PREVIOUS DWG	DWG TITLE CUSTOMER DRAWING, FACEPLATE ASSY, SNG GANG, STN. STEEL, FM, KMJ X 3 MTG		
FINISH SEE NOTES; FOR COLOR SEE OCC SPEC# 100004		FILENAME C107143B.DFT	SIZE B	DWG NO. C107143	REV B
THIRD ANGLE PROJECTION  CRITICAL DIMENSION CODE (F) = FUNCTION (M) = MATING (A) = AUDIT		SCALE: NONE	SHEET 1 OF 1		