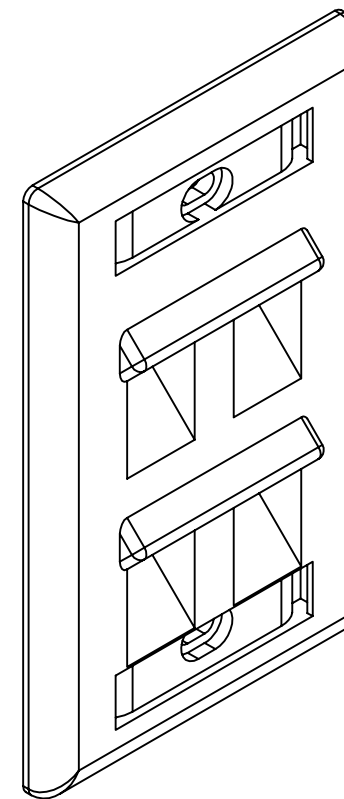
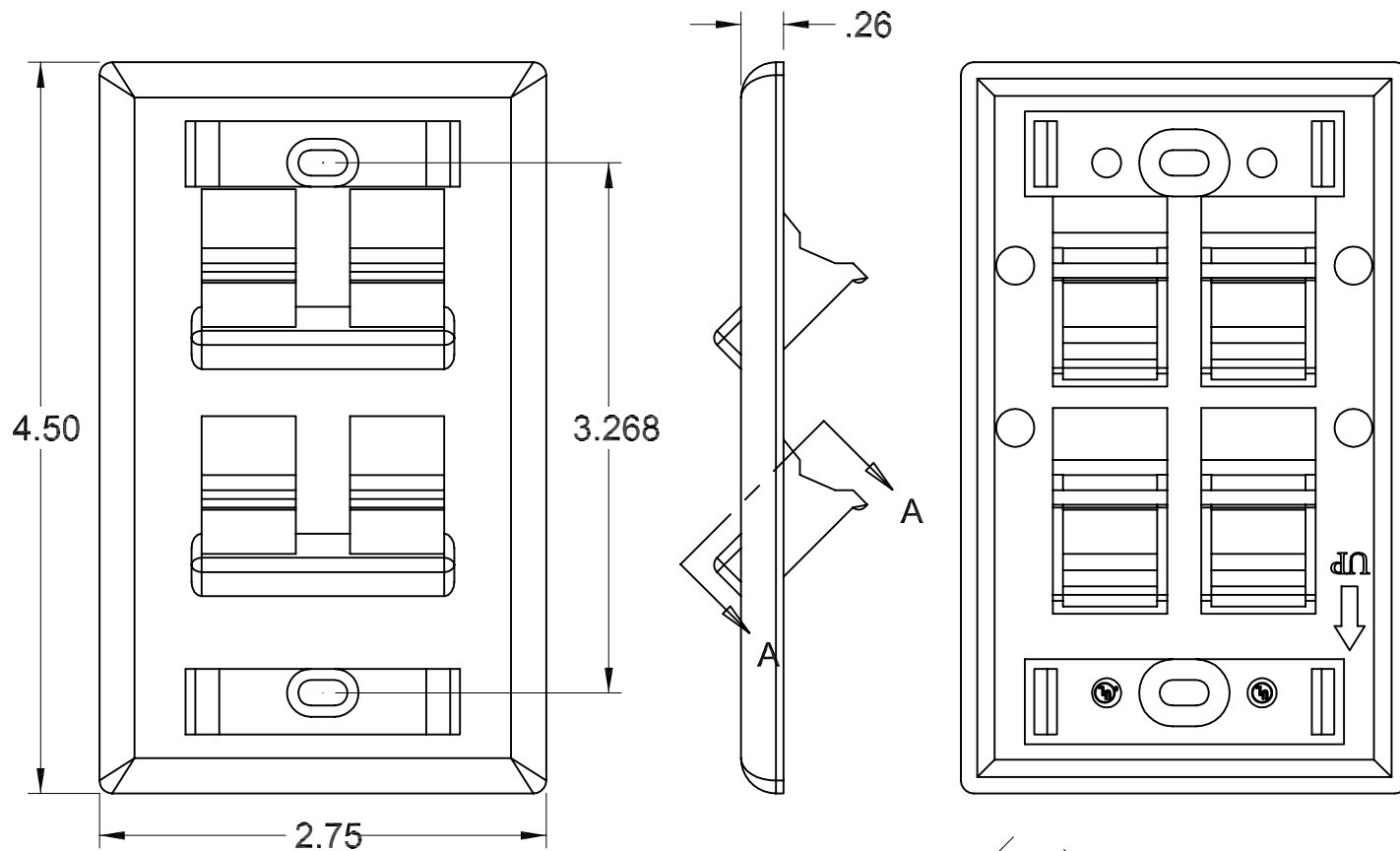
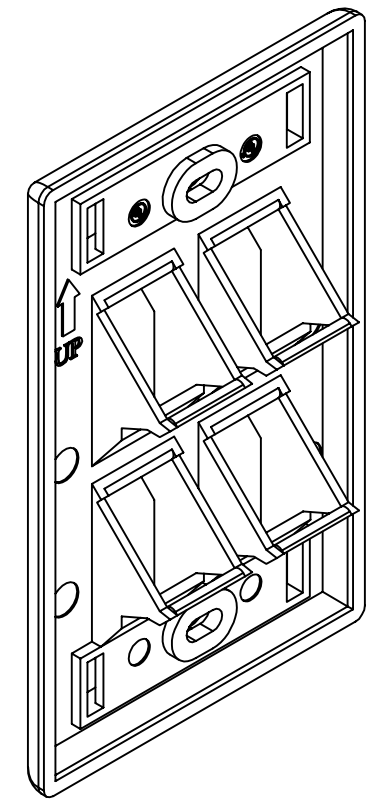


REVISION HISTORY				
REV	SHT	DESCRIPTION	DATE	CHECKED
A	ALL	RELEASE NEW	1/27/05	NEW JS
B	-	UPDATE: GENERAL NOTES	9/13/05	- JH

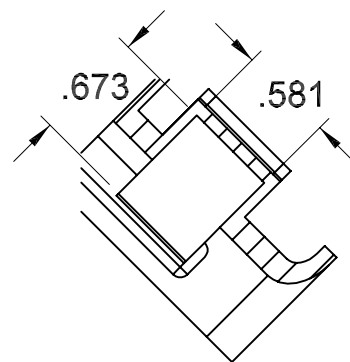


FRONT VIEW



REAR VIEW

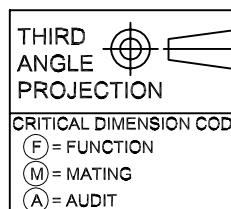
- NOTES: UNLESS OTHERWISE SPECIFIED.
1. INCLUDES A HARDWARE KIT (2 ea. SCREWS) #6-32 X 7/8", PAINTED PER "COLOR".
  2. "XX" IN PART NUMBER DESIGNATES "COLOR CODE".



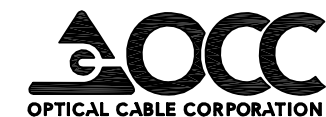
SECTION A-A

SUFFIX	COLOR CODE
00	ELEC. IVORY
01	OFFICE WHITE
02	BLACK
03	RED
04	GREEN
05	BLUE
06	GREY
07	WHITE
08	ORANGE
09	YELLOW
10	PURPLE
11	BROWN
12	BRIGHT WHITE

UNCONTROLLED COPY



FPSK04AXX	FACEPLATE, SG, ANGLED, KMJ x 4 PORT, "COLOR", COMMERCIAL		
OCC PART NO.	DESCRIPTION		
<b>UNCONTROLLED COPY</b>			
UNLESS OTHERWISE SPECIFIED DIMENSIONS ARE IN INCHES. TOLERANCES: FRACTIONS ±1/32" ANGLES ±1/2° 3 PLACE DECIMALS ±.005" 2 PLACE DECIMALS ±.01"		THIS DRAWING AND THE DESIGN SHOWN ARE THE PROPERTY OF OPTICAL CABLE CORPORATION AND MAY NOT BE USED AS THE BASIS FOR MANUFACTURE OR SALE WITHOUT SPECIFIC WRITTEN PERMISSION OF OPTICAL CABLE CORPORATION.	
DRAWN	E.WETLI	DATE	1/27/05
CHECKED	J.SHERRILL	DATE	1/28/05
ENGINEER	J.YANIK	DATE	1/27/05
APPROVED	J.HOWE	DATE	9/13/05
PREVIOUS DWG			
NEXT DWG	FILENAME	C107157B.DFT	SCALE: NONE SHEET 1 OF 1
DWG TITLE		CUSTOMER DRAWING, FACEPLATE, SG, ANGLED, KMJ x 4 PORT, COMMERCIAL	
		SIZE	B
DWG NO.		C107157	
REV		B	



5290 Concourse Drive  
 Roanoke, VA 24019  
 Phone: 800-622-7711  
 Fax: 540-265-0724  
 www.occfiber.com