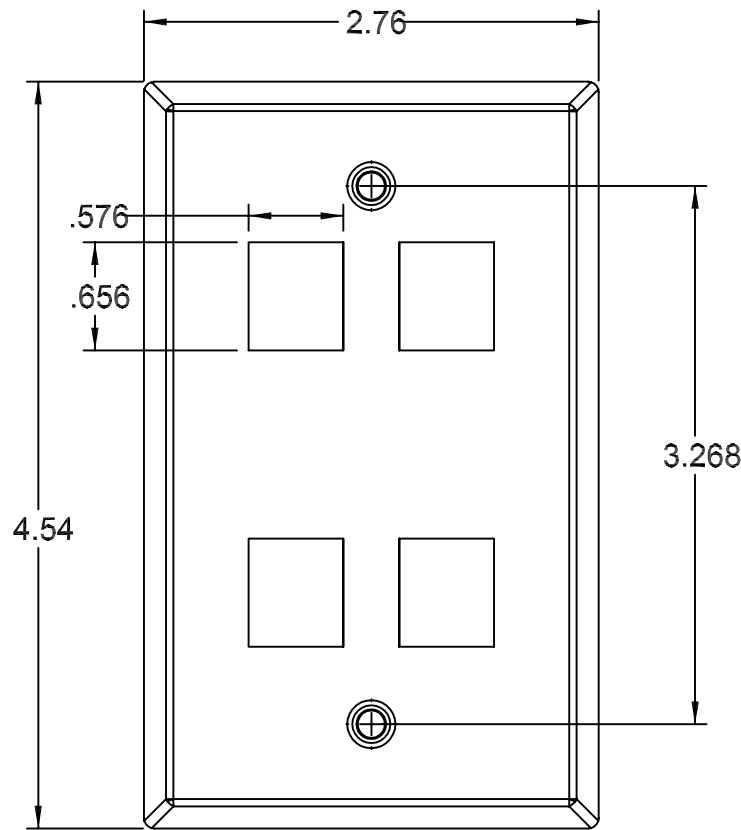
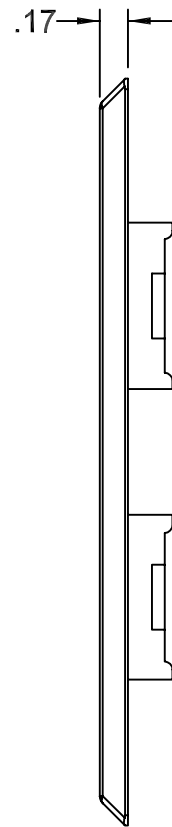


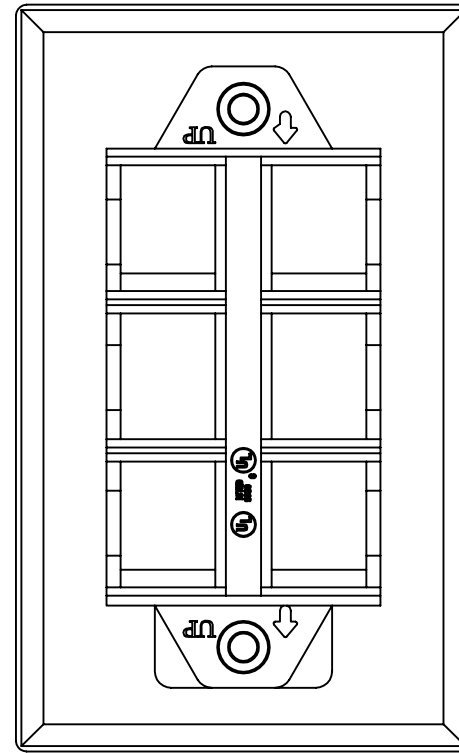
| REVISION HISTORY | | | | | |
|------------------|-----|----------------------------|---------|-----|---------|
| REV | SHT | DESCRIPTION | DATE | ECN | CHECKED |
| A | ALL | RELEASE NEW | 1/25/05 | NEW | JS |
| B | - | ADDED: ISOMETRIC DWG VIEWS | 5/16/05 | NEW | DAH |



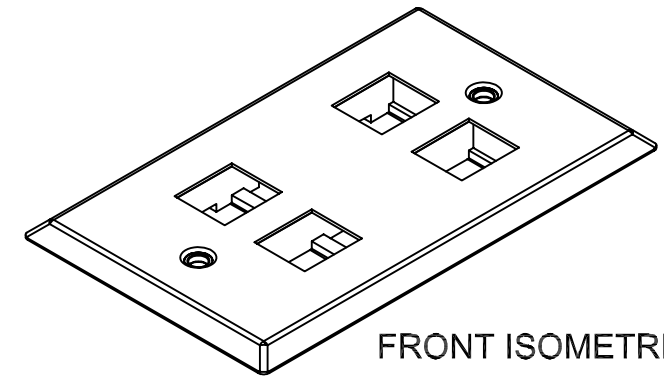
FRONT VIEW



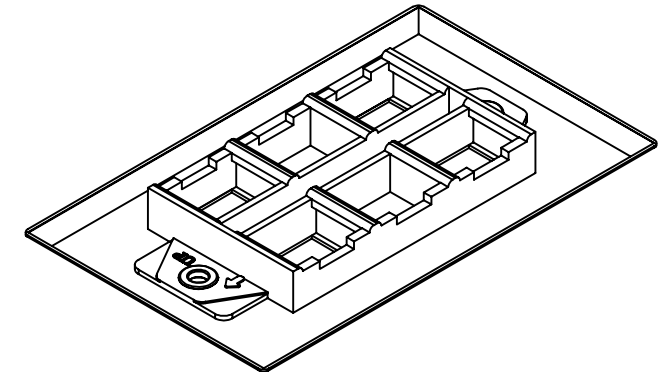
RIGHT SIDE



REAR VIEW



FRONT ISOMETRIC




REAR ISOMETRIC

NOTES: UNLESS OTHERWISE SPECIFIED.

1. FACEPLATE ASSEMBLIES ARE PROVIDED WITH (1 each) HARDWARE KIT.

| | |
|----------|--|
| FPSK04SS | FACEPLATE ASSY, SG, FM, KMJ X 4 MTG, STAINLESS STEEL, COMMERCIAL |
|----------|--|

| | |
|--------------|-------------|
| OCC PART NO. | DESCRIPTION |
|--------------|-------------|

| | | | |
|---|--|---|--|
| UNCONTROLLED COPY | |  OPTICAL CABLE CORPORATION | 33 Superior Way Swannanoa, NC 28778 Phone: 828-298-2260 Fax: 828-298-2487 www.occfiber.com |
| UNLESS OTHERWISE SPECIFIED DIMENSIONS ARE IN INCHES. TOLERANCES: FRACTIONS ±1/32" ANGLES ±1/2° 3 PLACE DECIMALS ±.005" 2 PLACE DECIMALS ±.01" | THIS DRAWING AND THE DESIGN SHOWN ARE THE PROPERTY OF OPTICAL CABLE CORPORATION AND MAY NOT BE USED AS THE BASIS FOR MANUFACTURE OR SALE WITHOUT SPECIFIC WRITTEN PERMISSION OF OPTICAL CABLE CORPORATION. | | |

| | | | | | | |
|--|--------------------|-----------------------|---|------------------|---------------------------|-----------------|
| MATERIAL SEE BILL OF MATERIAL | DRAWN E.WETLI | DATE 1/25/05 | DWG TITLE CUSTOMER DRAWING, FACEPLATE ASSY, SNG GANG, STN. STEEL, FM, KMJ X 4 MTG | SIZE B | DWG NO. C107144 | REV B |
| FINISH SEE NOTES; FOR COLOR SEE OCC SPEC# 100004 | CHECKED J.SHERRILL | DATE 5/16/06 | | | | |
| | ENGINEER J.YANIK | DATE 1/25/05 | | | | |
| | APPROVED J.HOWE | DATE 5/16/06 | | | | |
| | PREVIOUS DWG | | | | | |
| | NEXT DWG | FILENAME C107144B.DFT | SCALE: NONE | SHEET 1 OF 1 | | |

