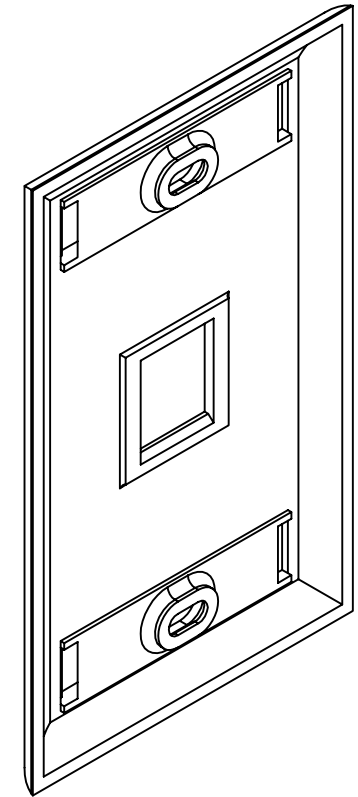
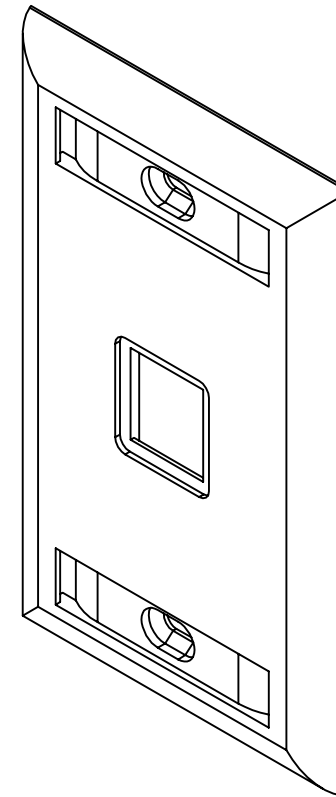
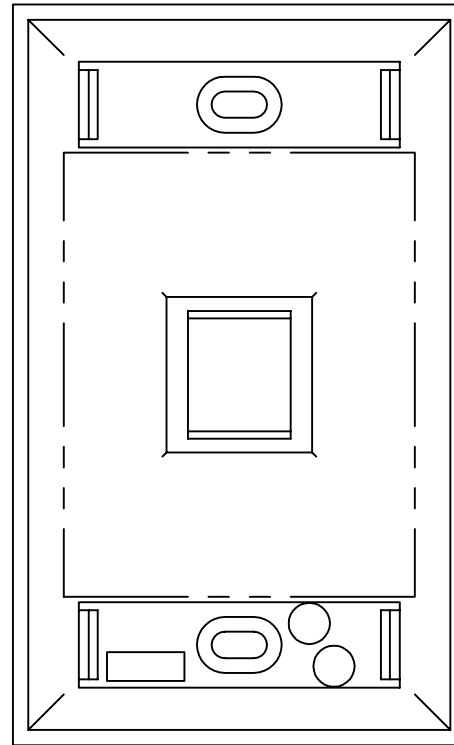
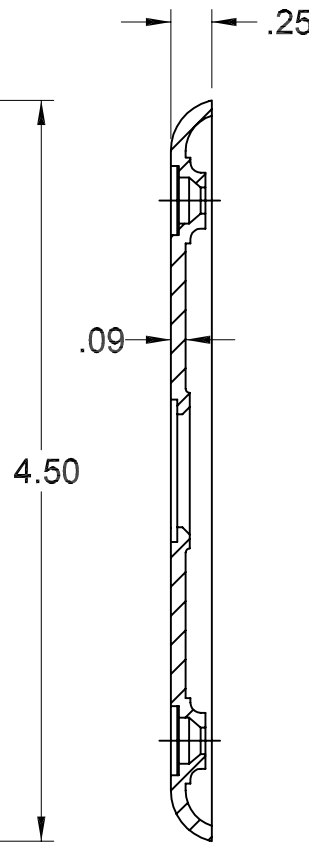
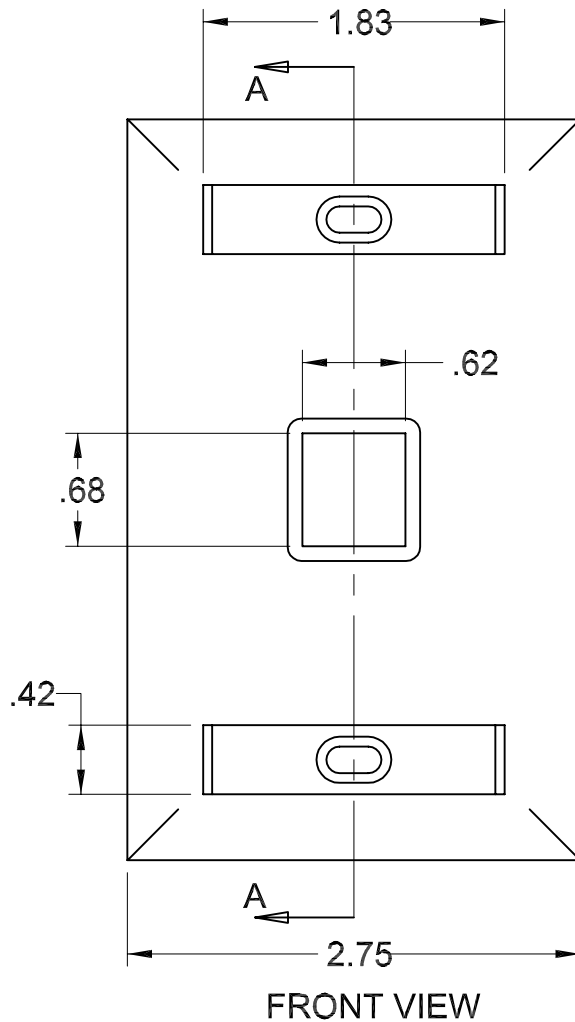


REVISION HISTORY				
REV	SHT	DESCRIPTION	DATE	CHECKED
A	ALL	RELEASE NEW	7/6/06	RBS



ISOMETRIC (FRONT)

ISOMETRIC (REAR)

SECTION A-A

REAR VIEW

FPSR0112	ASSY, FACEPLATE, SNG, STD., 1 PORT, UMJ, BRIGHT WHITE
FPSR0107	ASSY, FACEPLATE, SNG, STD., 1 PORT, UMJ, WHITE
FPSR0101	ASSY, FACEPLATE, SNG, STD., 1 PORT, UMJ, OFFICE WHITE
FPSR0100	ASSY, FACEPLATE, SNG, STD., 1 PORT, UMJ, ELEC. IVORY
OCC PART NO.	DESCRIPTION

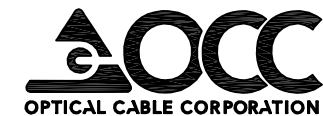
NOTES: UNLESS OTHERWISE SPECIFIED.

1. FACEPLATE ASSY PROVIDED WITH (1 each) MOUNTING HARDWARE KIT.

UNCONTROLLED COPY

UNLESS OTHERWISE SPECIFIED DIMENSIONS ARE IN INCHES.
TOLERANCES: FRACTIONS $\pm 1/32"$
ANGLES $\pm 1/2^\circ$
3 PLACE DECIMALS $\pm .005"$
2 PLACE DECIMALS $\pm .01"$

THIS DRAWING AND THE DESIGN SHOWN ARE THE PROPERTY OF OPTICAL CABLE CORPORATION AND MAY NOT BE USED AS THE BASIS FOR MANUFACTURE OR SALE WITHOUT SPECIFIC WRITTEN PERMISSION OF OPTICAL CABLE CORPORATION.



5290 Concourse Drive
Roanoke, VA 24019
Phone: 800-622-7711
Fax: 540-265-0724
www.occfiber.com



CRITICAL DIMENSION CODE

- (F) = FUNCTION
- (M) = MATING
- (A) = AUDIT

MATERIAL
SEE BILL OF MATERIAL

FINISH
SEE NOTES; FOR COLOR
SEE OCC SPEC# 100004

DRAWN	D.A.HOLBERT	DATE	7/6/06
CHECKED	R.B.SMITH	DATE	7/7/06
ENGINEER	J.YANIK	DATE	7/6/06
APPROVED	D.INGLE	DATE	7/7/06
PREVIOUS DWG			
NEXT DWG		FILENAME	C107759A.DFT

DWG TITLE
**CUSTOMER DRAWING,
ASSY, FACEPLATE, SNG,
STD., 1 PORT, UMJ**

SIZE	B	DWG NO.	C107759	REV	A
SCALE:	NONE	SHEET	1 OF 1		