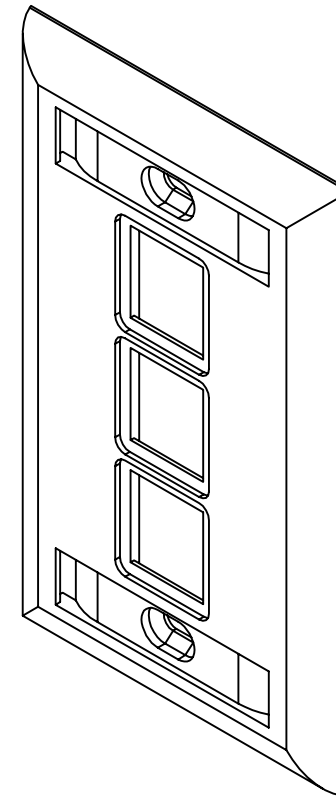
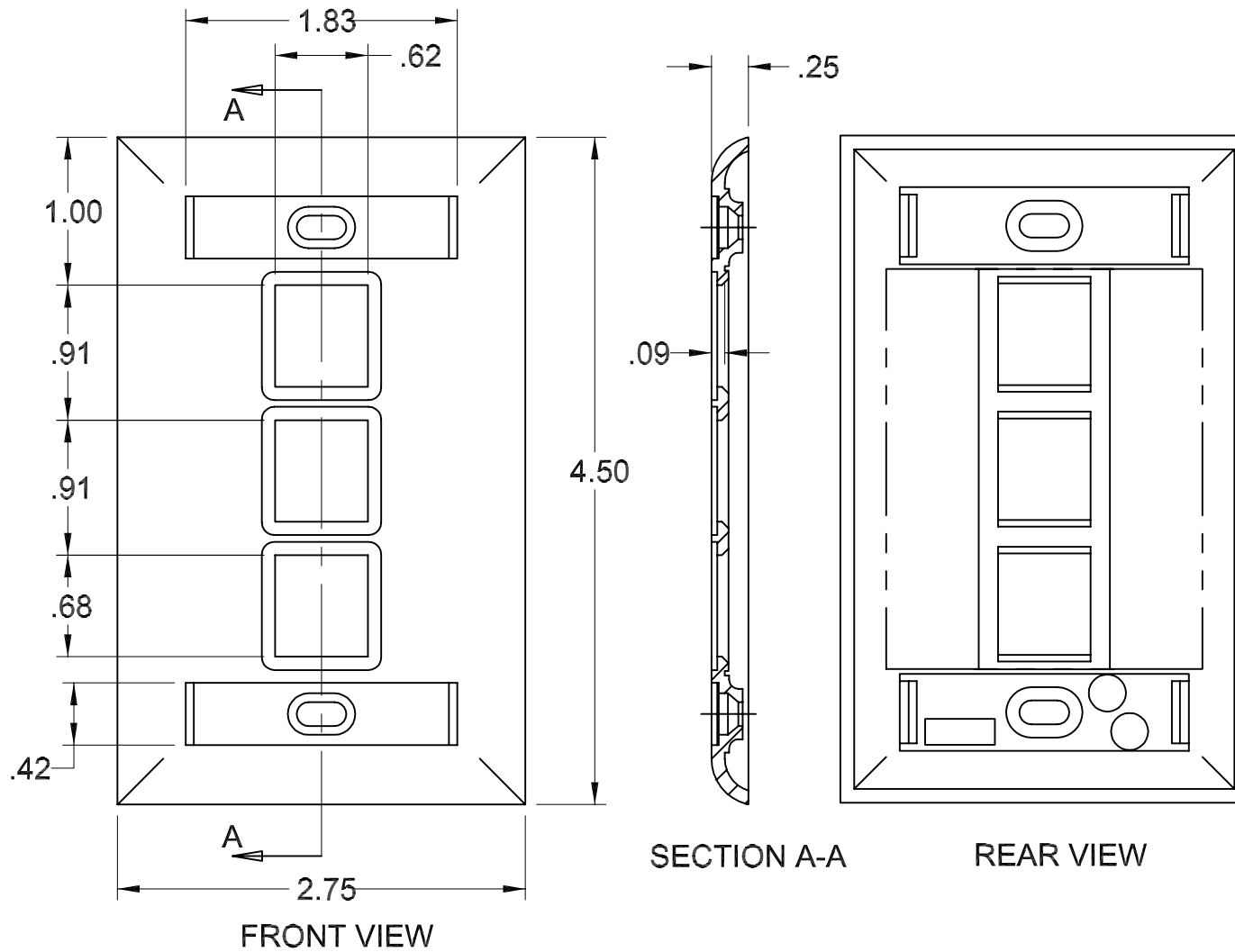
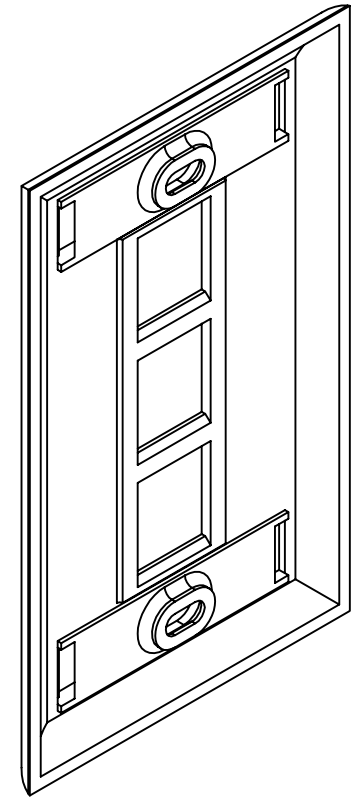


REVISION HISTORY				
REV	SHT	DESCRIPTION	DATE	CHECKED
A	ALL	RELEASE NEW	7/6/06	RBS



ISOMETRIC (FRONT)



ISOMETRIC (REAR)

OCC PART NO.	DESCRIPTION
FPSR0312	ASSY, FACEPLATE, SNG, STD., 3 PORT, UMJ, BRIGHT WHITE
FPSR0307	ASSY, FACEPLATE, SNG, STD., 3 PORT, UMJ, WHITE
FPSR0301	ASSY, FACEPLATE, SNG, STD., 3 PORT, UMJ, OFFICE WHITE
FPSR0300	ASSY, FACEPLATE, SNG, STD., 3 PORT, UMJ, ELEC. IVORY

NOTES: UNLESS OTHERWISE SPECIFIED.
 1. FACEPLATE ASSY PROVIDED WITH (1 each) MOUNTING HARDWARE KIT.

UNCONTROLLED COPY	
UNLESS OTHERWISE SPECIFIED DIMENSIONS ARE IN INCHES. TOLERANCES: FRACTIONS ±1/32" ANGLES ±1/2° 3 PLACE DECIMALS ±.005" 2 PLACE DECIMALS ±.01"	
THIS DRAWING AND THE DESIGN SHOWN ARE THE PROPERTY OF OPTICAL CABLE CORPORATION AND MAY NOT BE USED AS THE BASIS FOR MANUFACTURE OR SALE WITHOUT SPECIFIC WRITTEN PERMISSION OF OPTICAL CABLE CORPORATION.	
DRAWN D.A.HOLBERT	DATE 7/6/06
CHECKED R.B.SMITH	DATE 7/7/06
ENGINEER J.YANIK	DATE 7/6/06
APPROVED D.INGLE	DATE 7/7/06
PREVIOUS DWG	
NEXT DWG	FILENAME C107761A.DFT

OCC
OPTICAL CABLE CORPORATION

5290 Concourse Drive
 Roanoke, VA 24019
 Phone: 800-622-7711
 Fax: 540-265-0724
 www.occfiber.com

DWG TITLE: **CUSTOMER DRAWING, ASSY, FACEPLATE, SNG, STD., 3 PORT, UMJ**

SIZE: **B** DWG NO.: **C107761** REV: **A**

SCALE: NONE SHEET: 1 OF 1

