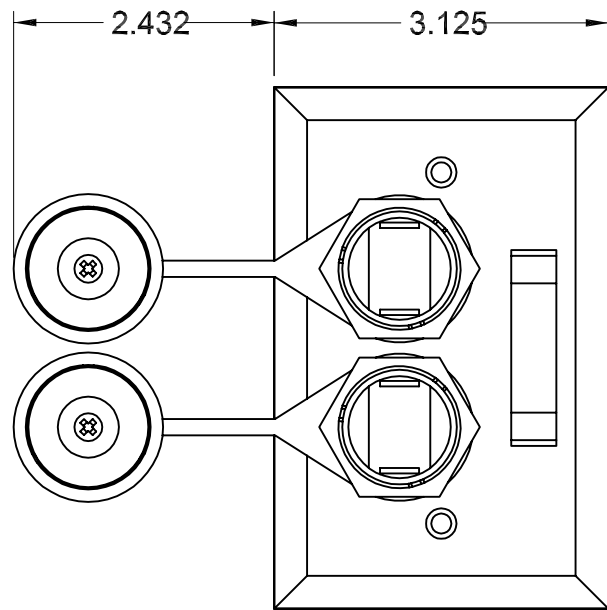
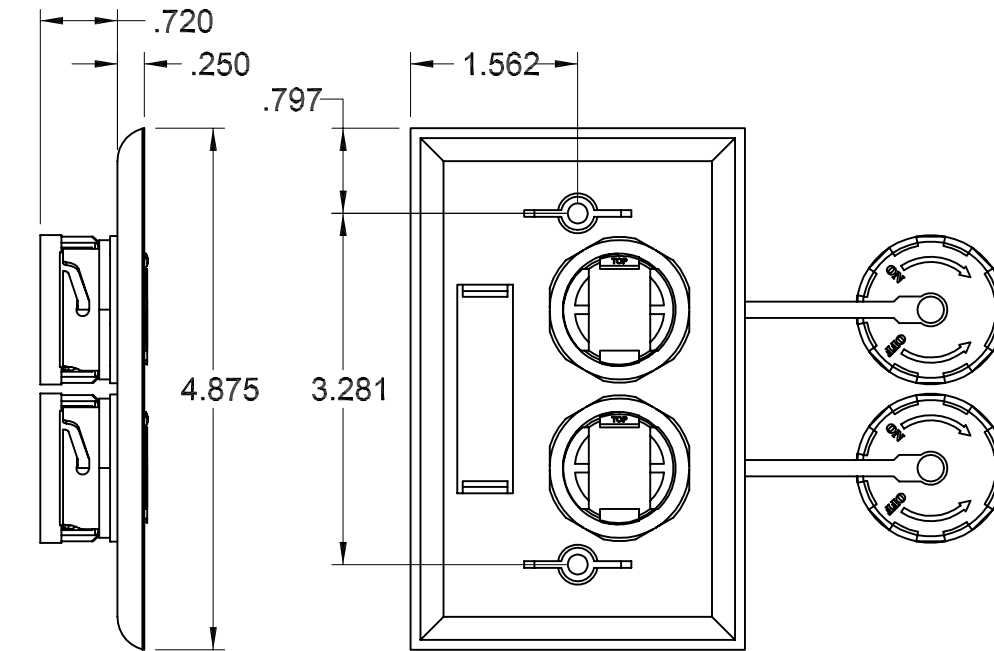


REV		SHT		REVISION HISTORY			DATE	ECN	CHECKED
				DESCRIPTION					
A	ALL	RELEASE NEW					4/12/08	NEW	JFM

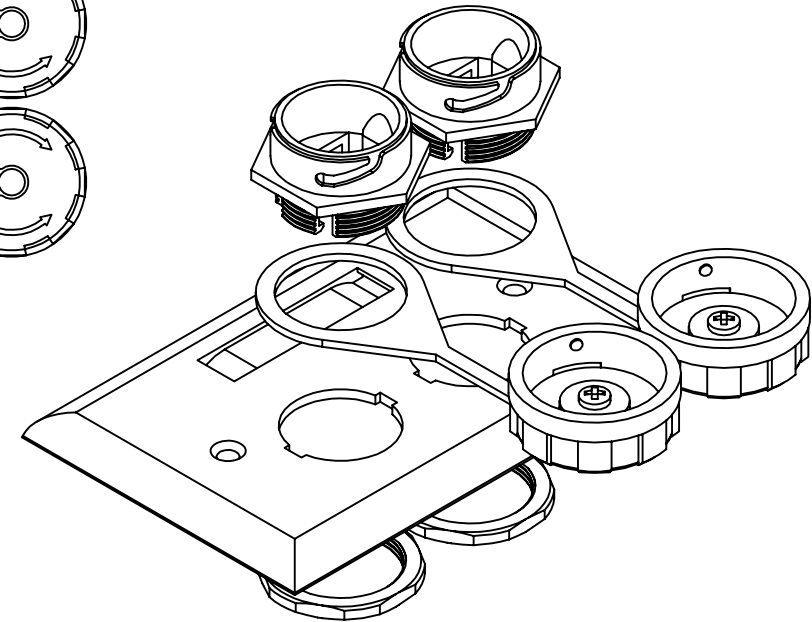


FRONT VIEW

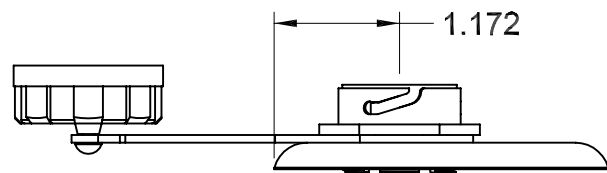


RIGHT SIDE

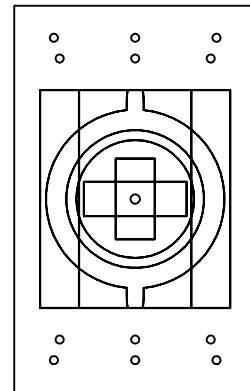
REAR VIEW



ISOMETRIC VIEW



BOTTOM VIEW



REMOVABLE PORTIONS OF GASKET MAY VARY FROM THAT SHOWN IN THIS VIEW

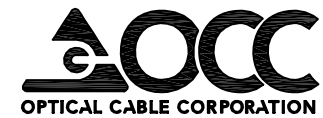
NOTES: UNLESS OTHERWISE SPECIFIED.

- "XX" IN PART NUMBER DESIGNATES COLOR. WHERE: 00 = ELEC. IVORY
01 = OFFICE WHITE
12 = BRIGHT WHITE
- FACEPLATE ASSY PROVIDED WITH (1 each) MOUNTING HARDWARE KIT, SCREWS ARE PAINTED PER COLOR TO MATCH FACEPLATE.

FPWR02XX	FACEPLATE, INDUSTRIAL, WATER RESISTANT, 2 PORT, "COLOR"
----------	---

OCC PART NO.	DESCRIPTION
--------------	-------------

UNLESS OTHERWISE SPECIFIED DIMENSIONS ARE IN INCHES.
TOLERANCES: FRACTIONS ±1/32"
ANGLES ±1/2°
3 PLACE DECIMALS ±.005"
2 PLACE DECIMALS ±.01"



5290 Concourse Drive
Roanoke, VA 24019
Phone: 800-622-7711
Fax: 540-265-0724
www.occfiber.com

MATERIAL	SEE BILL OF MATERIAL
FINISH	SEE NOTES; FOR COLOR SEE OCC SPEC# 100004
THIRD ANGLE PROJECTION	
CRITICAL DIMENSION CODE	(F) = FUNCTION (M) = MATING (A) = AUDIT
APPROVED	J.HOWE
DATE	4/14/08
PREVIOUS DWG	
NEXT DWG	
FILENAME	C108726A.DFT

DWG TITLE		FACEPLATE ASSY, 2 PORT, WATER RESISTANT, INDUSTRIAL	
SIZE	B	DWG NO.	C108726
REV	A	SCALE:	NONE
SHEET		1 OF 1	

UNCONTROLLED COPY