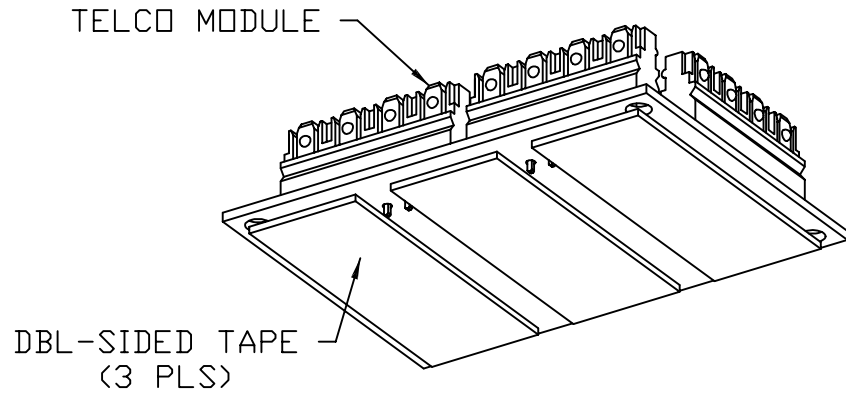


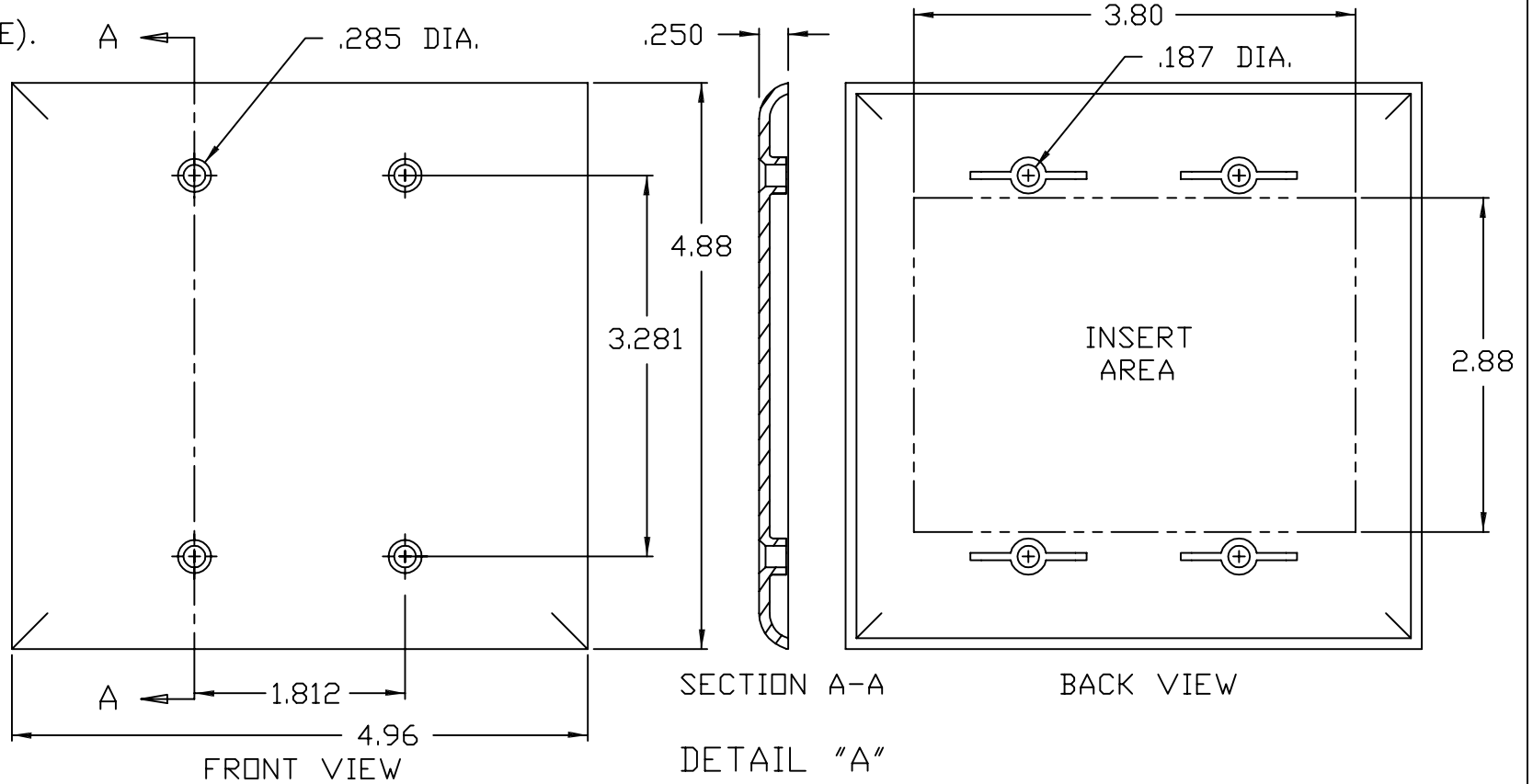
NOTES: UNLESS OTHERWISE SPECIFIED.

1. EACH ASSEMBLY PROVIDED WITH QTY 4 each #6-32 X 1" SCREWS (COLOR SAME AS FACEPLATE).

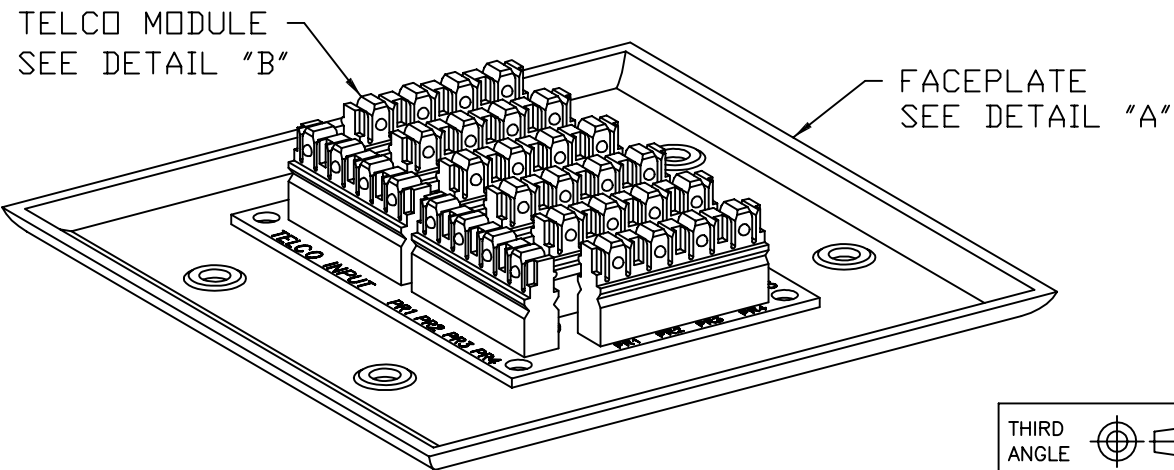
REV			REVISIONS			DATE	ECN	CHECKED
A	ALL	RELEASE NEW				9/15/03	NEW	RBS



DETAIL "B"
FACEPLATE REMOVED
TO SHOW TAPE PLACEMENT



DETAIL "A"
FACEPLATE, DBL-GANG, BLANK



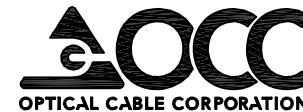
HAX-WP407-00 SHOWN

HAX-WP407-07	HOME AXCESS, FACEPLATE W/TELCO MODULE, WHITE
HAX-WP407-01	HOME AXCESS, FACEPLATE W/TELCO MODULE, OFF.WHITE
HAX-WP407-00	HOME AXCESS, FACEPLATE W/TELCO MODULE, ELEC.IVORY
OCC PART NO.	DESCRIPTION

UNCONTROLLED COPY

UNLESS OTHERWISE SPECIFIED DIMENSIONS ARE IN INCHES
TOLERANCES:
FRACTIONS ±1/32"
ANGLES ±1/2"
3 PLACE DECIMALS ±.005"
2 PLACE DECIMALS ±.01"

THIS DRAWING AND THE DESIGN SHOWN ARE THE PROPERTY OF OPTICAL CABLE CORPORATION AND MAY NOT BE USED AS THE BASIS FOR MANUFACTURE OR SALE WITHOUT SPECIFIC WRITTEN PERMISSION OF OPTICAL CABLE CORPORATION.



5290 Concourse Drive
Roanoke, VA 24019
Phone: 800-622-7711
Fax: 540-265-0724
www.occfiber.com



CRITICAL DIMENSION CODE
Ⓢ = FUNCTION
Ⓜ = MATING
ⓐ = AUDIT

MATERIAL
SEE BILL OF MATERIAL

FINISH
SEE NOTES

DRAWN BY	D.A.HOLBERT	DATE	9/15/03
CHECKED BY	R.B.SMITH	DATE	9/17/03
ENGINEER	J.YANIK	DATE	9/15/03
APPROVED	H.JOHNSON	DATE	4/20/10
PREVIOUS DWG			
NEXT DWG			

DWG TITLE		ASSEMBLY DRAWING, HAX-WP407-XX	
SIZE	B	DWG NO.	C106291
SCALE	NONE	SHEET	1 OF 1
REV	A		

FILENAME C106291A.DWG