

APPLICATIONS:

- ANALOG VOICE / VOIP / IPTV
- 10 / 100 / 1000 BASE-T ETHERNET
- IEEE 802.3 AF / AT PoE

SPECIFICATIONS:

- ANSI / TIA-568-C.2 CATEGORY 5e
- ANSI / TIA-968-A
- IEC 60603-7

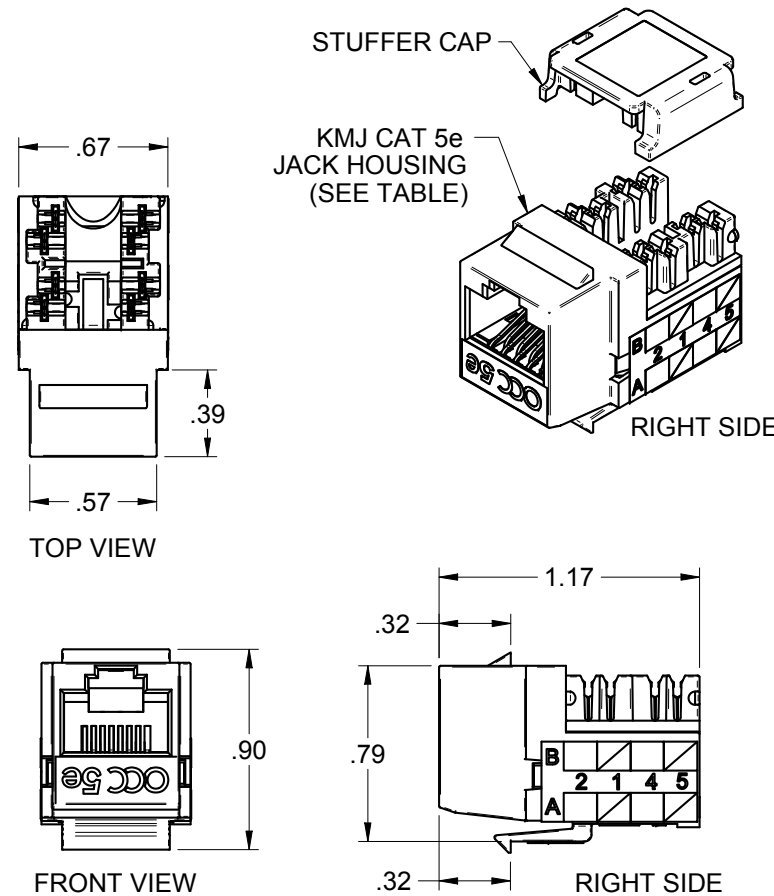
MATERIALS:

- JACK HOUSING: UL 94V-0 RATED THERMOPLASTIC MODULAR INTERFACE MATING CONTACT
- MATERIAL: BERYLLIUM COPPER
- PLATING: 50 MICRO-INCH (MIN) HARD GOLD OVER 100 MICRO-INCH (MIN) NICKEL OR APPROVED ALTERNATE PLATING PROCESS
- INSERTIONS / WITHDRAWALS: ≥750
- 110-STYLE IDC TERMINAL
- MATERIAL: PHOSPHOR BRONZE
- PLATING: 100 MICRO-INCH (MIN) MATTE TIN OVER 50 MICRO-INCH (MIN) NICKEL
- WIRE GAUGE RANGE: 22-26 AWG
- INSERTIONS / WITHDRAWALS: ≥200

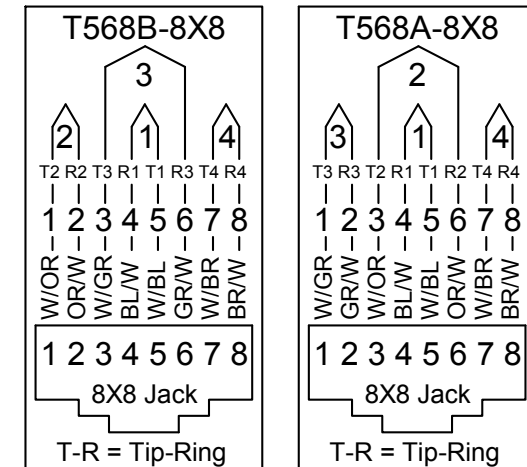
CODE & COMPLIANCE:

- UL LISTED
- CSA CERTIFIED
- E.U. RoHS DIRECTIVE 2002/95/EC COMPLIANT

"OPTICAL CABLE CORPORATION (OCC) RESERVES THE RIGHT TO REVISE ANY AND ALL DESIGN SPECIFICATIONS."



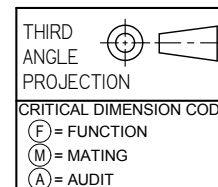
8 POSITION MODULAR JACK



COLOR TABLE

KMJ HOUSING "XX"	
ELEC. IVORY	00
OFFICE WHITE	01
BLACK	02
RED	03
GREEN	04
BLUE	05
GRAY	06
ORANGE	08
YELLOW	09
PURPLE	10
BROWN	11
BRT. WHITE	12


UNCONTROLLED COPY



UNLESS OTHERWISE SPECIFIED DIMENSIONS ARE IN INCHES. TOLERANCES: FRACTIONS ±1/32" ANGLES ±1/2° 3 PLACE DECIMALS ±.005" 2 PLACE DECIMALS ±.01"

MATERIAL	SEE NOTES
FINISH	SEE NOTES

THIS DRAWING AND THE DESIGN SHOWN ARE THE PROPERTY OF OPTICAL CABLE CORPORATION AND MAY NOT BE USED AS THE BASIS FOR MANUFACTURE OR SALE WITHOUT SPECIFIC WRITTEN PERMISSION OF OPTICAL CABLE CORPORATION.	
DRAWN	D.A.HOLBERT
DATE	8/22/02
CHECKED	J.YANIK
DATE	9/5/02
ENGINEER	S.SEO
DATE	8/22/02
APPROVED	J.CALLOWAY
DATE	11/18/14
PREVIOUS DWG	
NEXT DWG	

KMJA5E"XX"		JACK, KMJ, CAT5e, "COLOR", OCC	
OCC PART NO.		DESCRIPTION	
UNLESS OTHERWISE SPECIFIED DIMENSIONS ARE IN INCHES. TOLERANCES: FRACTIONS ±1/32" ANGLES ±1/2° 3 PLACE DECIMALS ±.005" 2 PLACE DECIMALS ±.01"		 33 Superior Way Swannanoa, NC 28778 Phone: 828-298-2260 Fax: 828-298-2487 www.occfiber.com	
DRAWN		DWG TITLE	
D.A.HOLBERT		CUSTOMER DRAWING, JACK ASSY, KMJ, CAT 5e, OCC	
DATE		DATE	
8/22/02		9/5/02	
ENGINEER		DATE	
S.SEO		8/22/02	
APPROVED		DATE	
J.CALLOWAY		11/18/14	
PREVIOUS DWG		DATE	
NEXT DWG		DATE	
FILENAME C105501D.DFT		DATE	
SCALE: NONE		DATE	
SHEET 1 OF 1		DATE	
REV D		DATE	
SIZE B		DATE	
DWG NO. C105501		DATE	