

**APPLICATIONS:**

- ANALOG VOICE / VOIP / IPTV
- 10 / 100 / 1000 BASE-T ETHERNET
- IEEE 802.3 AF / AT PoE

**SPECIFICATIONS:**

- ANSI / TIA-568-C.2 CATEGORY 6
- ANSI / TIA-968-A
- IEC 60603-7

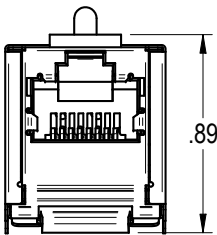
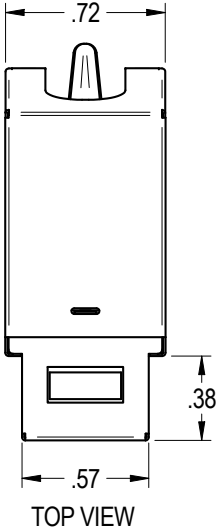
**MATERIALS:**

- JACK HOUSING: UL 94V-0 RATED THERMOPLASTIC
- SHIELD MATERIAL: .010-INCH THICK COPPER ALLOY
- SHIELD PLATING: 90 MICRO-INCH TIN OVER  
50-150 MICRO-INCH NICKEL SULFAMATE
- MODULAR INTERFACE MATING CONTACT
- MATERIAL: BERYLLIUM COPPER
- PLATING: 50 MICRO-INCH (MIN) HARD GOLD  
OVER 100 MICRO-INCH (MIN) NICKEL OR  
APPROVED ALTERNATE PLATING PROCESS
- INSERTIONS / WITHDRAWALS: ≥750
- 110-STYLE IDC TERMINAL
- MATERIAL: PHOSPHOR BRONZE
- PLATING: 100 MICRO-INCH (MIN) MATTE TIN  
OVER 50 MICRO-INCH (MIN) NICKEL
- WIRE GAUGE RANGE: 22-26 AWG
- INSERTIONS / WITHDRAWALS: ≥200

**CODE & COMPLIANCE:**

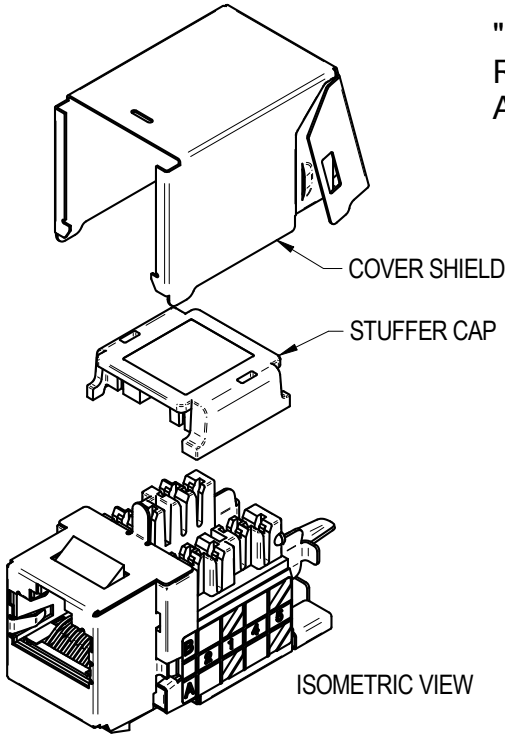
- UL LISTED
- CSA CERTIFIED
- E.U. RoHS DIRECTIVE 2002/95/EC COMPLIANT

"OPTICAL CABLE CORPORATION (OCC)  
RESERVES THE RIGHT TO REVISE ANY  
AND ALL DESIGN SPECIFICATIONS."

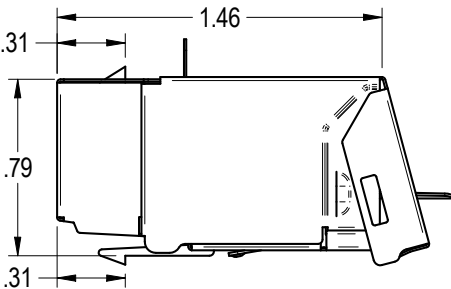


TOP VIEW

FRONT VIEW

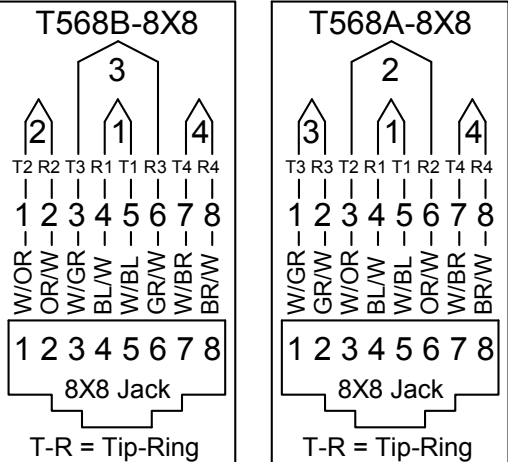


ISOMETRIC VIEW



RIGHT SIDE VIEW

**8 POSITION MODULAR JACK**



THIRD ANGLE PROJECTION 	UNLESS OTHERWISE SPECIFIED DIMENSIONS ARE IN INCHES. TOLERANCES: FRACTIONS ±1/32" ANGLES ±1/2° 3 PLACE DECIMALS ±.005" 2 PLACE DECIMALS ±.01"	THIS DRAWING AND THE DESIGN SHOWN ARE THE PROPERTY OF OPTICAL CABLE CORPORATION AND MAY NOT BE USED AS THE BASIS FOR MANUFACTURE OR SALE WITHOUT SPECIFIC WRITTEN PERMISSION OF OPTICAL CABLE CORPORATION.	KMJA602S JACK, KMJ, CAT6, SHLD,NARROW, OCC
	MATERIAL SEE NOTES	DRAWN S. SEO DATE 4/27/06 CHECKED J. MALTAIS DATE 5/21/07 ENGINEER S.SEO DATE 4/27/06 APPROVED J.CALLOWAY DATE 11/13/14 PREVIOUS DWG NEXT DWG	OCC PART NO. DESCRIPTION 33 Superior Way Swannanoa, NC 28778 Phone: 828-298-2260 Fax: 828-298-2487 www.occfiber.com
CRITICAL DIMENSION CODE (F) = FUNCTION (M) = MATING (A) = AUDIT	FINISH SEE NOTES	DWG TITLE CUSTOMER DRAWING, JACK ASSY, KMJ, CAT 6, SHIELDED, NARROW, OCC	SIZE B DWG NO. <b>C107631</b> SCALE: NONE SHEET 1 OF 1

**UNCONTROLLED COPY**