

**APPLICATIONS:**

- ANALOG VOICE / VOIP / IPTV
- 10 / 100 / 1000 BASE-T ETHERNET
- IEEE 802.3 AF / AT PoE

**SPECIFICATIONS:**

- ANSI / TIA-568-C.2 CATEGORY 5e LINK AND CHANNEL
- ANSI / TIA-968-A
- IEC 60603-7

**MATERIALS:**

- JACK HOUSING: UL 94V-0 RATED THERMOPLASTIC MODULAR INTERFACE MATING CONTACT
- MATERIAL: BERYLLIUM COPPER
- PLATING: 50 MICRO-INCH (MIN) HARD GOLD OVER 100 MICRO-INCH (MIN) NICKEL OR APPROVED ALTERNATE PLATING PROCESS
- INSERTIONS / WITHDRAWALS: ≥750
- 110-STYLE IDC TERMINAL
- MATERIAL: PHOSPHOR BRONZE
- PLATING: 100 MICRO-INCH (MIN) MATTE TIN OVER 50 MICRO-INCH (MIN) NICKEL
- WIRE GAUGE RANGE: 22-26 AWG
- INSERTIONS / WITHDRAWALS: ≥200

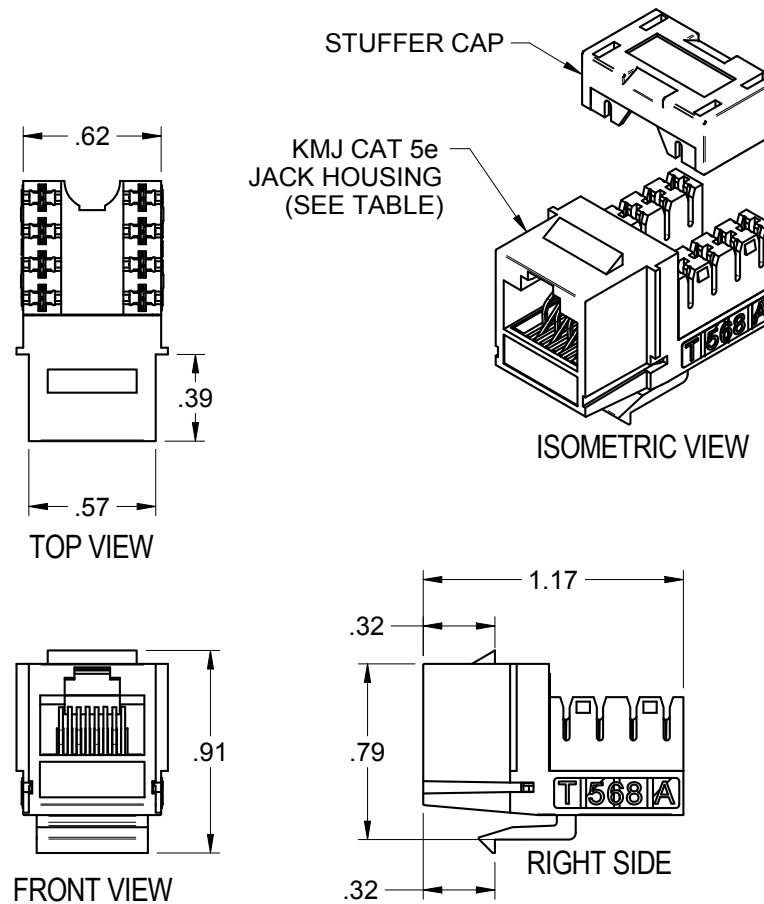
**CODE & COMPLIANCE:**

- UL LISTED
- CSA CERTIFIED
- E.U. RoHS DIRECTIVE 2002/95/EC COMPLIANT

**COLOR TABLE**

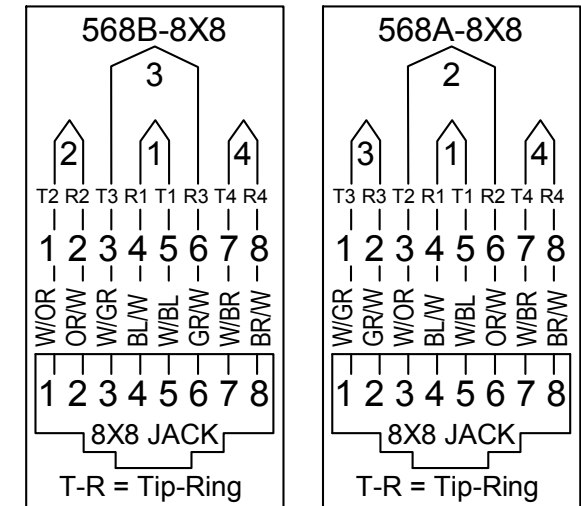
KMJ HOUSING "XX"	"XX"
ELEC. IVORY	00
OFFICE WHITE	01
BLACK	02
RED	03
GREEN	04
BLUE	05
GRAY	06
ORANGE	08
YELLOW	09
PURPLE	10
BROWN	11
BRT. WHITE	12

**UNCONTROLLED COPY**



"OPTICAL CABLE CORPORATION (OCC) RESERVES THE RIGHT TO REVISE ANY AND ALL DESIGN SPECIFICATIONS."

**8 Position Modular Jack**



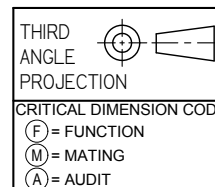
KMJVL8A/B"XX"	JACK, KMJ, LEADFRAME, UNIV, CAT5E, "COLOR", OCC
OCC PART NO.	DESCRIPTION

UNLESS OTHERWISE SPECIFIED DIMENSIONS ARE IN INCHES. TOLERANCES: FRACTIONS ±1/32" ANGLES ±1/2° 3 PLACE DECIMALS ±.005" 2 PLACE DECIMALS ±.01"

THIS DRAWING AND THE DESIGN SHOWN ARE THE PROPERTY OF OPTICAL CABLE CORPORATION AND MAY NOT BE USED AS THE BASIS FOR MANUFACTURE OR SALE WITHOUT SPECIFIC WRITTEN PERMISSION OF OPTICAL CABLE CORPORATION.



33 Superior Way  
Swannanoa, NC 28778  
Phone: 828-298-2260  
Fax: 828-298-2487  
www.occfiber.com



MATERIAL SEE NOTES	FINISH SEE NOTES	DRAWN D.A.HOLBERT	DATE 7/30/01
		CHECKED R.B.SMITH	DATE 11/15/01
		ENGINEER J.YANIK	DATE 7/30/01
		APPROVED J.CALLOWAY	DATE 11/18/14
		PREVIOUS DWG	
		NEXT DWG	

DWG TITLE <b>CUSTOMER DRAWING, KMJ, LEADFRAME, CAT 5e, OCC</b>			
SIZE <b>B</b>	DWG NO. <b>C102120</b>	REV <b>N</b>	
SCALE: NONE	SHEET 1 OF 1		

FILENAME C102120N.DFT